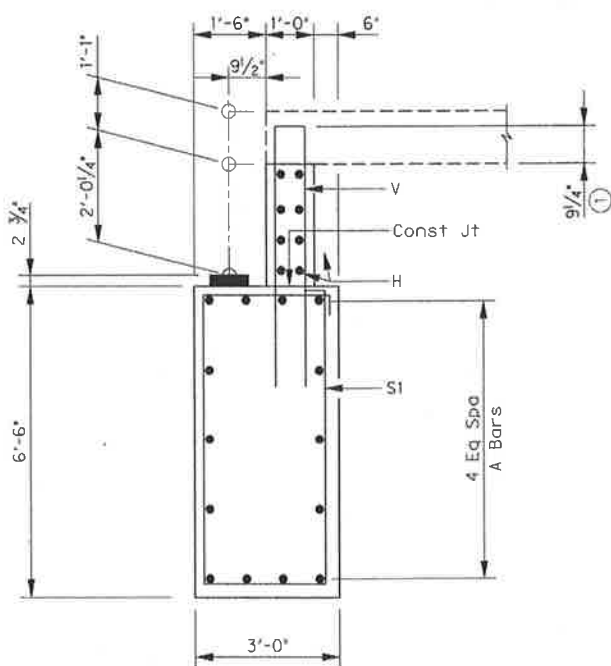
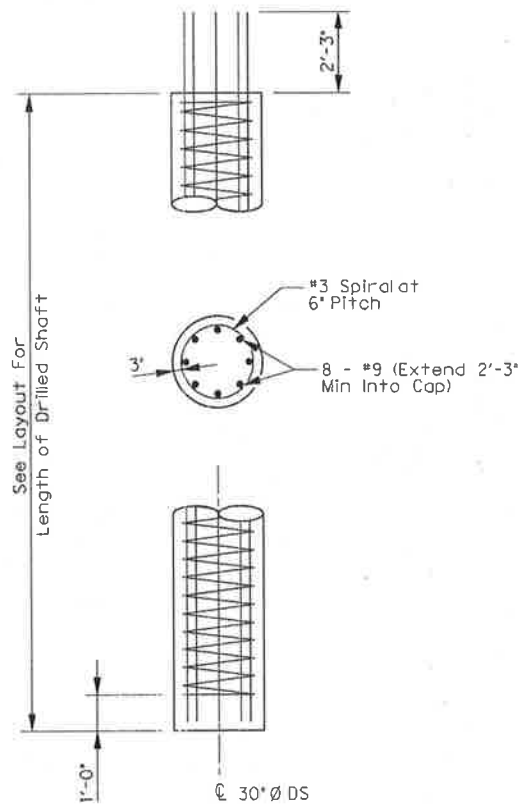
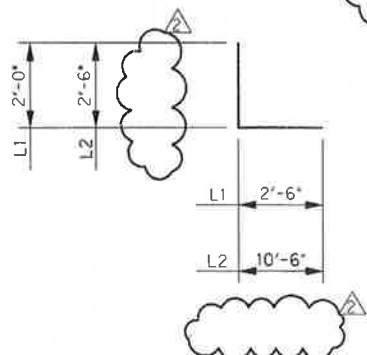


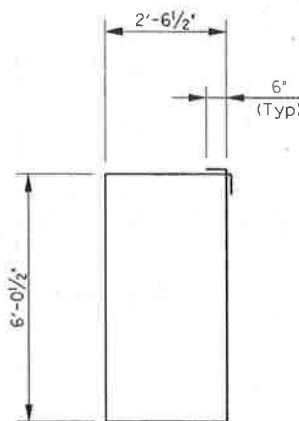
DRILLED SHAFT DETAILS  
SCALE: 3/8" = 1'-0"



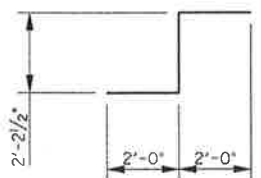
SECTION A-A  
SCALE: 1/2" = 1'-0"



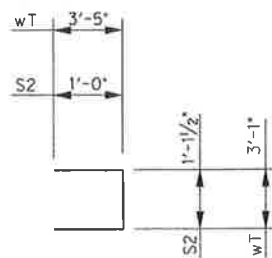
BARS L1, L2, and sL



BARS S1

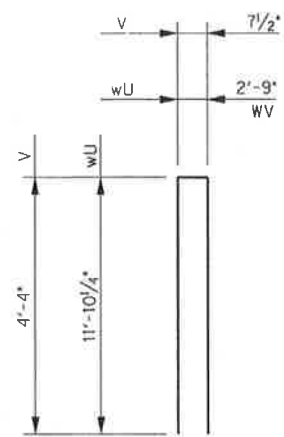


BARS wZ

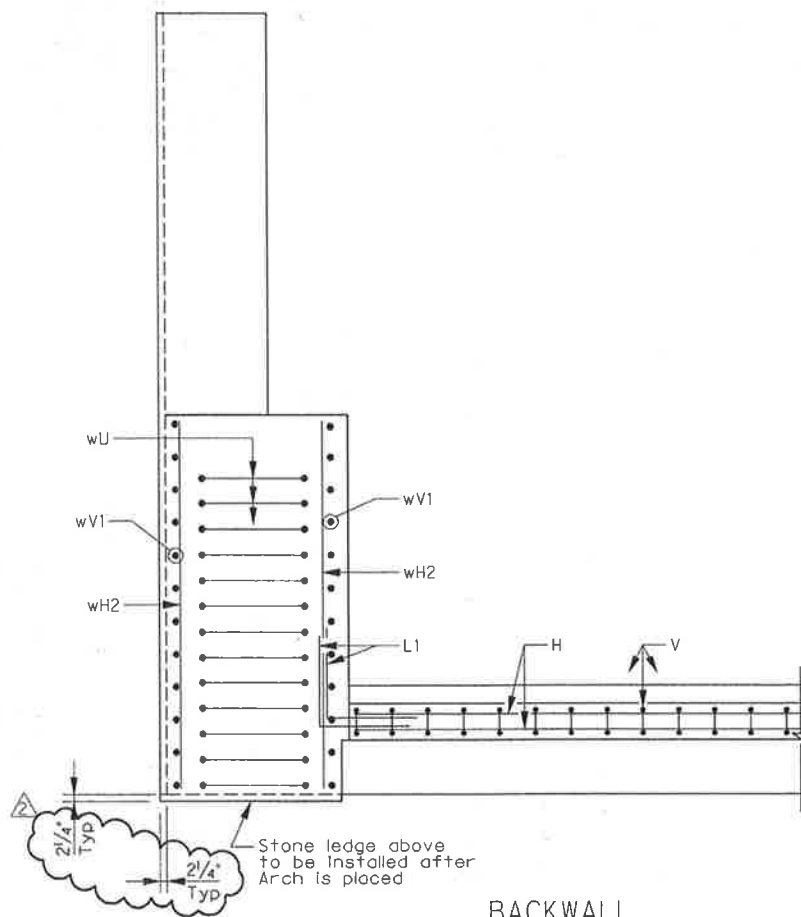


BARS S2 AND wT

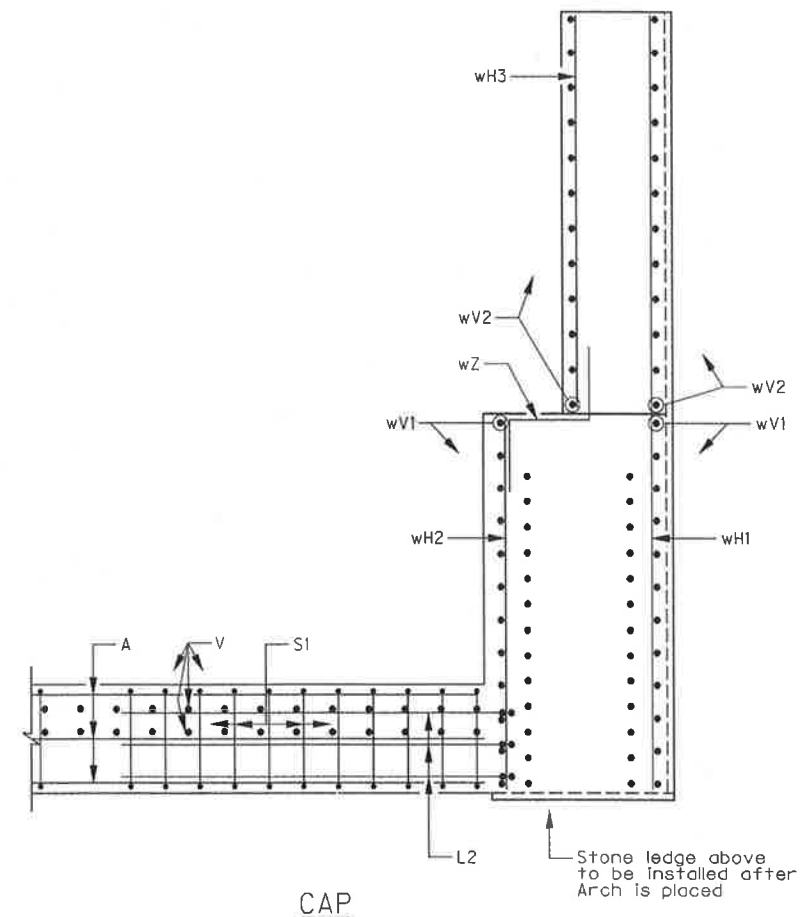
CORNER DETAILS  
SCALE: 3/8" = 1'-0"



BARS V AND wU



BACKWALL



CAP

① Increase as required to maintain 3 3/4" from finished grade.

05-19-10



THE SEAL APPEARING ON THIS DOCUMENT WAS AUTHORIZED BY ERIC S. CHRISTENSEN, P.E. #85412 ON 05-19-2010. ALTERATION OF A SEALED DOCUMENT WITHOUT PROPER NOTIFICATION TO THE RESPONSIBLE ENGINEER IS AN OFFENSE UNDER THE TEXAS ENGINEERING PRACTICE ACT. THE RECORD COPY OF THIS DRAWING IS ON FILE AT THE OFFICES OF HALFF ASSOCIATES, 1001 NORTH BOWSER ROAD, RICHARDSON, TEXAS, 75081, TOLL FREE 1-800-392-3122.

Addendum #2		ESC	05/19/10
NO.	REVISION	BY	DATE
TOWN OF ADDISON DALLAS COUNTY, TEXAS			
VITRUVIAN PARK BRIDGES BELLA LANE			
<b>ABUTMENT DETAILS SECTIONS</b>			
PROJECT	DESIGN	DRAWN	DATE
27379	ESC	AHH	APRIL 2010
FILE	SHEET		
	S2-06		