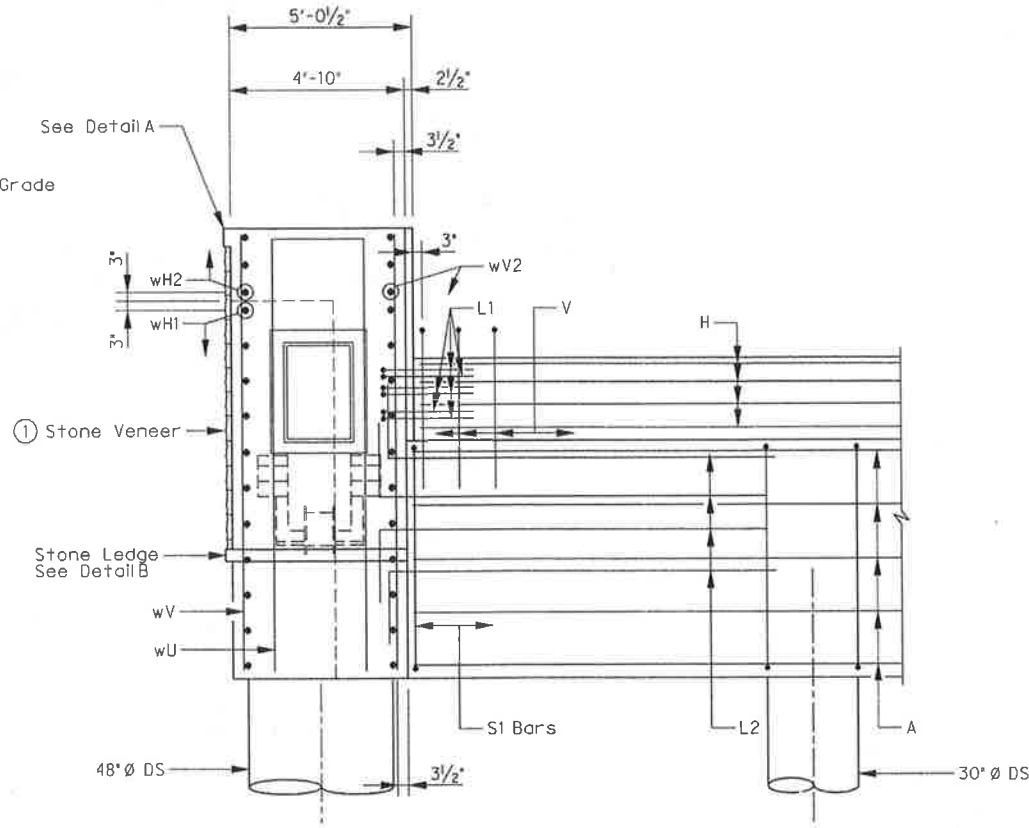


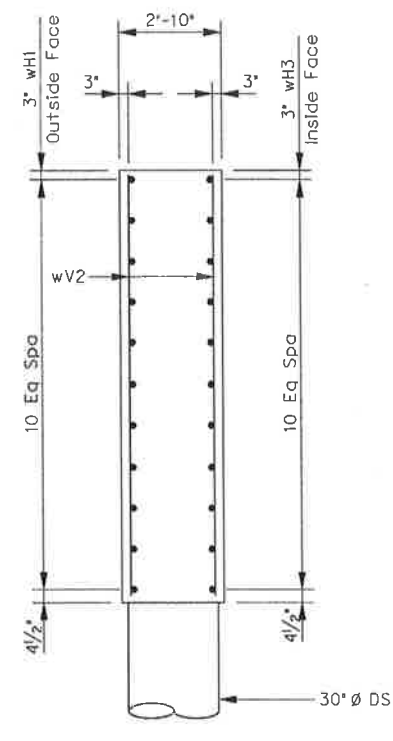
WINGWALL ELEVATION
SCALE: 3/8" = 1'-0"

③ Precast ledge to be installed after arch is erected. See Note 2 below for attachment.

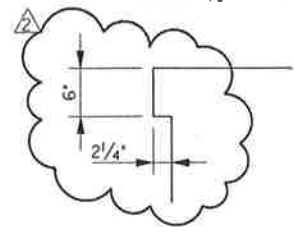


SECTION A-A
SCALE: 3/8" = 1'-0"

① Stone ledge shall be a 5 x 3 x 1/2" angle with 1/2" Ø Hilti Quik Bolt 3 expansion anchors embedded a minimum of 3/2" and spaced at 1'-6" C.C. Refer to landscape architecture sheets for location of stone veneer and stone ledges.



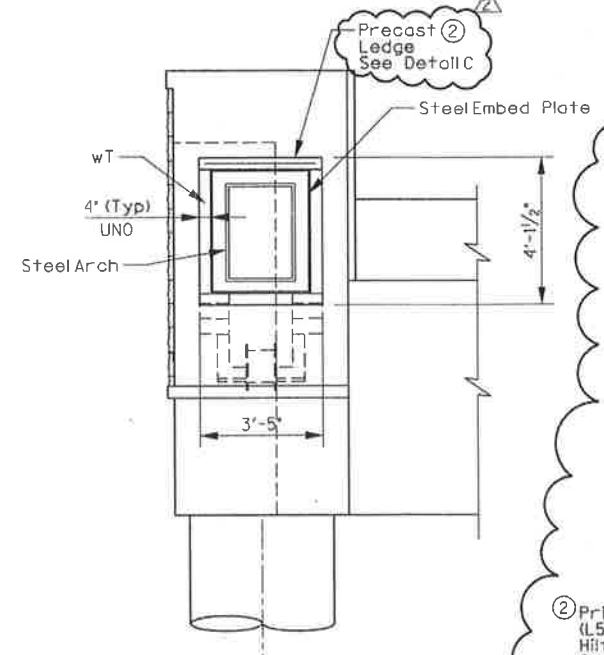
SECTION B-B
SCALE: 3/8" = 1'-0"



DETAIL A
SCALE: 3/8" = 1'-0"

TABLE A - WINGWALL LEDGE ELEVATIONS

NORTH ABUTMENT		SOUTH ABUTMENT	
EAST WW	WEST WW	EAST WW	WEST WW
557.0	555.0	557.0	555.0

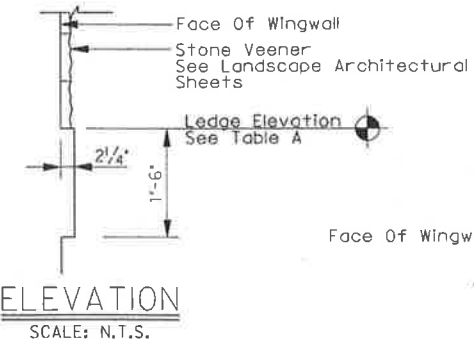


STONE COLLAR DETAILS
SCALE: 3/8" = 1'-0"

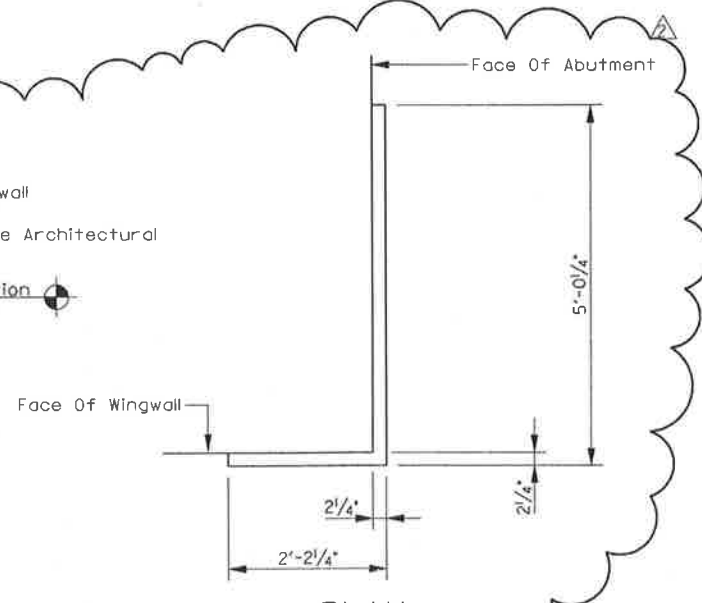
Note: See Wingwall Elevation and Section A-A for abutment details and reinforcing not shown.

Sikadur 31 HI-Mod Gel (1:1 Mix Ratio) Epoxy adhesive or equal as approved by the engineer. Apply adhesive to the entire back face of precast ledge and to the key way in the stem wall. Follow Manufacturer's written instructions for surface preparation. Form keyway in stem wall to fit the precast ledge as detailed.

DETAIL C
SCALE: N.T.S.



ELEVATION
SCALE: N.T.S.



PLAN
SCALE: N.T.S.

DETAIL B
SCALE: N.T.S.

② Prior to Arch Installation a temporary stone support (L5 x 3 x 1/4" (LLV)) shall be used. Installation with three 1/2" Ø Hilti Quik Bolt 3 expansion anchors embedded 3/2" min. Coordinate removal of stone veneer and temporary stone support with steel arch erector. Replace the temporary stone ledge with precast ledge after arch has been installed. At the Contractor's option, the stone veneer may be installed after the arch is fully erected. If this option is used, the temporary stone support (L5x3x1/4") is not needed. For either option, the precast ledge shall be installed only after the arch is fully erected.



THE SEAL APPEARING ON THIS DOCUMENT WAS AUTHORIZED BY ERIC S. CHRISTENSEN, P.E. #85412 ON 05-19-2010. ALTERATION OF A SEALED DOCUMENT WITHOUT PROPER NOTIFICATION TO THE RESPONSIBLE ENGINEER IS AN OFFENSE UNDER THE TEXAS ENGINEERING PRACTICE ACT. THE RECORD COPY OF THIS DRAWING IS ON FILE AT THE OFFICES OF HALFF ASSOCIATES, 1201 NORTH BOWSER ROAD, RICHARDSON, TEXAS, 75081. TYPE PRINT 17-312.

NO.	REVISION	BY	DATE

ADDENDUM #2

ESC 05/19/10

TOWN OF ADDISON
DALLAS COUNTY, TEXAS

VITRUVIAN PARK BRIDGES
BELLA LANE

ABUTMENT DETAILS
WINGWALL DETAILS

HALFF 1201 NORTH BOWSER ROAD, RICHARDSON, TEXAS 75081-2275
TEL (214) 346-8200 FAX (214) 738-0066

PROJECT	DESIGN	DRAWN	DATE	FILE	SHEET
27379	ESC	AHH	APRIL 2010	-	S2-07