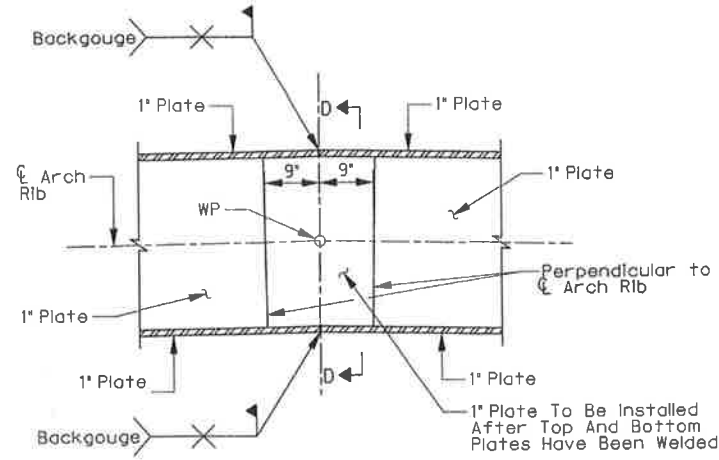
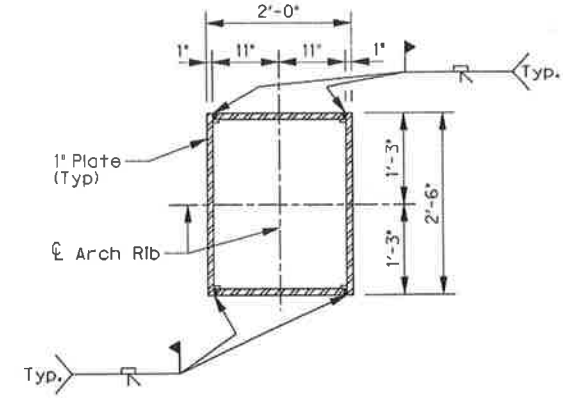


**SECTION THROUGH ARCH RIB**  
SCALE: 3/4" = 1'-0"



**FIELD SPLICE**  
SCALE: 3/4" = 1'-0"



**SECTION D-D**  
SCALE: 3/4" = 1'-0"



04.29.10  
THE SEAL APPEARING ON THIS DOCUMENT WAS AUTHORIZED BY ERIC S. CHRISTENSEN, P.E., BSCE, ON 04-29-2010, IN ATTENDANCE OF A SEALED DOCUMENT WITHOUT PROPER NOTIFICATION TO THE RESPONSIBLE ENGINEER IS AN OFFENSE UNDER THE TEXAS ENGINEERING PRACTICE ACT. THE RECORD COPY OF THIS DRAWING IS ON FILE AT THE OFFICES OF HALFF ASSOCIATES, 1201 NORTH BOWSER ROAD, RICHARDSON, TEXAS, 75081, TYPE FIRM "F-312."

NO.	REVISION	BY	DATE		
<b>TOWN OF ADDISON</b> DALLAS COUNTY, TEXAS					
<b>VITRUVIAN PARK BRIDGES</b> BELLA LANE					
<b>ARCH DETAILS</b>					
<b>HALFF</b> 1201 NORTH BOWSER ROAD, RICHARDSON, TEXAS 75081-2276 TEL (214) 348-8200 FAX (214) 739-0095					
PROJECT	DESIGN	DRAWN	DATE	FILE	SHEET
27379	ESC	AHH	APRIL 2010	-	S2-20