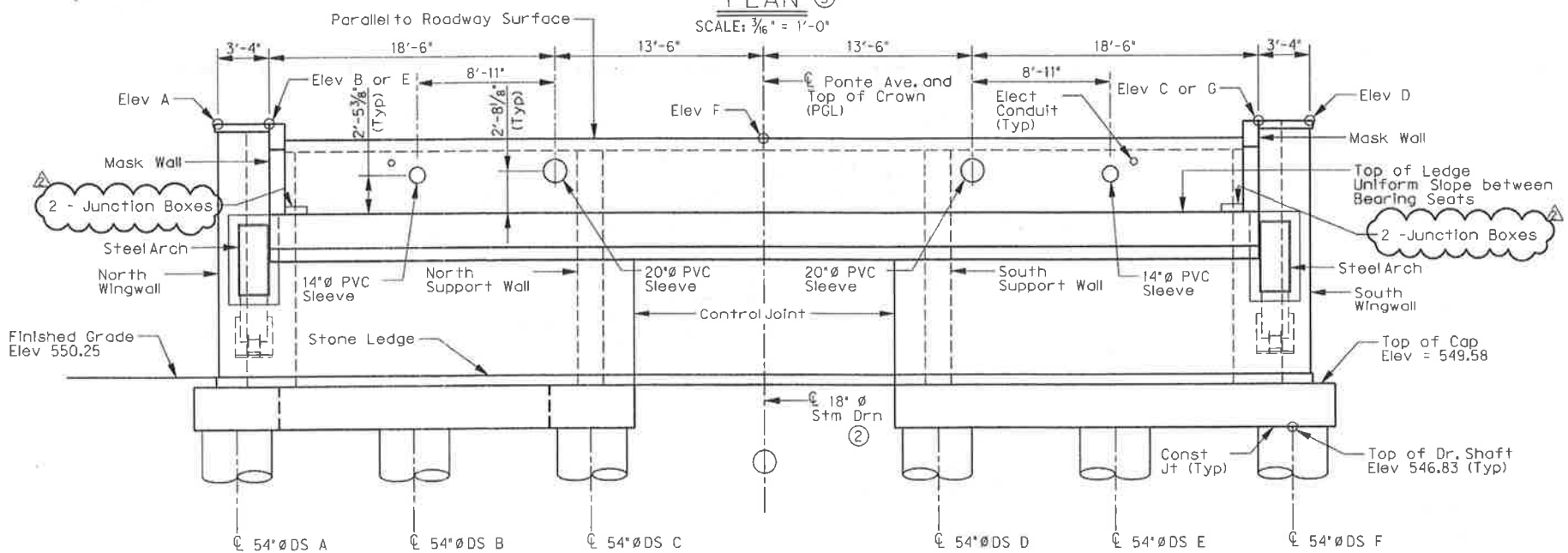


PLAN 3

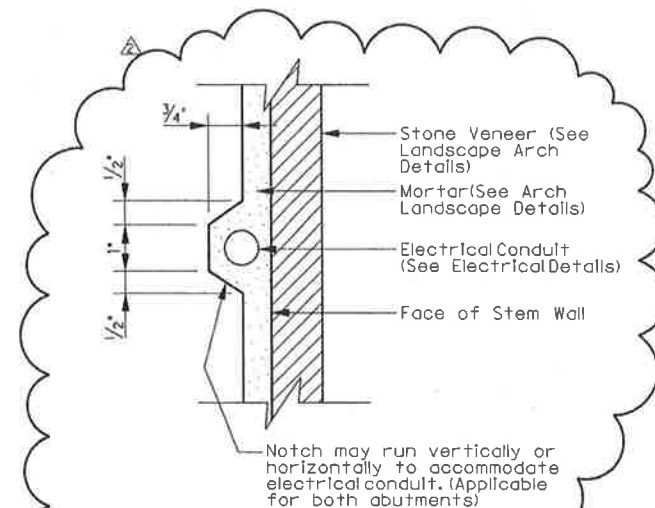
SCALE: 3/16" = 1'-0"



ELEVATION

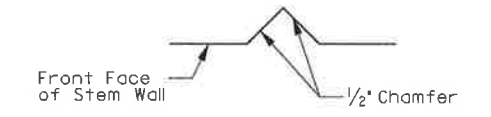
SCALE: 3/16" = 1'-0"

General Notes:
See sheet 1 of 10 for General Notes.



CONDUIT NOTCH DETAIL

SCALE: NTS



CONTROL JOINT DETAIL

SCALE: NTS

- ① End Bridge Frnt Face of Abut. No. 2 Bkwl Sta 25+65.50
- ② Not in Contract
- ③ Steelarch embeds not shown in plan for clarity.



THE SEAL APPEARING ON THIS DOCUMENT WAS AUTHORIZED BY ERIC S. CHRISTENSEN, P.E. #85412 ON 05-19-2010. ALTERATION OF A SEALED DOCUMENT WITHOUT PROPER NOTIFICATION TO THE RESPONSIBLE ENGINEER IS AN OFFENSE UNDER THE TEXAS ENGINEERING PRACTICE ACT. THE RECORD COPY OF THIS DRAWING IS ON FILE AT THE OFFICES OF HALFF ASSOCIATES, 1201 NORTH BOWSER ROAD, RICHARDSON, TEXAS, 75081, TELE: 972-346-8200.

Addendum #2		ESC	05/19/10
NO.	REVISION	BY	DATE
VITRUVIAN PARK BRIDGES PONTE AVENUE			
ABUTMENT NO. 2 PLAN AND ELEVATION			
		1201 NORTH BOWSER ROAD, RICHARDSON, TEXAS 75081-2275 TEL (214) 346-8200 FAX (214) 739-0065	
PROJECT	DESIGN	DRAWN	DATE
27379	ESC	AHH	APRIL 2010
FILE	SHEET		
-	S1-06		