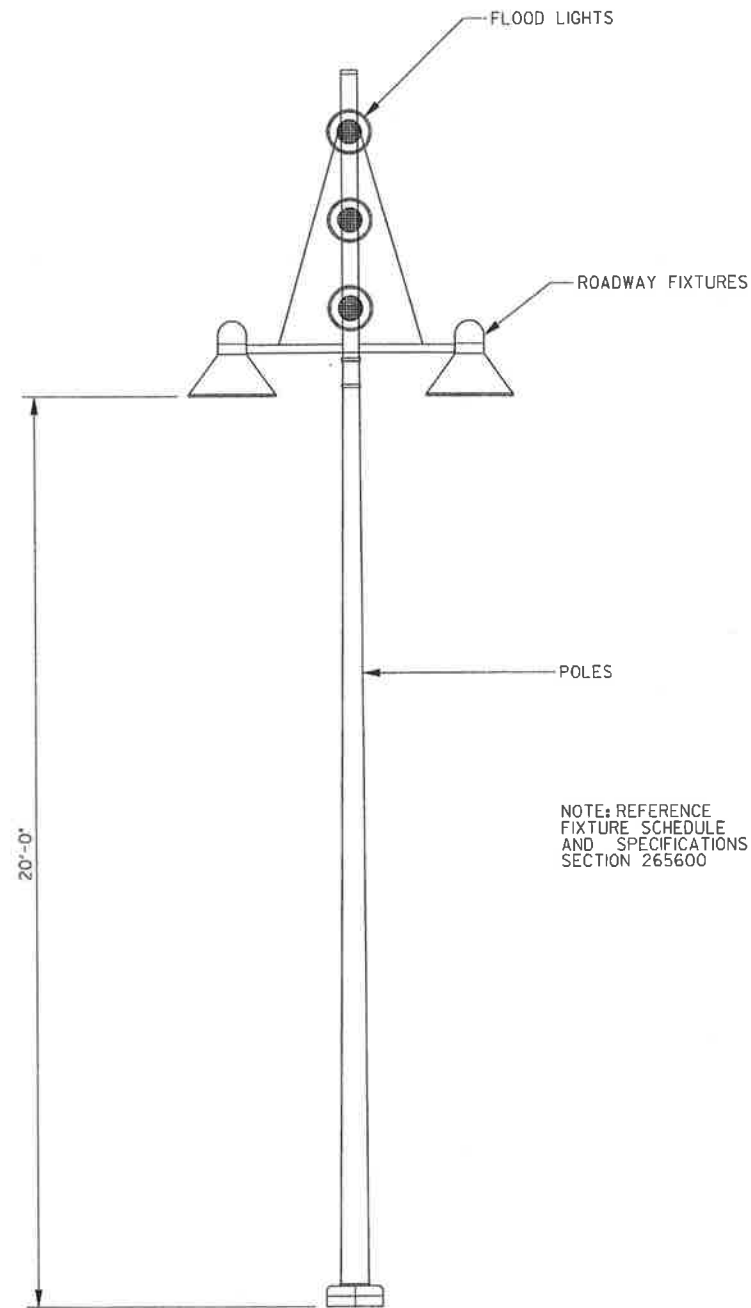


02 MOUNTING TYPE D
NOT TO SCALE



NOTE: REFERENCE
FIXTURE SCHEDULE
AND SPECIFICATIONS
SECTION 265600

01 TYPE A
NOT TO SCALE



THE SEAL APPEARING ON THIS DOCUMENT WAS AUTHORIZED BY DIANNE M. POPKEN, P.E. #41979 ON 04-29-2010. ALTERATION OF A SEALED DOCUMENT WITHOUT PROPER NOTIFICATION TO THE RESPONSIBLE ENGINEER IS AN OFFENSE UNDER THE TEXAS ENGINEERING PRACTICES ACT. THE RECORD COPY OF THIS DRAWING IS ON FILE AT THE OFFICES OF HALFF ASSOCIATES, 1201 NORTH BOWSER ROAD, RICHARDSON, TEXAS 75081. TIPC FORM #1-310.

4-28-10

NO.	REVISION	BY	DATE		
TOWN OF ADDISON DALLAS COUNTY, TEXAS					
VITRUVIAN PARK BRIDGES PONTE AVENUE					
ELECTRICAL DETAILS					
1201 NORTH BOWSER ROAD, RICHARDSON, TEXAS 75081-2276 TEL (214) 348-6200 FAX (214) 738-0065					
PROJECT	DESIGN	DRAWN	DATE	FILE	SHEET
27379		AHH	APRIL 2010	-	E1-03