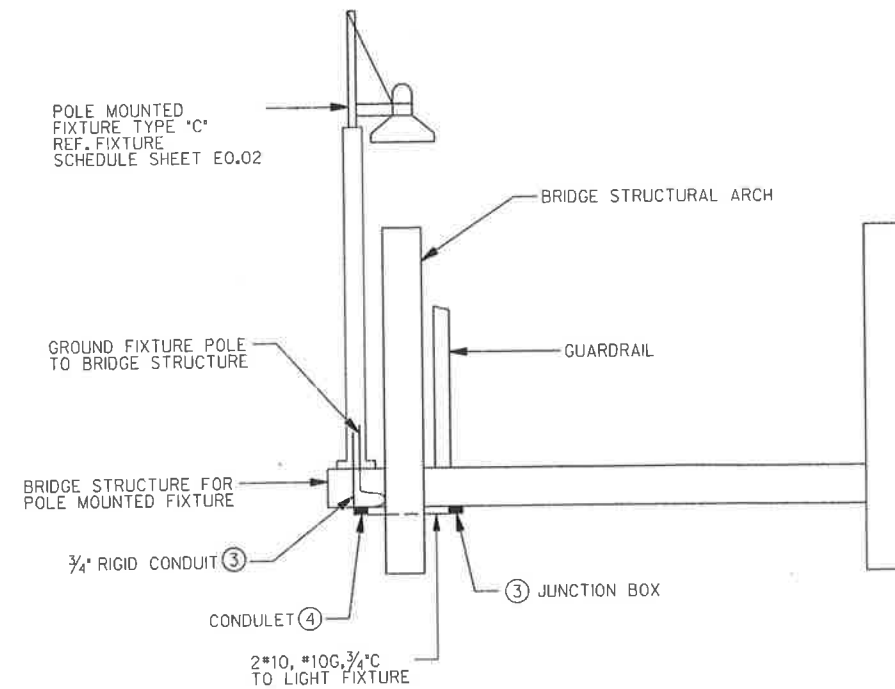
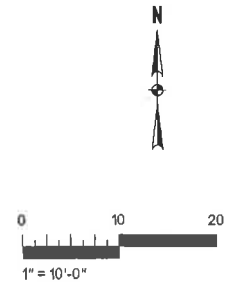


01 PLAN
SCALE: 1" = 10'-0"



02 BRIDGE SECTION
NOT TO SCALE



GENERAL NOTES

- A. THE LIGHTING DESIGN FOR THE NEW SOUTH PEDESTRIAN BRIDGE WILL REQUIRE SOME CHANGES TO THE PARK LIGHTING & ELECTRICAL DESIGN REPRESENTED ON SHEET C803 OF THE PARK AND STREETSCAPE IMPROVEMENTS FOR THE VITRUVIAN PARK PUBLIC INFRASTRUCTURE - PHASE 1C. THE NECESSARY CHANGES IN THE PHASE 1C DESIGN WILL BE PERFORMED BY THE CONTRACTOR FOR THE PHASE 1C CONSTRUCTION. THE CHANGES ARE REPRESENTED ON THIS DESIGN PLAN SO THE CONTRACTOR WILL HAVE EASY ACCESS TO THE RELEVANT DATA WHILE BIDDING AND DURING CONSTRUCTION COORDINATION.
- B. PROVIDE THE POLE MOUNTED FIXTURES LOCATED ON THE BRIDGE. COORDINATE THE INSTALLATION OF THE FIXTURES WITH THE BRIDGE MANUFACTURER.
- C. PROVIDE ALL CONDUIT AND CONDUCTORS ON THE BRIDGE FOR THE FIXTURES MOUNTED ON THE BRIDGE.
- D. POWER TO THE SOUTH PEDESTRIAN BRIDGE IS PROVIDED UNDER THE PHASE 1C CONTRACT AND IS NOT A PART OF THIS CONTRACT.
- E. COORDINATE THE CONNECTION OF THE BRIDGE CIRCUITS TO THE PHASE 1C CIRCUITS WITH THE PHASE 1C CONTRACTOR.
- F. REFERENCE THE LEGEND NOTES FOR THE SPECIFIC LIMITS OF CONSTRUCTION UNDER THIS CONTRACT.

LEGEND NOTES

- 1. FOUR FIXTURES TYPE SE PROVIDING SUSPENDED STRAND LIGHTING AND ASSOCIATED TRANSFORMERS SE-T WILL BE DELETED FROM THE PHASE 1C CONTRACT.
- 2. PROVIDE THREE BRIDGE MOUNTED FIXTURES TYPE "C".
- 3. ALL CONDUIT UNDER BRIDGE SHALL BE RIGID STEEL GALVANIZED. JUNCTION BOXES SHALL BE MALLEABLE IRON WITH HUBS FOR THREADED RIGID STEEL CONDUIT WITH WEATHERPROOF CAST COVER AND NEOPRENE GASKET.
- 4. PROVIDE 1/2" CONDULET OF CAST MALLEABLE IRON WITH THREADED HUBS FOR USE WITH RIGID STEEL CONDUITS AND WITH CAST COVERS AND SS SCREWS.



THE SEAL APPEARING ON THIS DOCUMENT WAS AUTHORIZED BY DIANNE M. POPKEN, P.E. #41979, ON 04-28-2010. ALTERATION OF A SEALED DOCUMENT WITHOUT PROPER NOTIFICATION TO THE RESPONSIBLE ENGINEER IS AN OFFENSE UNDER THE TEXAS ENGINEERING PRACTICE ACT. THE RECORD COPY OF THIS DRAWING IS ON FILE AT THE OFFICES OF HALFF ASSOCIATES, 1201 NORTH BOWSER ROAD, RICHARDSON, TEXAS. TOOL: TWP: FPM: 11-312.

NO.	REVISION	BY	DATE
TOWN OF ADDISON DALLAS COUNTY, TEXAS			
VITRUVIAN PARK BRIDGES SOUTH PEDESTRIAN BRIDGE			
ELECTRICAL PLAN			
HALFF 1201 NORTH BOWSER ROAD, RICHARDSON, TEXAS 76081-2275 TEL (214) 348-8200 FAX (214) 739-0096			
PROJECT	DESIGN	DRAWN	DATE
27379		AHH	APRIL 2010
FILE	SHEET		
-	E3-01		