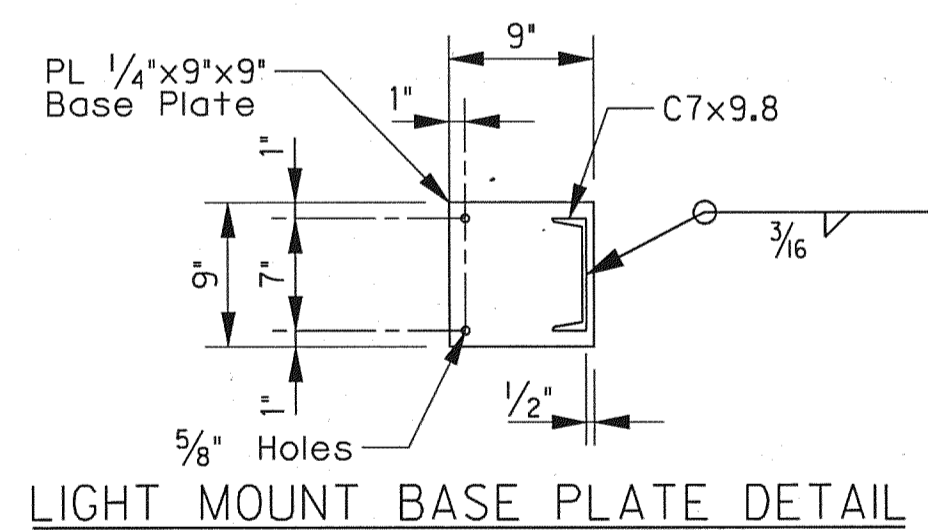
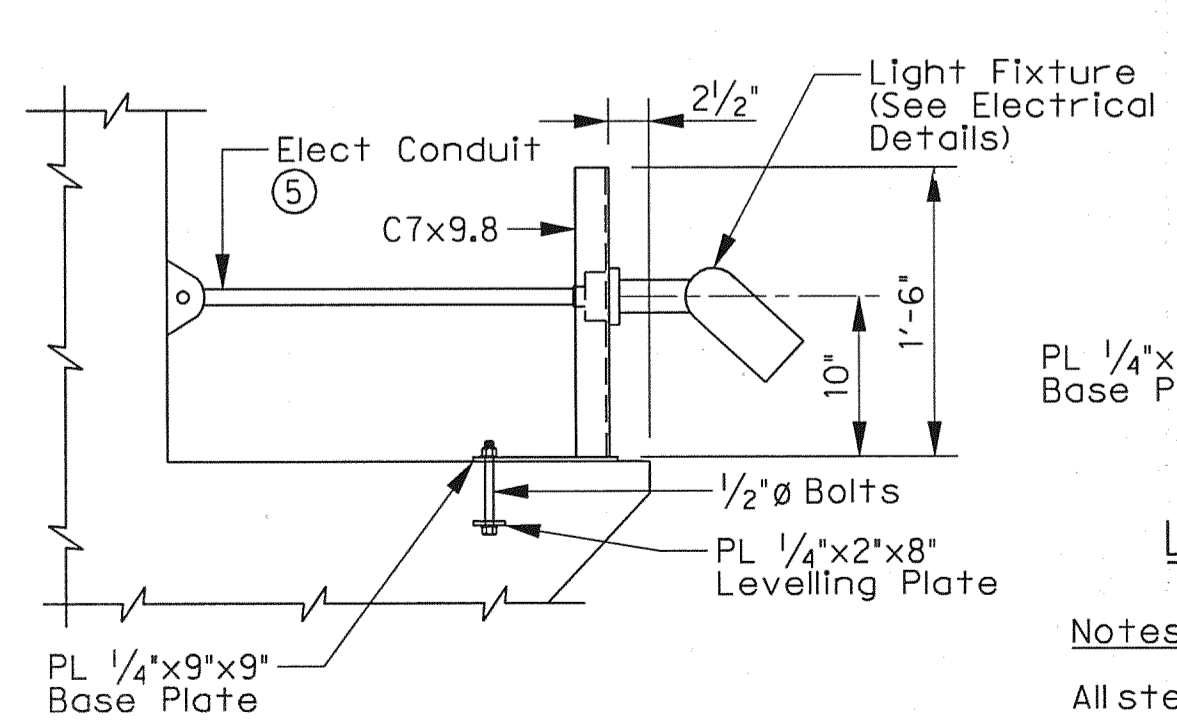


SECTION A-A (CAP)
SCALE: 1/2" = 1'-0"

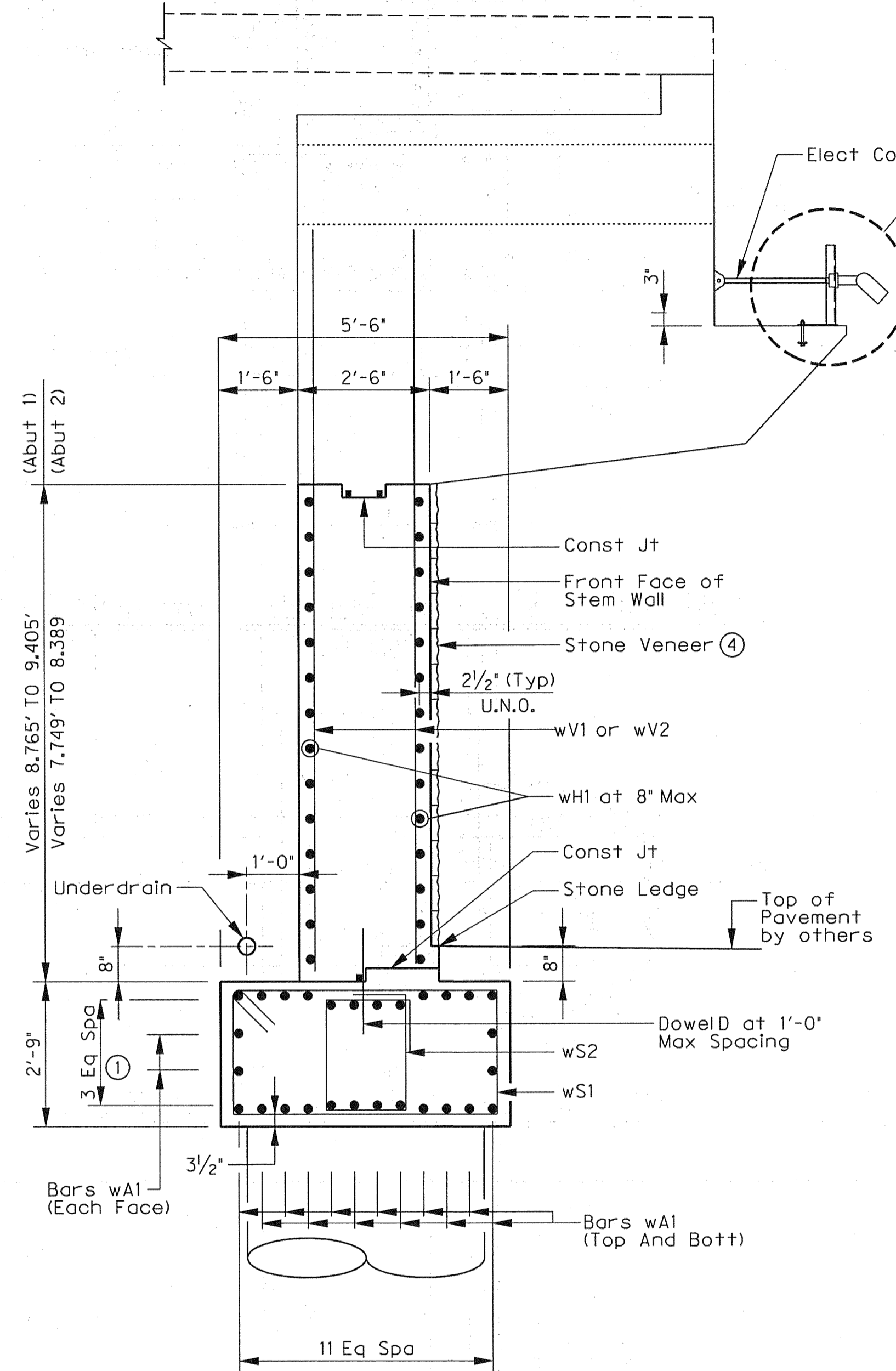


LIGHT MOUNT BASE PLATE DETAIL

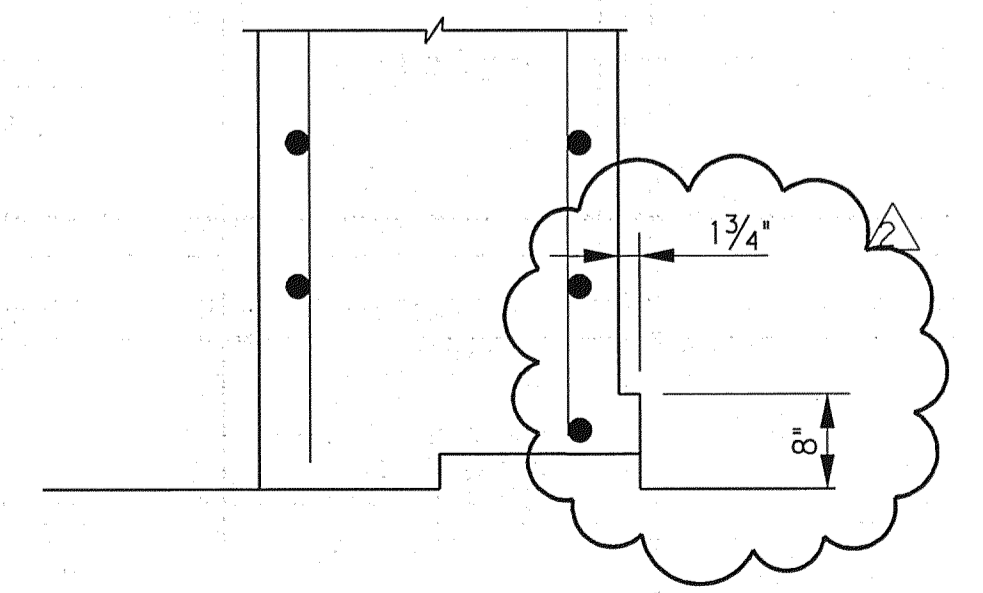


LIGHT MOUNTING DETAIL
SCALE: 1" = 1'-0"

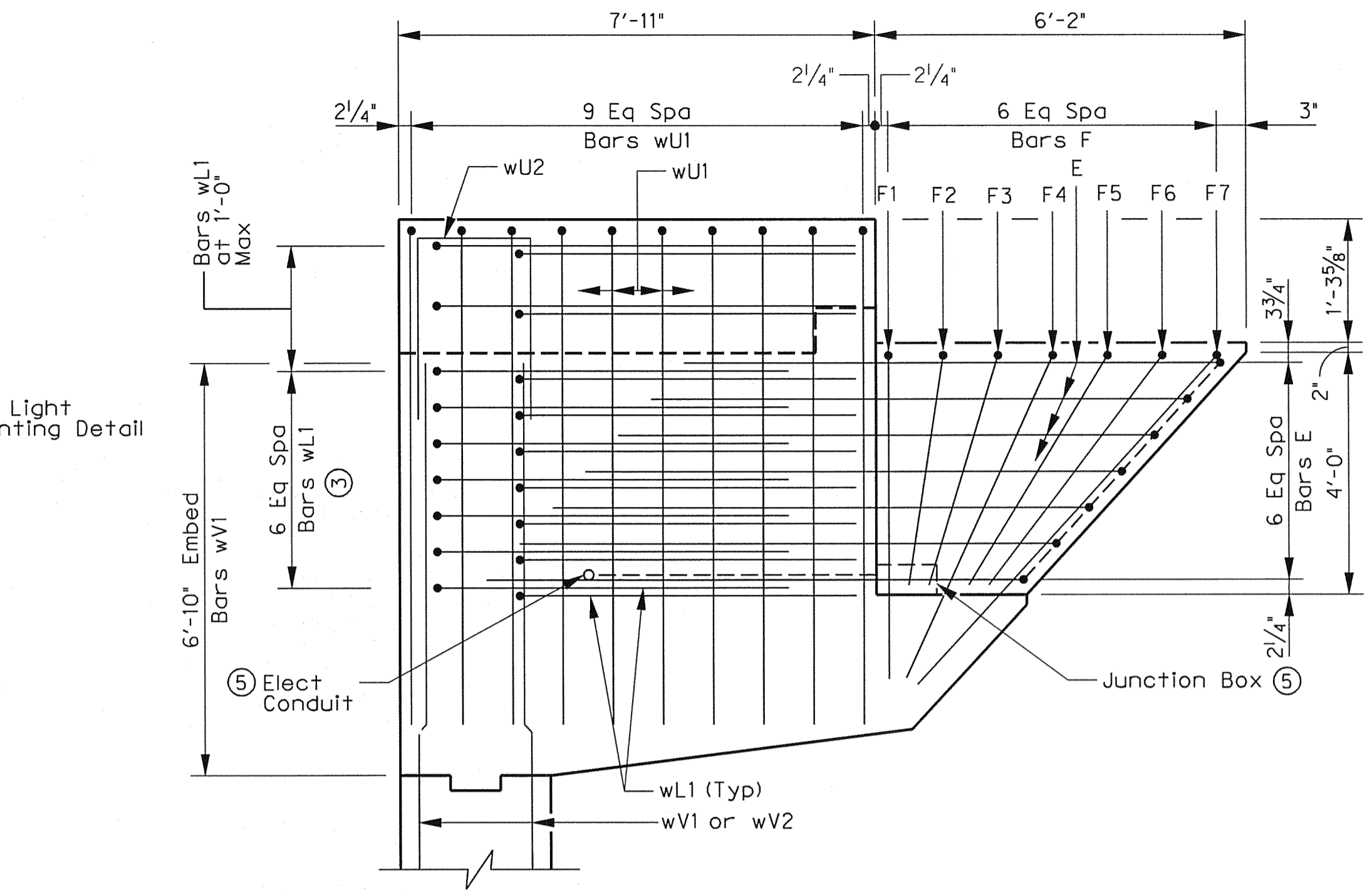
Notes:
All steel components shall be galvanized.
Two Light mounting supports shall be located as follows on both abutments:
centered between Bm Nos 2 and 3
centered between Bm Nos 5 and 6



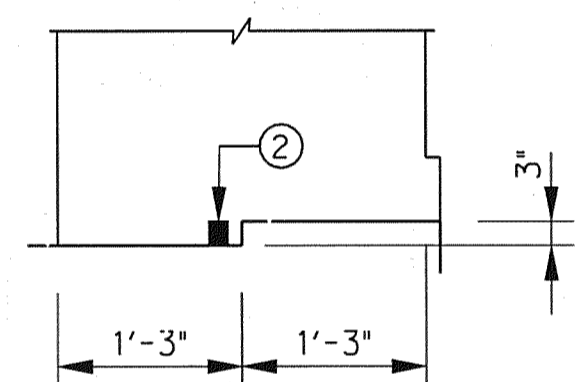
SECTION A-A (STEM WALL & FOOTING)
SCALE: 1/2" = 1'-0"



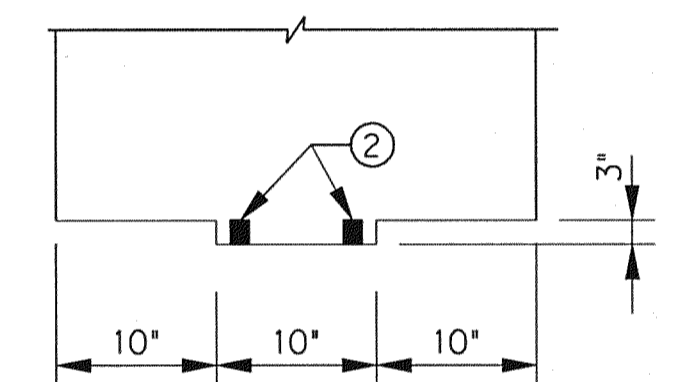
STONE LEDGE DETAIL AT CAP
SCALE: NTS



MASK WALL DETAIL
SCALE: 1/2" = 1'-0"

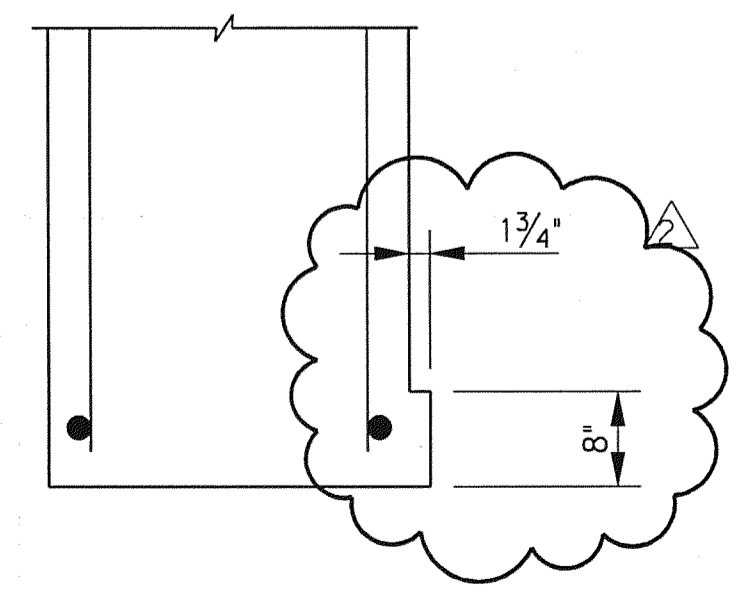


BOTTOM CONST JT DETAIL
SCALE: NTS

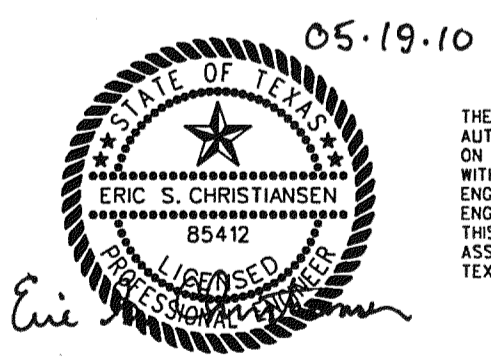


TOP CONST JT DETAIL
SCALE: NTS

- ① Adjust top and bottom rows of Bars wA1 to allow for embedment of wA2 and wA3 from support wall and wingwall footings.
- ② Greenstreak 1" x 3/4" Lockstop waterstop or approved equal
- ③ Lap Bars wL1 with Bars E where possible.
- ④ See landscape architecture drawings for stone veneer details.
- ⑤ See electrical drawings for details.



STONE LEDGE DETAIL OFF OF CAP
SCALE: NTS



THE SEAL APPEARING ON THIS DOCUMENT WAS AUTHORIZED BY ERIC S. CHRISTIANSEN, P.E. 85412 ON 05-19-2010, ALTERATION OF A SEALED DOCUMENT WITHOUT PROPER NOTIFICATION TO THE RESPONSIBLE ENGINEER IS AN OFFENSE UNDER THE TEXAS ENGINEERING PRACTICE ACT. THE RECORD COPY OF THIS DRAWING IS ON FILE AT THE OFFICES OF HALFF ASSOCIATES, 1201 NORTH BOWSER ROAD, RICHARDSON, TEXAS, 75081, TYPE FIRM #7-312.

Addendum #2		ESC	05/19/10
NO.	REVISION	BY	DATE
TOWN OF ADDISON DALLAS COUNTY, TEXAS VITRUVIAN PARK BRIDGES PONTE AVENUE			
ABUTMENT DETAILS - SECTIONS			
HALFF 1201 NORTH BOWSER ROAD, RICHARDSON, TEXAS 75081-2275 TEL (214) 346-6200 FAX (214) 739-0095			
PROJECT	DESIGN	DRAWN	DATE
27379	ESC	AHH	APRIL 2010
FILE	SHEET		
-	S1-07		