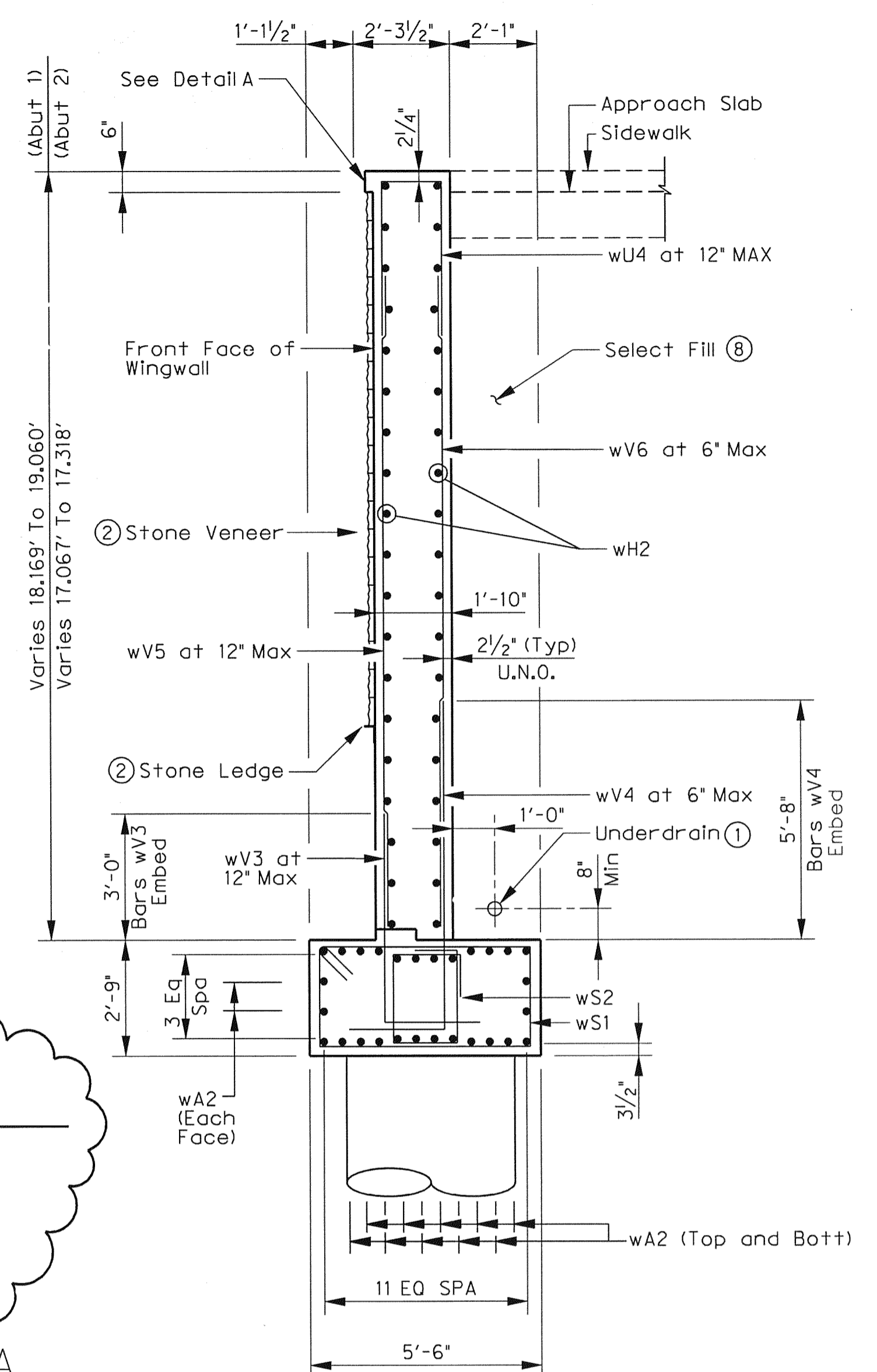
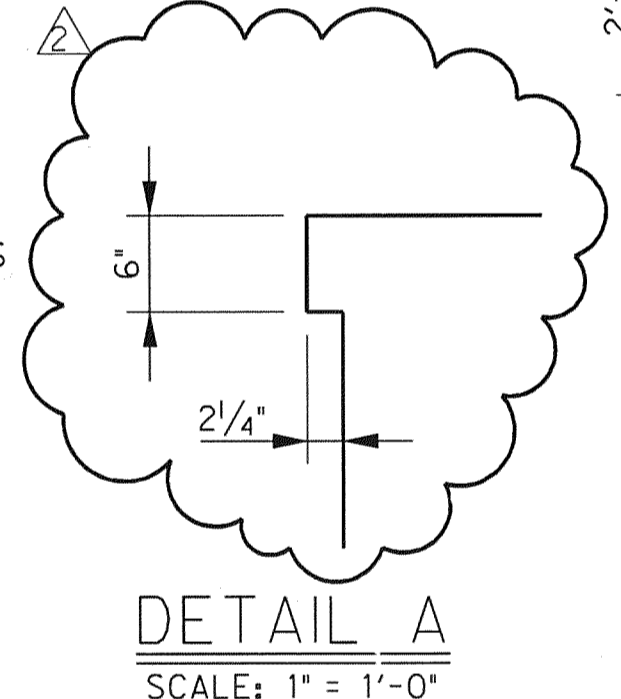


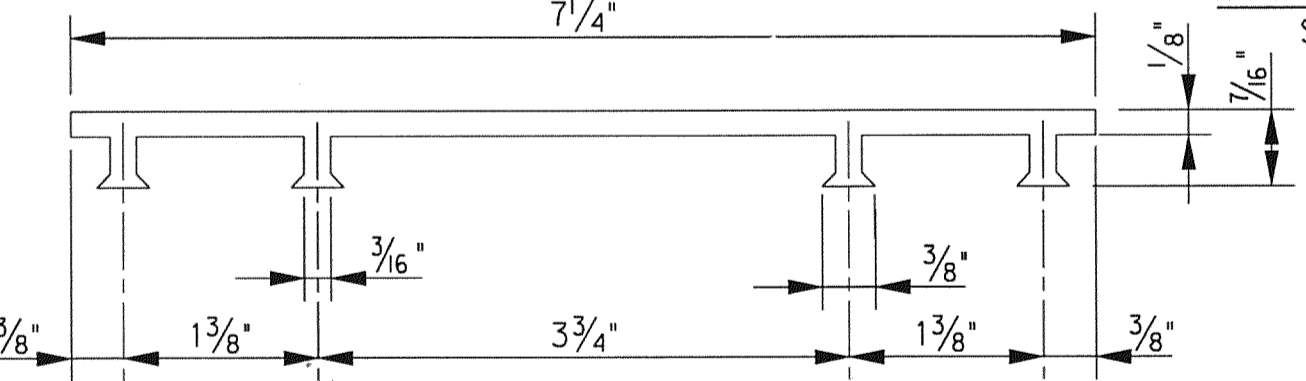
WINGWALL ELEVATION
SCALE: 3/8" = 1'-0"



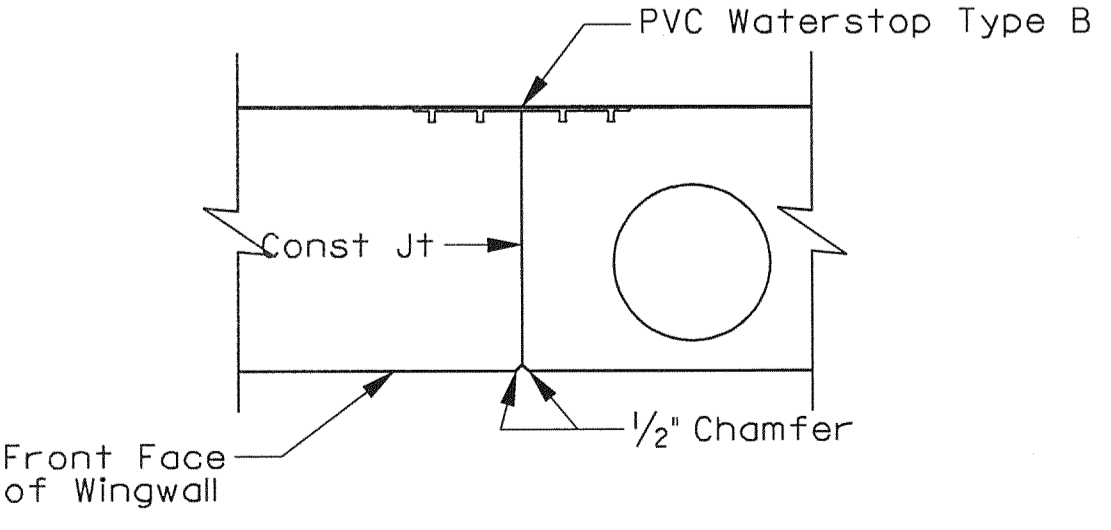
SECTION A-A
SCALE: 3/8" = 1'-0"



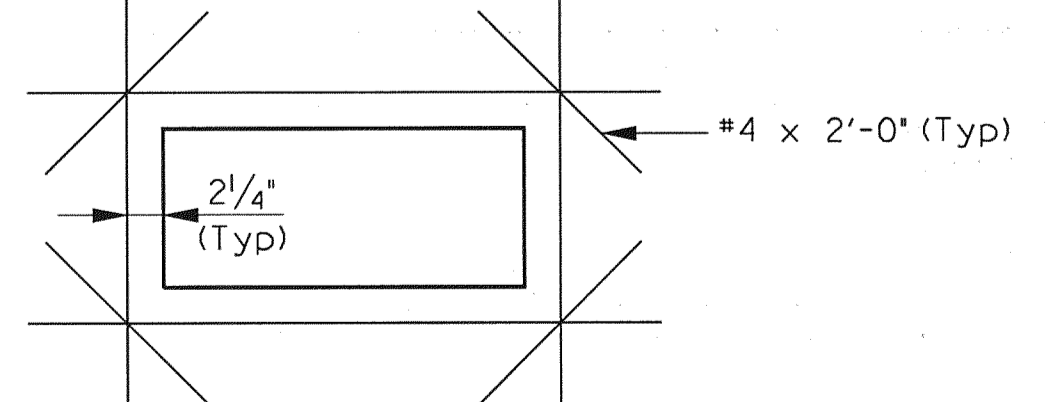
DETAIL A
SCALE: 1" = 1'-0"



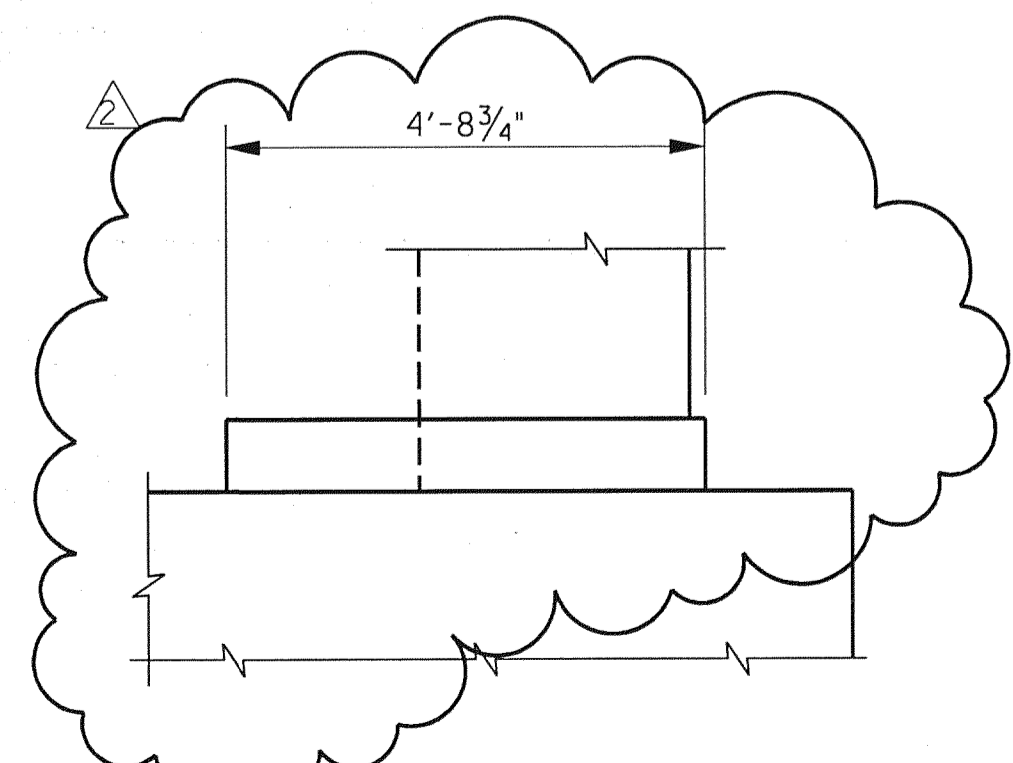
PVC WATERSTOP TYPE B
SCALE: NTS



WINGWALL CONSTRUCTION JOINT
SCALE: NTS



TYPICAL WALL PENETRATION
SCALE: NTS



DETAIL B
SCALE: NTS

- ① See Sheet 8 of 10 for underdrain detail.
- ② Stone ledge shall be a (5" x 3" x 1/4" angle (LLV) with 1/2" Hilti kwik Bolt 3 expansion anchors embedded a minimum of 3/2" and spaced at 1'-6" C.C. Refer to landscape architecture sheets for location of stone veneer and stone ledges.
- ③ Field cut bars wH2 2" from steelembed where applicable.
- ④ Flare top bars to match slope of wall.
- ⑤ See Drawing No. S1-23 and S1-24 for steelembed details.
- ⑥ See Sheet 6 of 10 for spacing of bars wG.
- ⑦ See Drawing No. S1-18 for stone collar details.
- ⑧ See Sheet 1 of 10 for select fill notes.
- ⑨ Location varies.
- ⑩ Bars sH2 and sL3 not shown for clarity.



05-19-10
THE SEAL APPEARING ON THIS DOCUMENT WAS AUTHORIZED BY ERIC S. CHRISTIANSEN, P.E. 85412 ON 05-19-2010. ALTERATION OF A SEALED DOCUMENT WITHOUT PROPER NOTIFICATION TO THE RESPONSIBLE ENGINEER IS AN OFFENSE UNDER THE TEXAS ENGINEERING PRACTICE ACT. THE RECORD COPY OF THIS DRAWING IS ON FILE AT THE OFFICES OF HALFF ASSOCIATES, 1201 NORTH BOWSER ROAD, RICHARDSON, TEXAS, 75081, TYPE FIRM # 312.

Addendum #2		ESC	05/19/10
NO.	REVISION	BY	DATE
TOWN OF ADDISON DALLAS COUNTY, TEXAS VITRUVIAN PARK BRIDGES PONTE AVENUE ABUTMENT DETAILS - WINGWALL DETAILS			
		1201 NORTH BOWSER ROAD, RICHARDSON, TEXAS 75081-2275 TEL (214) 346-6200 FAX (214) 739-0095	
PROJECT	DESIGN	DRAWN	DATE
27379	ESC	AHH	APRIL 2010
FILE	SHEET		
-	S1-09		