

USER: ch2441

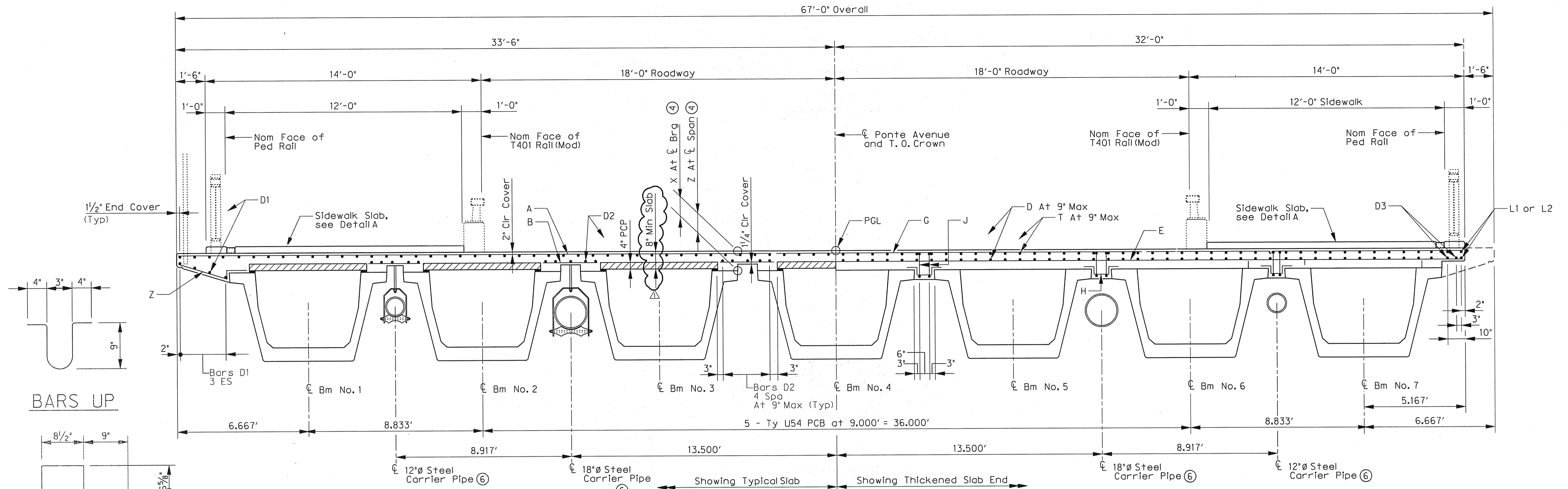
OFFICE: RCH

PROJECT #: 27379

FILE: 27379-SC-PONTEB-DD02.dgn

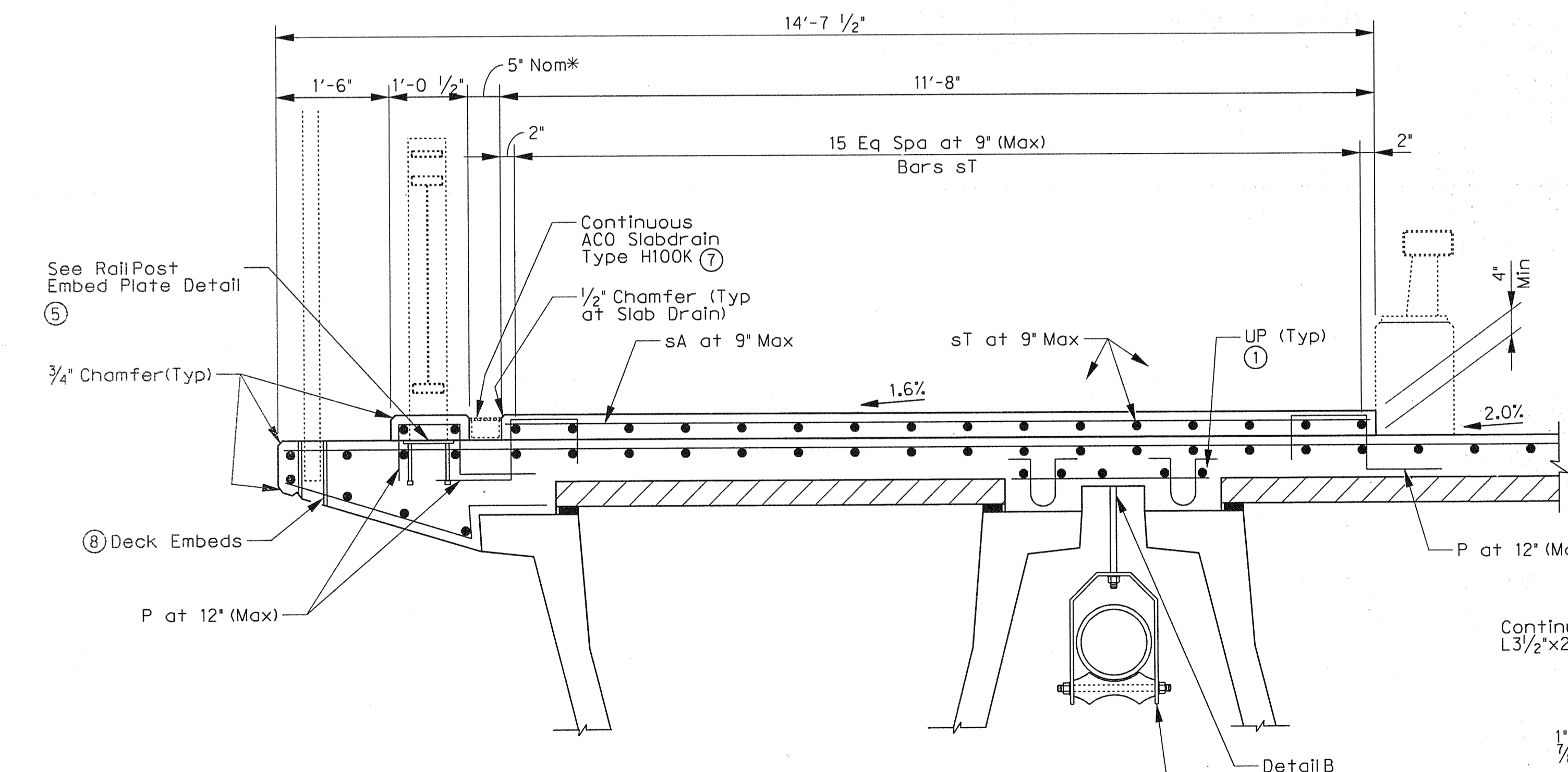
TIME: 4:23:41 PM

DATE: 6/18/2010

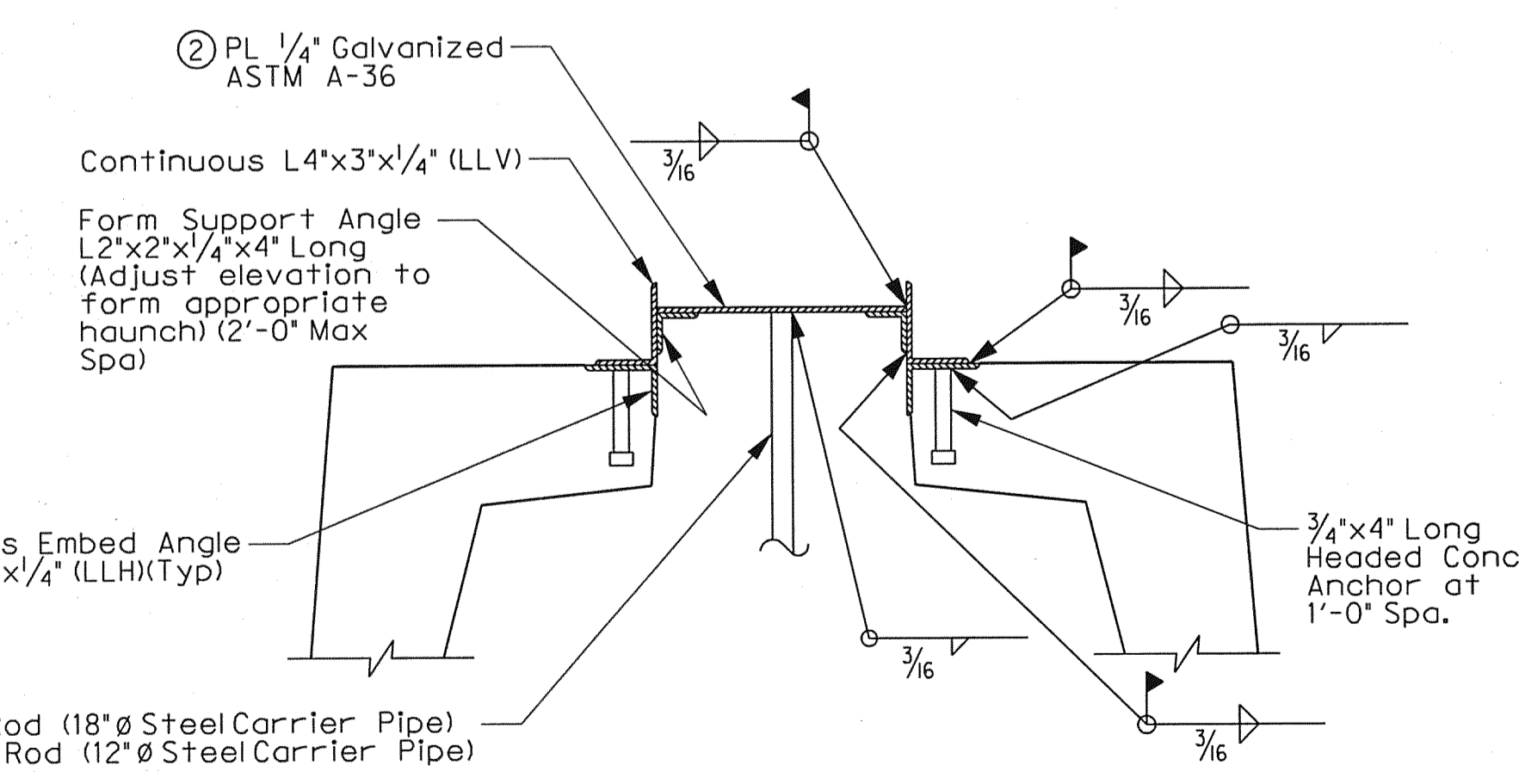


**SECTION A-A**  
SCALE: 3/8" = 1'-0"

- ① Space bars UP with beam bars R in all areas where measured haunch exceeds 3".
- ② Replace galvanized sheet steel with a 1/4" galvanized steel plate see UBMS standard for galvanized sheet steel detail.
- ③ Copper B-line B3110-18 (18" Ø steel carrier pipe) spaced at 6'-0" Max C.C. Copper B-line B3110-12 (12" Ø steel carrier pipe) spaced at 6'-0" Max C.C. Pipe supports are subsidiary to Steel Pipe Item 442, Misc. Steel.
- ④ See sheet 1 of 2 for table of dimensions.
- ⑤ Leave the bottom 1 inch of post ungalvanized.
- ⑥ 18" Ø steel pipe shall be schedule 40 pipe with 18" O.D. 12" Ø steel pipe shall be schedule 40 with 12" O.D. All steel pipes shall be galvanized.
- ⑦ Use grate Type 4100 or 4120 galvanized steel. The contractor shall submit a sample of the grate prior to installation.
- ⑧ See Drawing No. S1-24 for additional details.



**DETAIL A**  
SCALE: 3/4" = 1'-0"



**DETAIL B**  
SCALE: NTS

\* Refer To Manufacturer For Slab Drain Dimensions.



ADDENDUM #1		ESC	5/14/10
NO.	REVISION	BY	DATE
<b>ADDISON</b> TOWN OF ADDISON DALLAS COUNTY, TEXAS  VITRUVIAN PARK BRIDGES PONTE AVENUE  <b>DECK DETAILS</b>			
<b>HALFF</b> <small>1201 NORTH BOWSER ROAD, RICHARDSON, TEXAS 75081-2275          TEL (214) 346-6200 FAX (214) 739-0095</small>			
PROJECT	DESIGN	DRAWN	DATE
27379	ESC	AHH	APRIL 2010
FILE	SHEET		
-	S1-17		