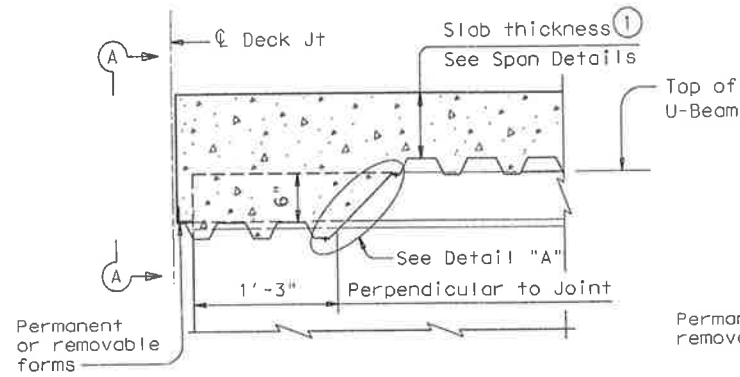
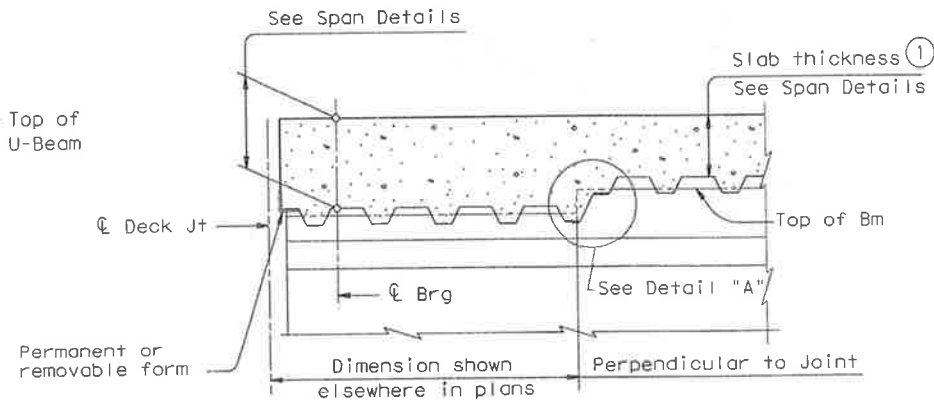


DISCLAIMER: The use of this standard is governed by the "Texas Engineering Practice Act". No warranty of any kind is made by TxDOT for any purpose whatsoever. TxDOT assumes no responsibility for the conversion of this standard to other formats or for incorrect results or damages resulting from its use.

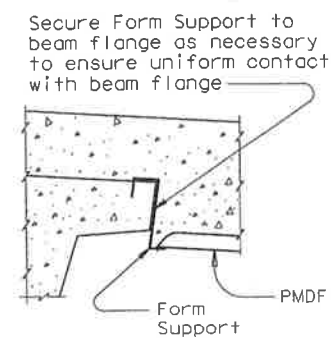


AT THICKENED SLAB END FOR U-BEAMS

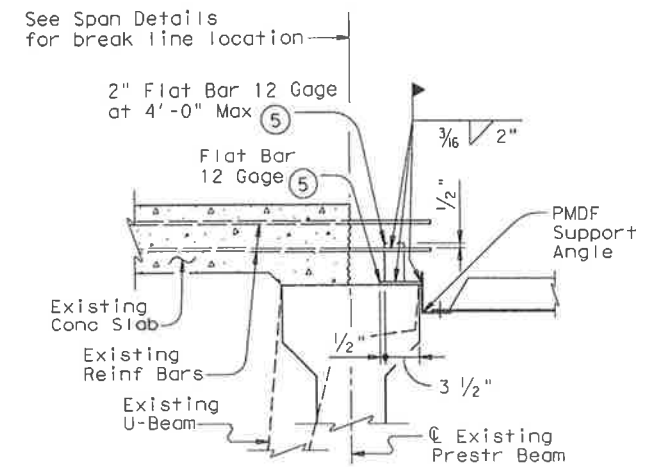


AT THICKENED SLAB END FOR PRESTRESSED I-BEAMS, I-GIRDERS AND STEEL BEAMS

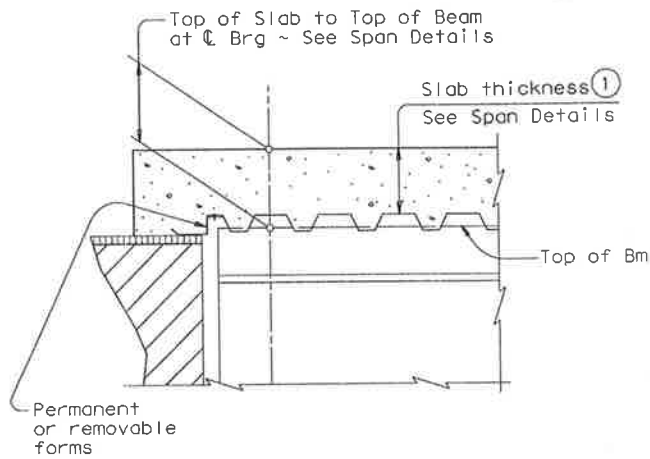
Showing I-Beam block-out. No block-out for I-Girders or Steel Beams.



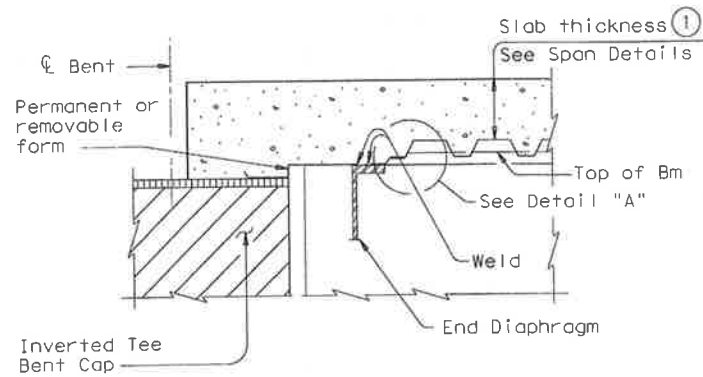
SECTION A-A



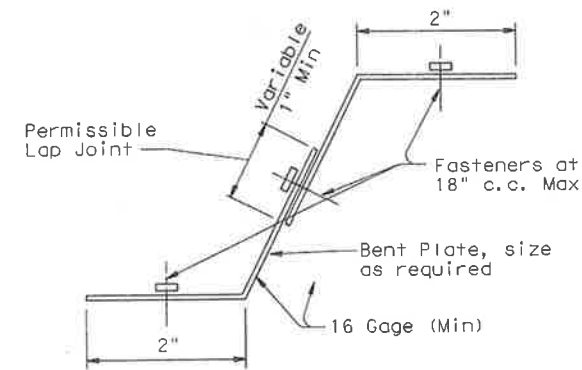
SHOWING PRESTRESSED CONCRETE I-BEAMS, I-GIRDERS AND U-BEAMS



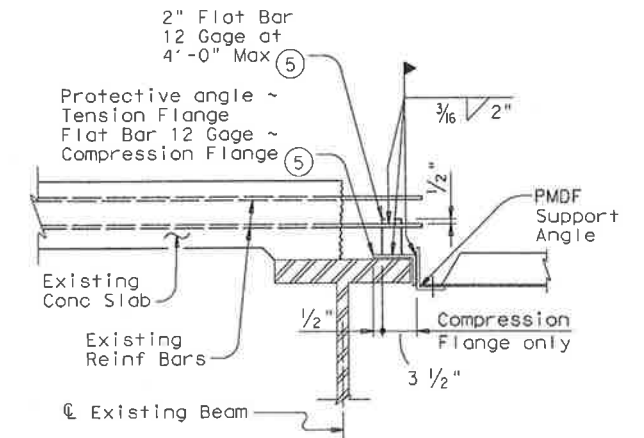
AT SLAB OVER ABUT BKWL OR INV TEE STEM FOR CONC BEAMS WITHOUT THICKENED SLAB END



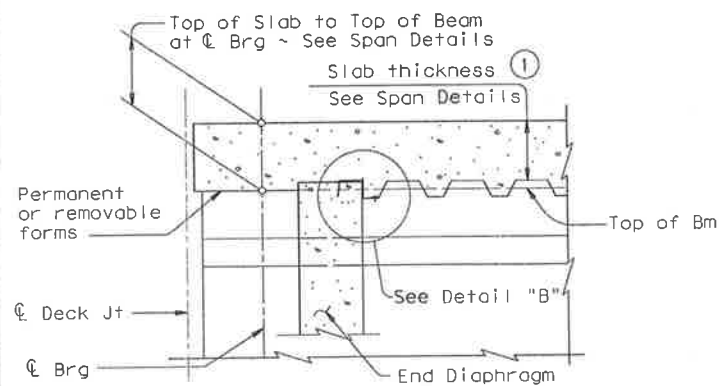
AT SLAB OVER INV TEE STEM FOR STEEL BEAMS WITHOUT THICKENED SLAB END



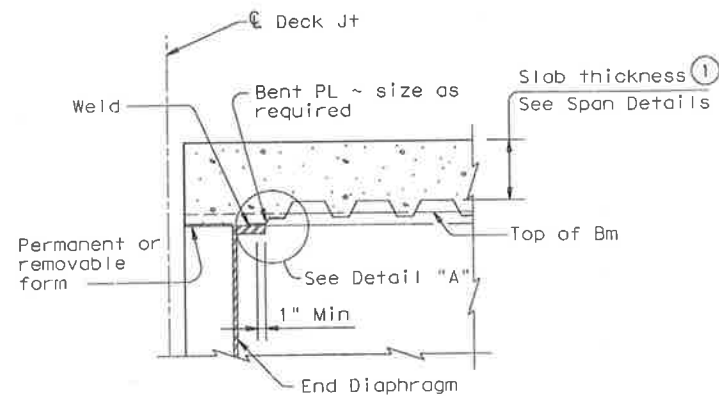
DETAIL "A"



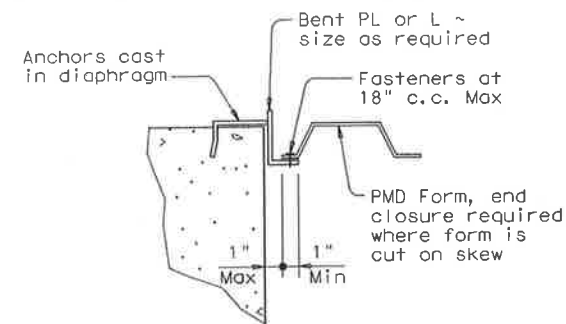
SHOWING STEEL BEAMS



AT CONC END DIAPHRAGM FOR PRESTRESSED I-BEAMS AND STEEL BEAMS



AT END DIAPHRAGM FOR STEEL BEAMS WITHOUT THICKENED SLAB END



DETAIL "B"

WIDENING DETAILS

- 1 Slab thickness minus 5/8" if corrugations match reinforcing bars
- 5 Minimum yield stress of 12 Gage bars shall be 40 ksi

DETAILS AT ENDS OF BEAMS

PERMANENT METAL DECK FORMS

PMDF

FILE: pmdfstel.dgn	DW: TxDOT	CK: TxDOT	DR: TxDOT	CK: TxDOT
© TxDOT April 2006	DISTRICT	FEDERAL AID PROJECT	SHEET	
REVISIONS			S4-14	
08-2007: Added I-Girders.	COUNTY	CONTROL SECT	JOB	HIGHWAY

PATH:

LEVELS DISPLAYED