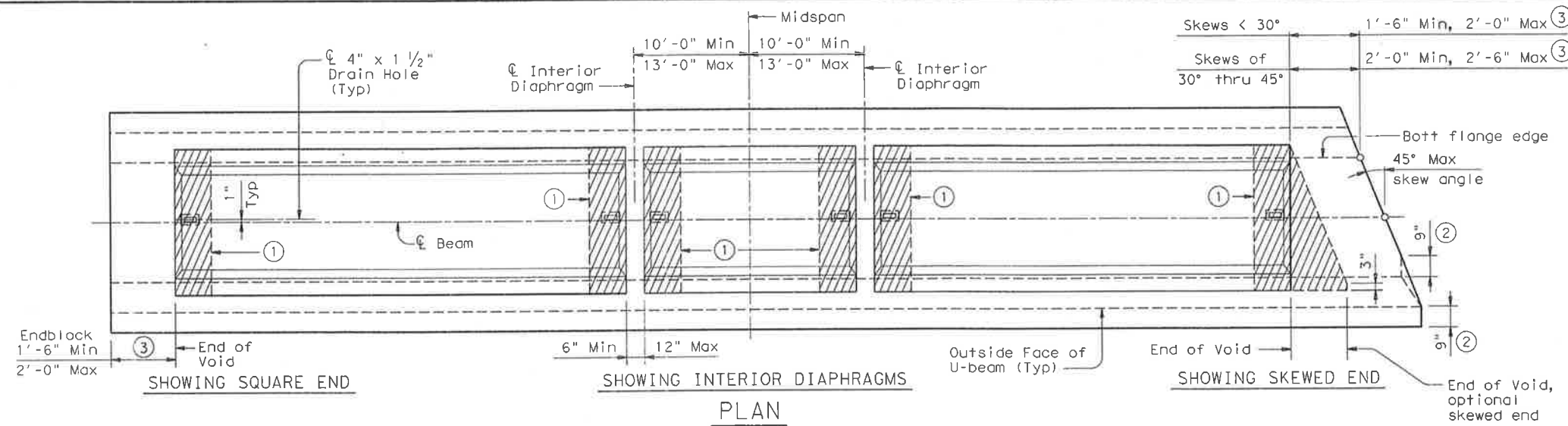
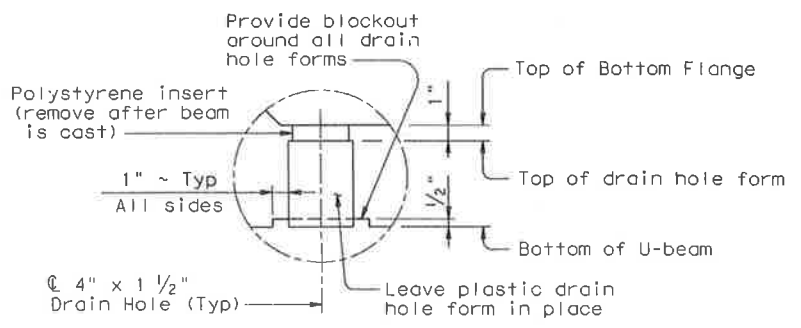
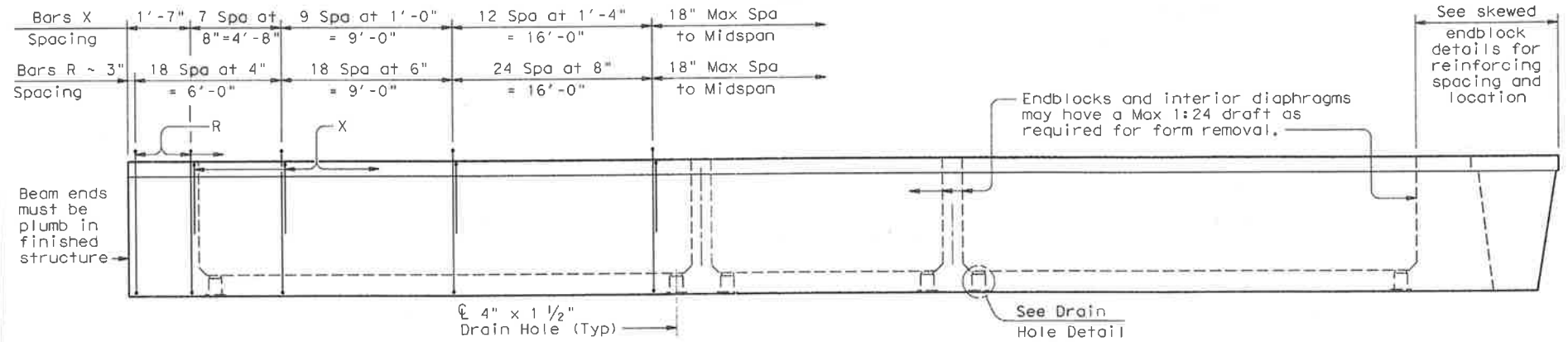


DISCLAIMER: The use of this standard is governed by the "Texas Engineering Practice Act". No warranty of any kind is made by TxDOT for any purpose whatsoever. TxDOT assumes no responsibility for the conversion of this standard to other formats or for incorrect results or damages resulting from its use.

LEVELS DISPLAYED  
 PATH:



- ① Polystyrene may be used at ends of inside forms (12" maximum in length except at optional skewed ends) and left in place. Offset drain holes if not removing polystyrene.
- ② For skews greater than 15 degrees, breakback both top and bottom flanges 9" as shown. Provide a smooth transition between top and bottom flange breakbacks. Adjust reinforcement as necessary to maintain minimum clear cover.
- ③ Minimum and maximum endblock dimensions apply throughout the endblock depth. This dimension control applies to the narrowest portion of endblocks at skewed beam ends.
- ④ Required for beams that will support cantilevered slab overhang formwork and exterior beams only.
- ⑤ Optional Bar U for beams requiring Bars P.
- ⑥ 5 1/2" for normal Bars R, 5 1/2" - 6 1/2" Max for Bars R at skewed beam ends.
- ⑦ Provide Bars E (#5 x 15'-0") at beam ends.



SHOWING SQUARE END      SHOWING INTERIOR DIAPHRAGMS      SHOWING SKEWED END

PLAN

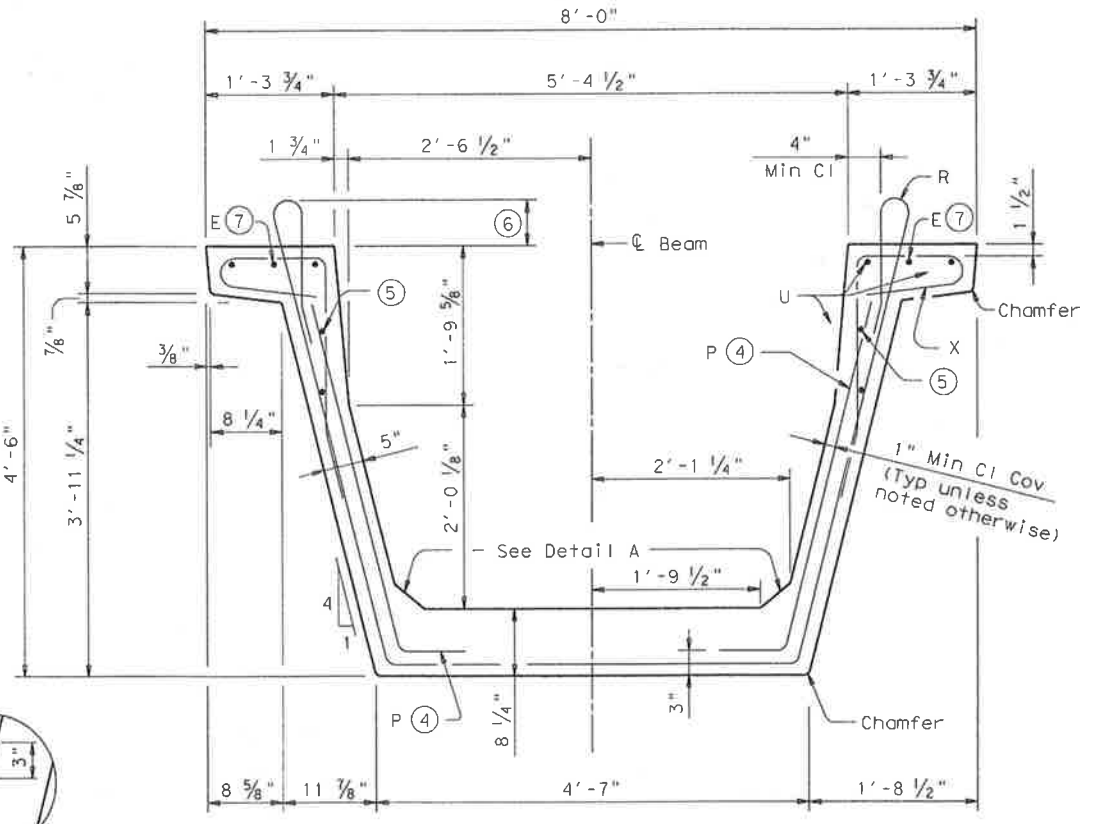
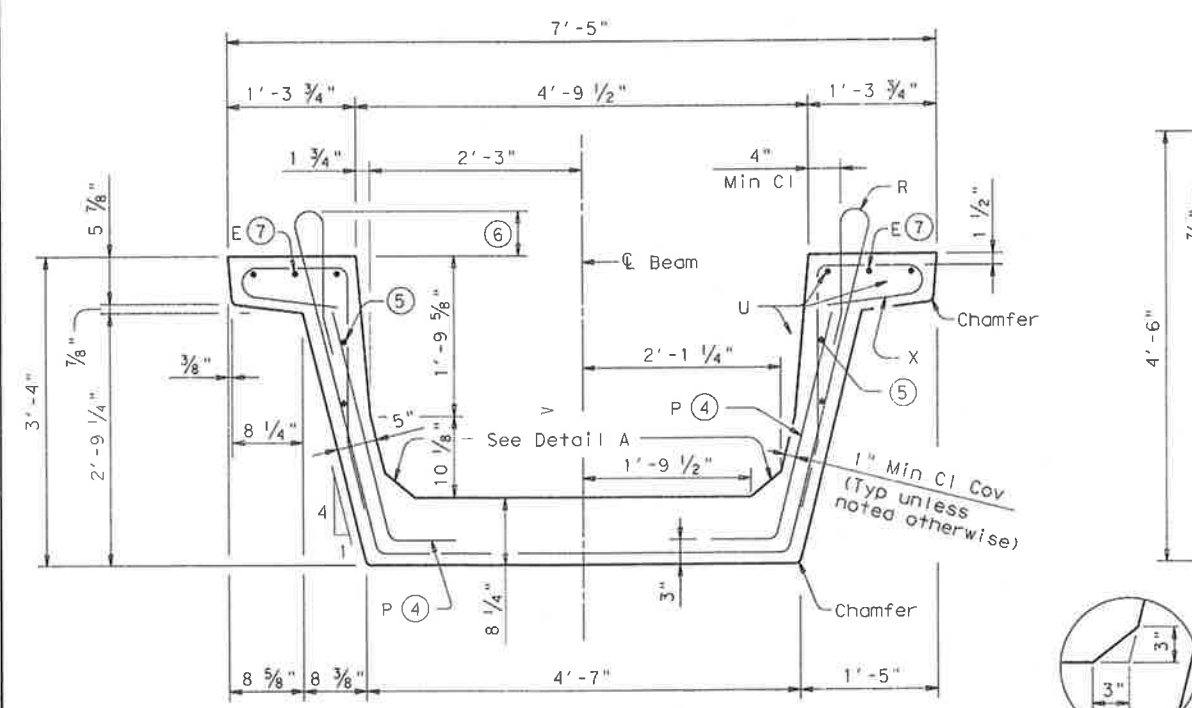
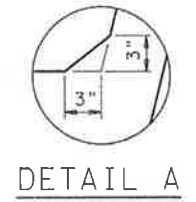


TABLE OF BEAM SECTION PROPERTIES					
Beam Type	Y <sub>t</sub> (in.)	Y <sub>b</sub> (in.)	Area (in. <sup>2</sup> )	I (in. <sup>4</sup> )	Weight (plf) ⑧
U40	23.66	16.30	979.9	183,108	1021
U54	31.58	22.36	1120.0	403,020	1167

⑧ Weights shown assume a concrete density of 150 pcf and are for the typical section only. These weights do not include weight of diaphragms or endblocks.

TYPICAL SECTION - U40

TYPICAL SECTION - U54



DETAIL A

FILE: ubstde01.dgn	DW: TxDOT	CK: TxDOT	DN: TxDOT	CR: TxDOT
© TxDOT July 2006	DISTRICT	FEDERAL AID PROJECT	SHEET	S4-19
REVISIONS		COUNTY	CONTROL	SECT
		JOB	HIGHWAY	