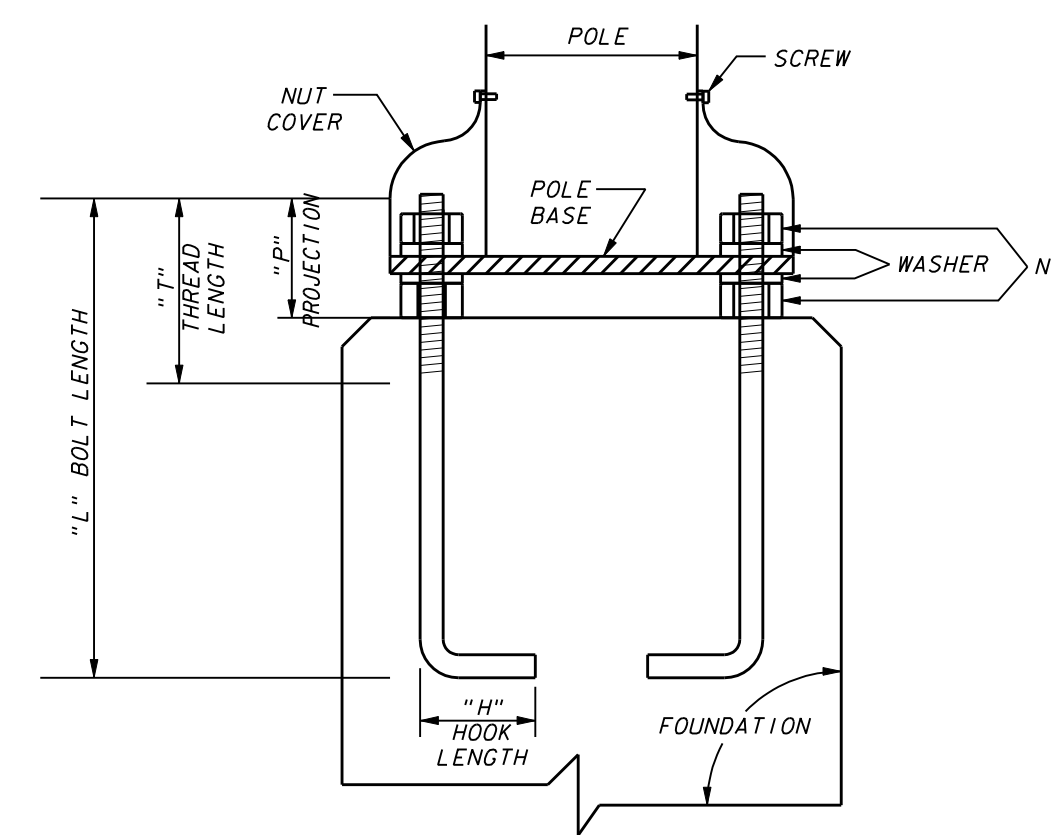


SCHEMATIC TYPE D
120/240 VOLTS - THREE WIRE

TYPE D SERVICE NOTES

Photocell and lighting contactor shall be located in the same UL type 3R enclosure with load center. There shall be a window on each side of enclosure to allow operation of photocell. Both photocell, contactor and breaker area shall have dead front trim. Type D load center with lighting controls shall have power distribution blocks for a minimum of 12, #2 conductors.

EXISTING ELECTRIC SERVICE PEDESTAL SCHEMATIC

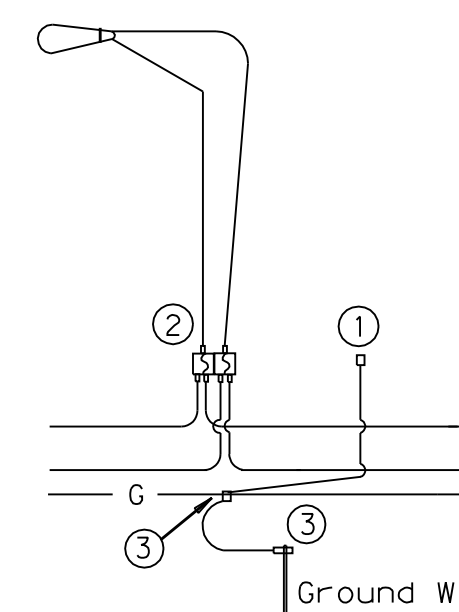


- NOTES:**
- USE ANCHOR BOLT TEMPLATE FURNISHED BY POLE MANUFACTURER FOR ANCHOR BOLT ALIGNMENT.
 - ALL EXPOSED HARDWARE TO BE STAINLESS STEEL.

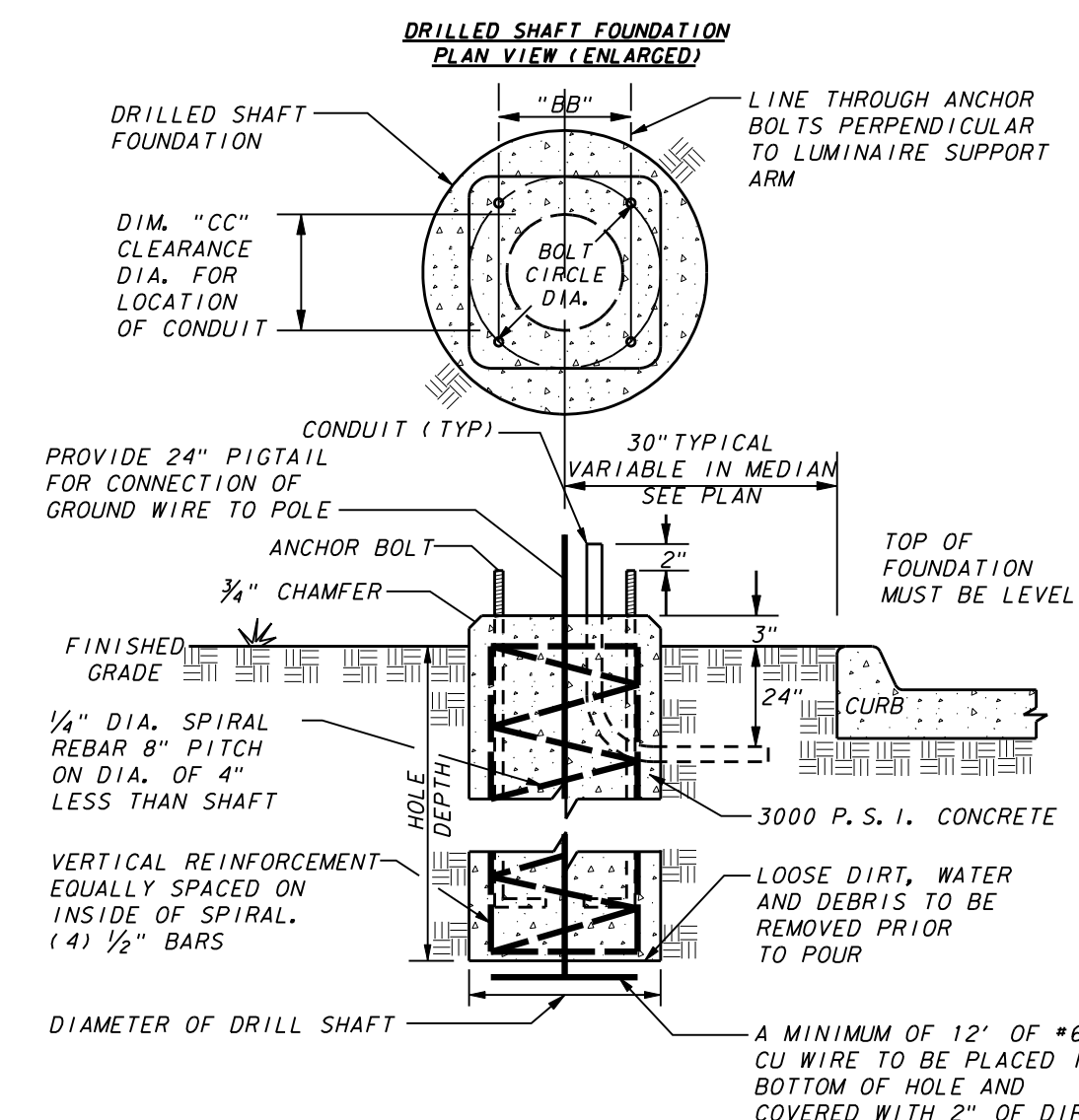
TYPE NO.	BOLT DIA. (IN.)	LENGTH "L" (IN.)	HOOK "H" (IN.)	THREAD "T" (IN.)	PROJECTION "P" (IN.)
45	3/4"	17	3 1/2"	5 1/2"	3 1/2"
47	1"	36	4"	6"	4"

SUPPLY 2 NUTS & 2 WASHERS WITH EACH BOLT

ANCHOR BOLT DETAIL

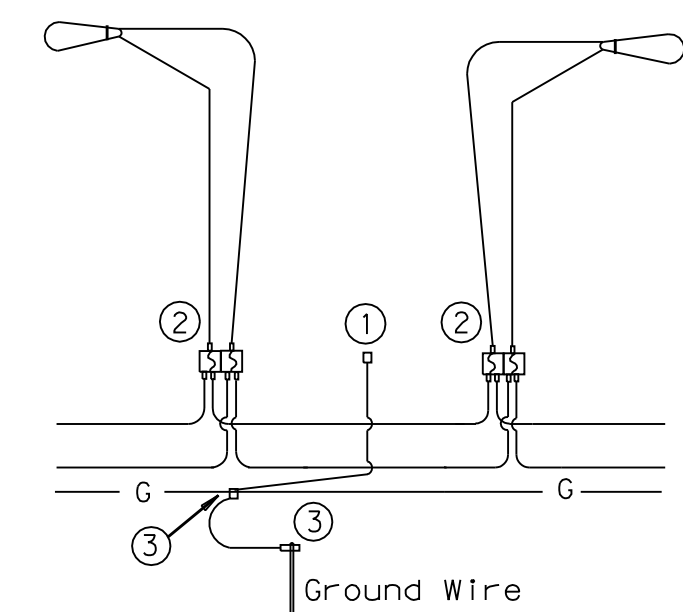


FOR THREE-WIRE CIRCUIT-CENTER GROUNDED LUMINAIRES SERVED AT 240V FOR 120/240 VOLT SERVICE
SINGLE FIXTURE



TYPE NO.	SHAFT DEPTH	SHAFT DIA.	BOLT CIRCLE DIA.	ANCHOR TYPE NO.	CONDUIT CLEARANCE DIM. "CC"	DISTANCE ACROSS BOLTS DIM. "BB"
1	60"	18"	9 1/2"	45	4 1/2"	6 3/4"
2	60"	18"	9 1/2"	45	4 1/2"	6 3/4"
3	72"	24"	11 1/2"	47	7 1/2"	8 3/8"
4	72"	24"	11 1/2"	47	7 1/2"	8 3/8"

DRILLED SHAFT FOUNDATION



FOR THREE-WIRE CIRCUIT-CENTER GROUNDED LUMINAIRES SERVED AT 240V FOR 120/240 VOLT SERVICE
DOUBLE FIXTURE

NOTES:

- Use threaded, copper or tin-plated copper, pole bonding connector, sized appropriately for conductors.
- Double-Pole In-line fuse and connector, sized appropriately for conductors. Bussmann TRON HEY with 2A0660 & 2A0661 Insulating Boots and LIMITRON KTK-R fast acting fuses or equal - 100W fixture use 1 amp fuses, 400 W fixture use 4 amp fuses.
- Split Bolt or other connector.

ELECTRICAL CONNECTION DETAIL



NO.	REVISION	BY	DATE

Addison! TOWN OF ADDISON
DALLAS COUNTY, TEXAS

PAVING, DRAINAGE & UTILITY IMPROVEMENTS
VITRUVIAN WAY EXTENSION

STREET LIGHT DETAILS

icon Consulting Engineers, Inc.
Civil Engineers - Designers - Planners
250 W. Southlake Blvd., Suite 117
Southlake, TX 76092 (817) 552-8210

PROJECT	DESIGN	DRAWN	DATE	FILE	SHEET
5029-01	ICE	ICE	OCT 01 2010	PW# 2010-02	16

PAVING, DRAINAGE, & UTILITY IMPROVEMENTS - VITRUVIAN WAY EXTENSION