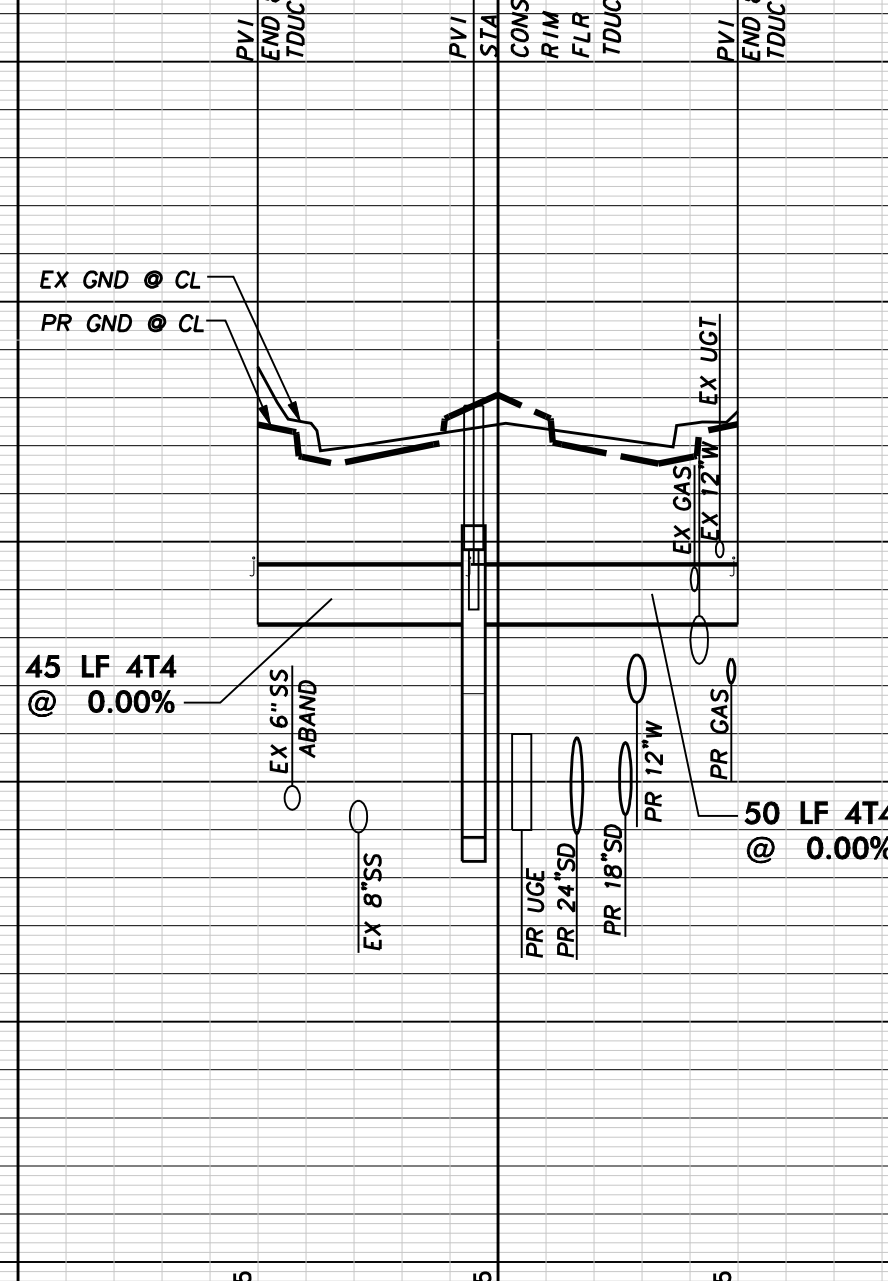


TOP OF DUCT

568.0

E-6

565.9



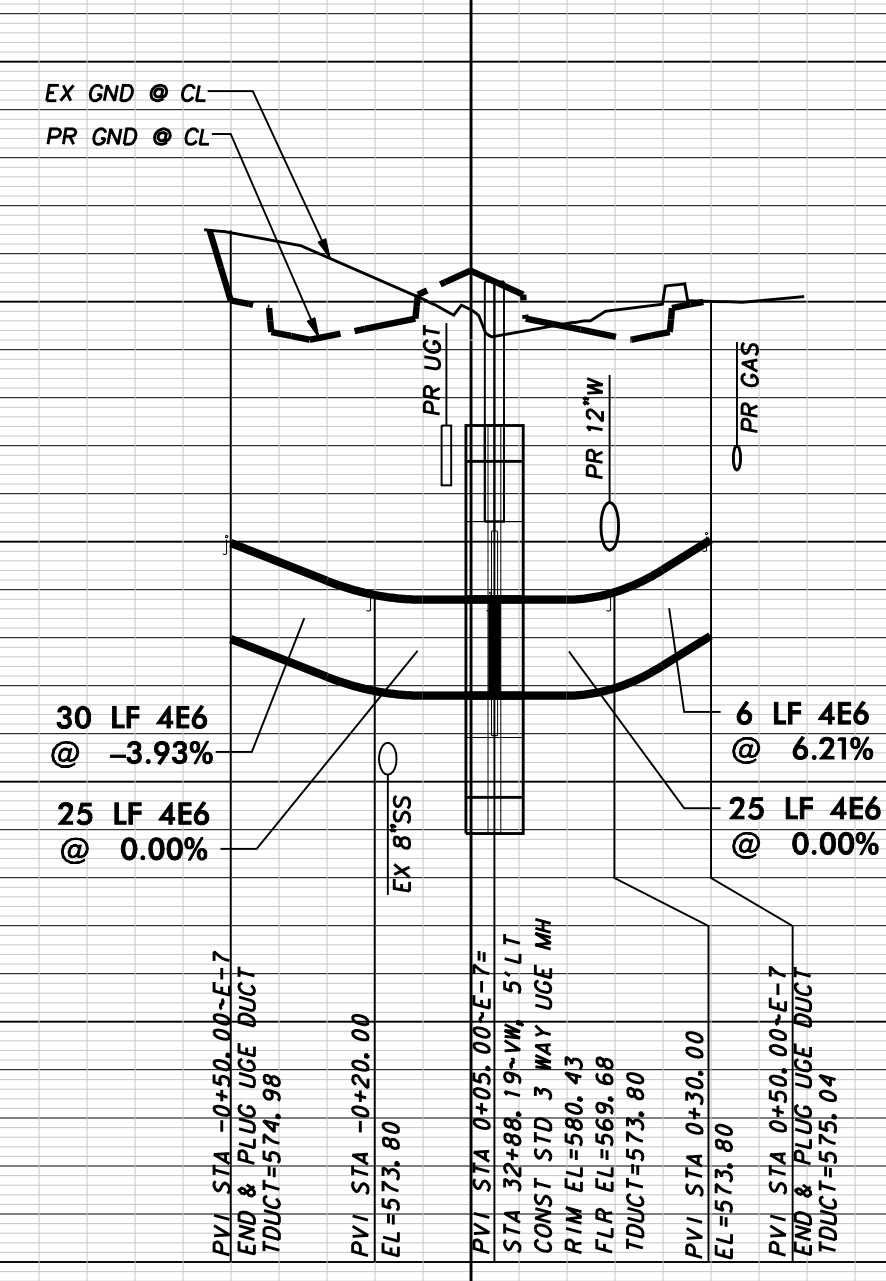
TOP OF DUCT

569.5

T-9

569.5

569.5



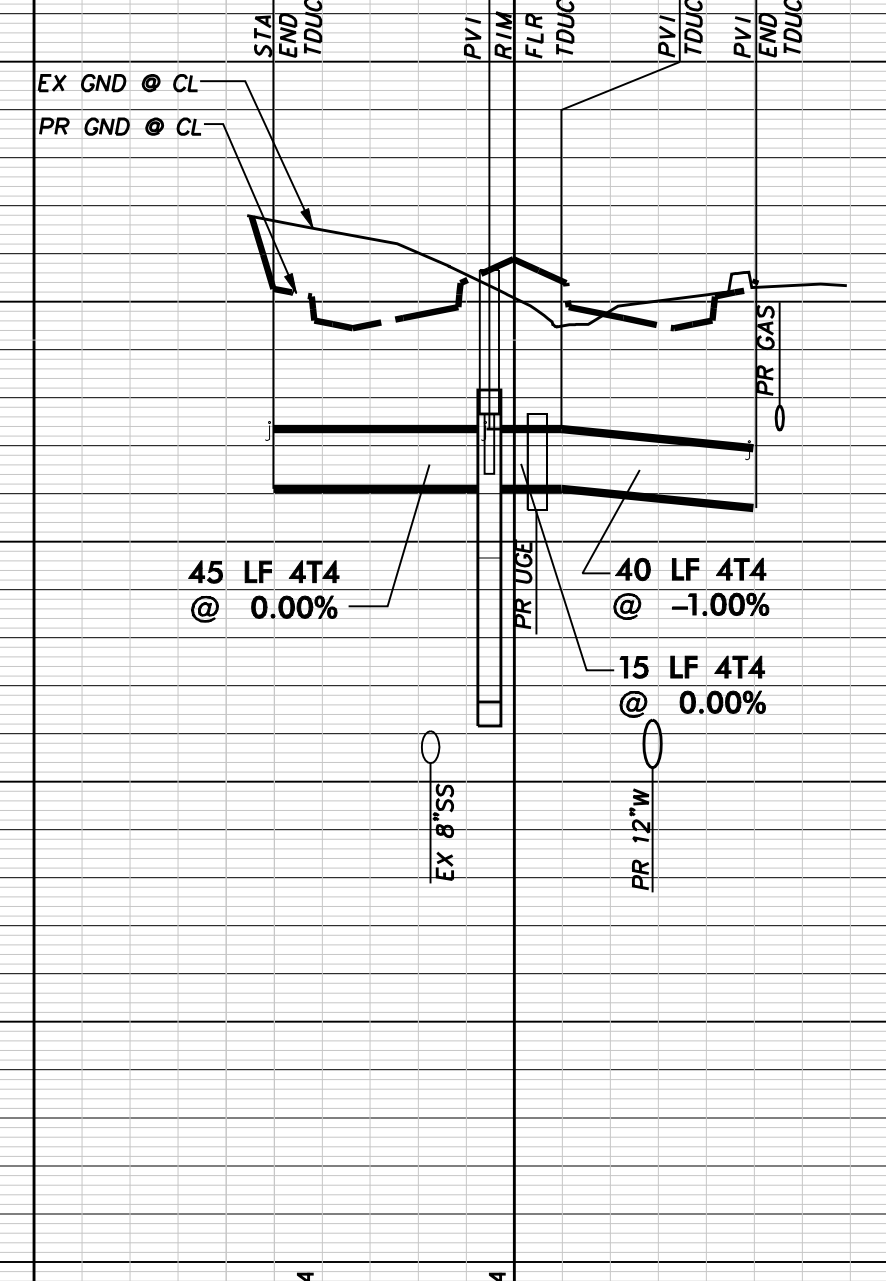
TOP OF DUCT

574.0

E-7

574.8

574.0



TOP OF DUCT

577.4

T-10

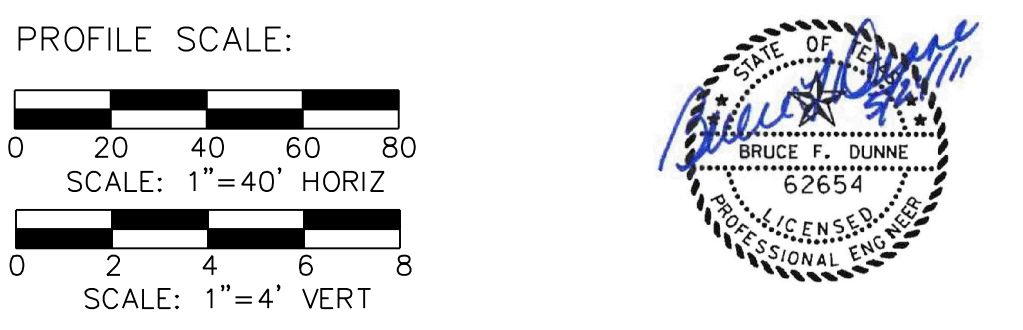
577.4

WARNING

CONTRACTOR IS TO CONTACT TEXAS ONE-CALL SYSTEM (1-800-245-4545) OR OTHER UTILITY LOCATING SERVICES AT LEAST 48 HOURS PRIOR TO CONSTRUCTION ACTIVITIES. ICON CONSULTING ENGINEERS, INC. IS NOT RESPONSIBLE FOR KNOWING ALL EXISTING UTILITIES IN THE PROJECT AREA NOR FOR DEPICTING THE EXACT LOCATIONS OF UTILITIES ON THESE DRAWINGS.

BM #1 REF. ELEVATION = 559.47
SQUARE CUT IN TOP OF CURB, SOUTH MEDIAN END NOSE, MARSH LANE 1127' NORTH OF VITRUVIAN WAY

BM #2 REF. ELEVATION = 547.84
SQUARE CUT IN TOP OF CURB, NORTH MEDIAN END NOSE, AT INTERSECTION OF VITRUVIAN WAY AND MARSH LANE.



NO. REVISION BY DATE

Addison! TOWN OF ADDISON
DALLAS COUNTY, TEXAS

PAVING, DRAINAGE & UTILITY IMPROVEMENTS
VITRUVIAN WAY EXTENSION

DUCT BANK CROSSING PROFILES

icon Consulting Engineers, Inc.		250 W. Southlake Blvd., Suite 117 Southlake, TX 76092 (817) 552-8210	
PROJECT	DESIGN	DRAWN	DATE
5029-01	ICE	ICE	OCT 01 2010
FILE	SHEET	PW# 2010-02 29	

PAVING, DRAINAGE, & UTILITY IMPROVEMENTS - VITRUVIAN WAY EXTENSION