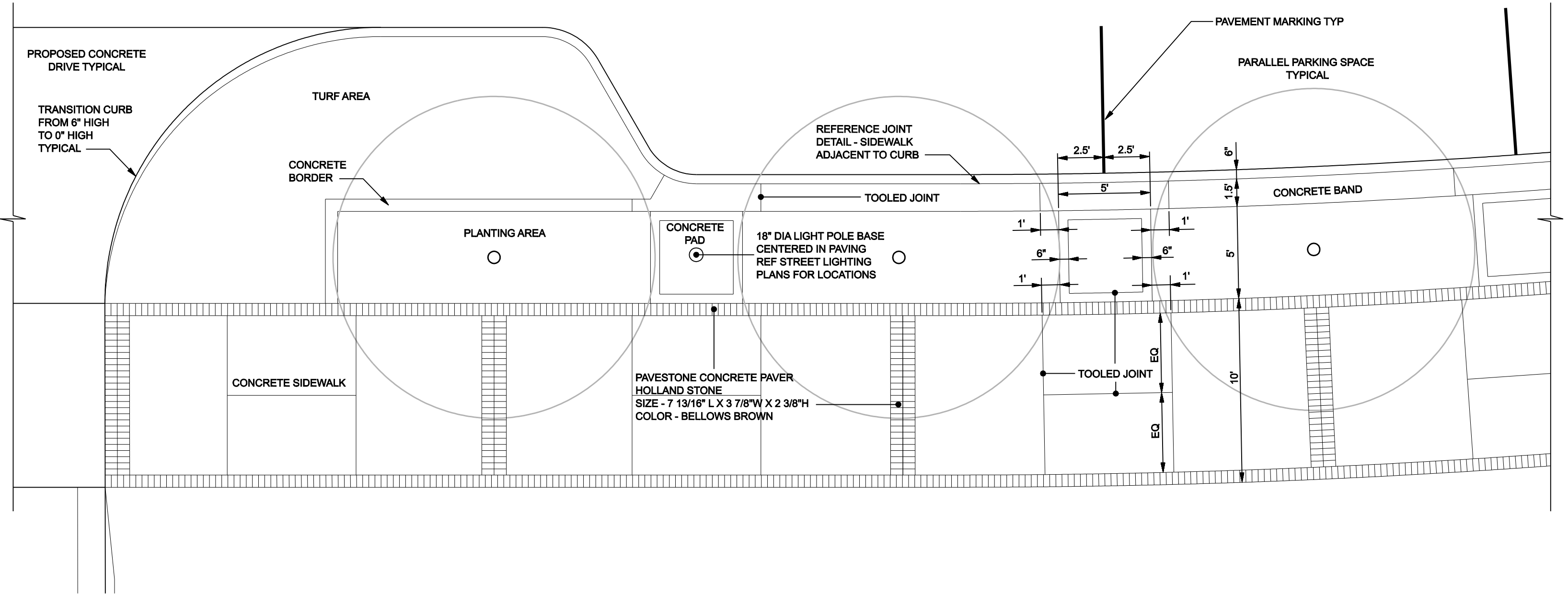
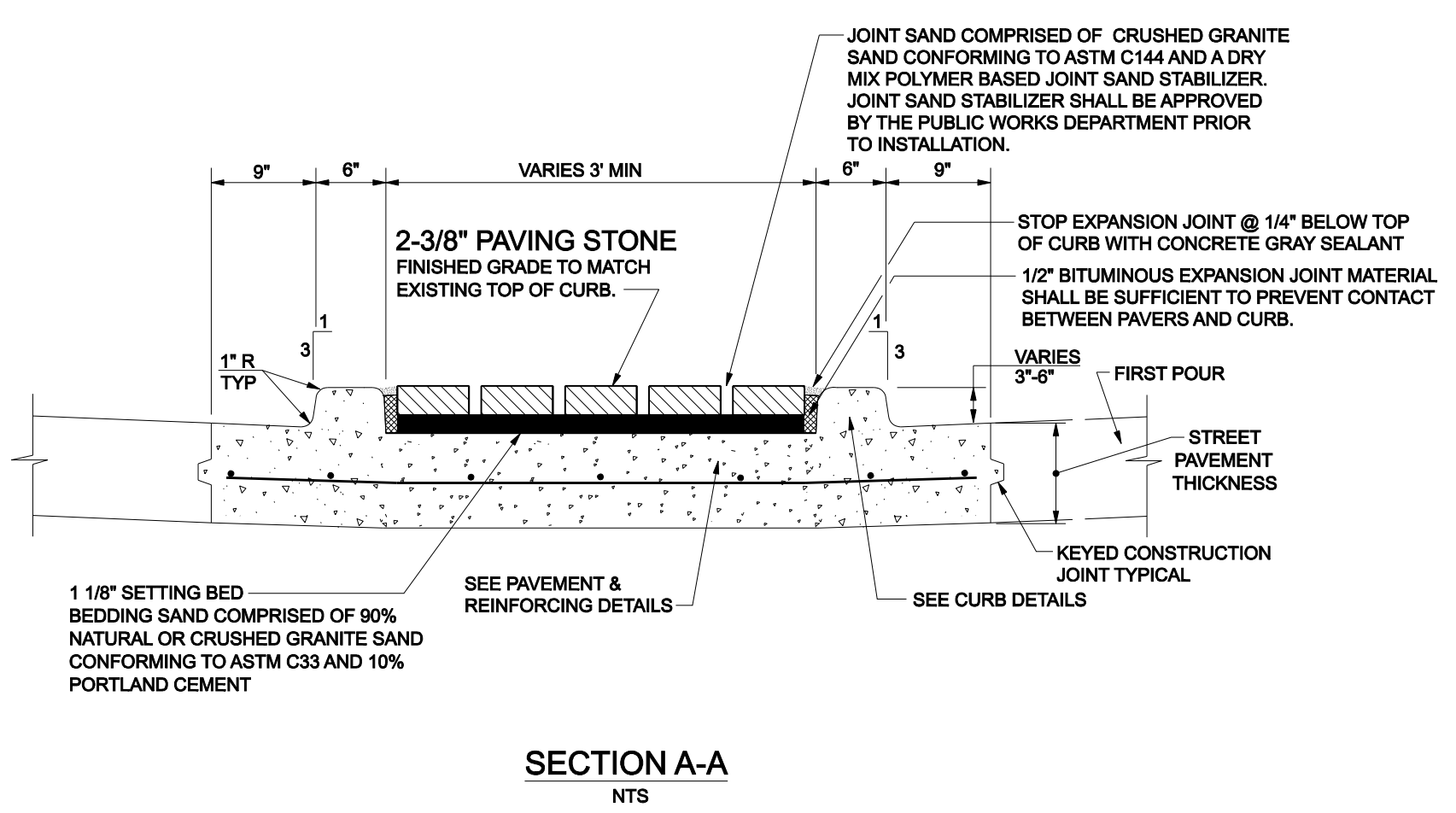


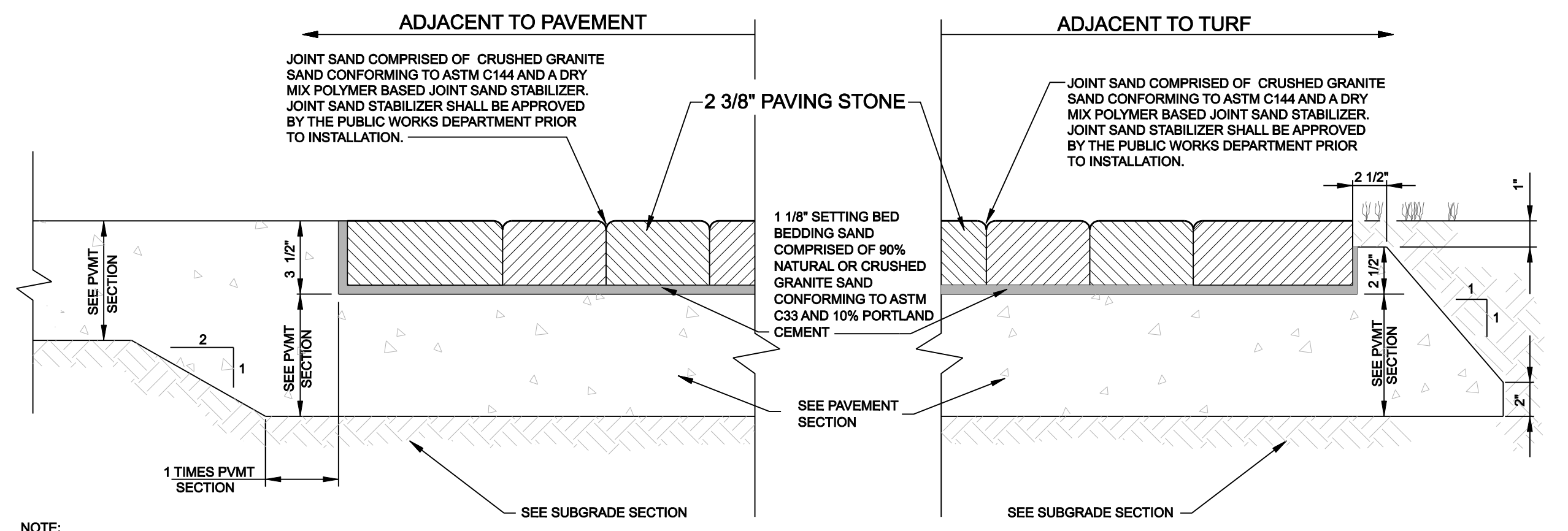
**MEDIAN NOSE TREATMENT PLAN**  
SCALE: 1"-8"



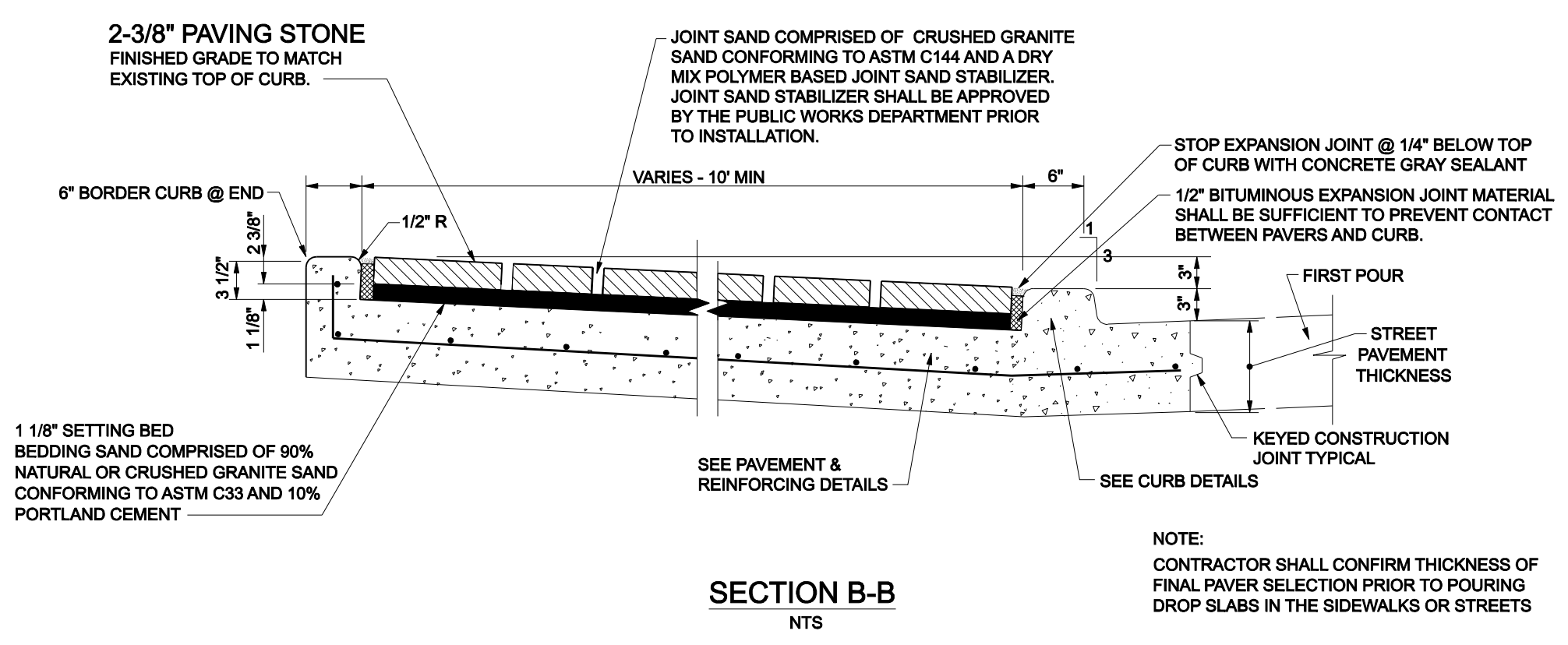
**TYPICAL SIDEWALK & PAVER LAYOUT PLAN**  
SCALE: 1"-5"



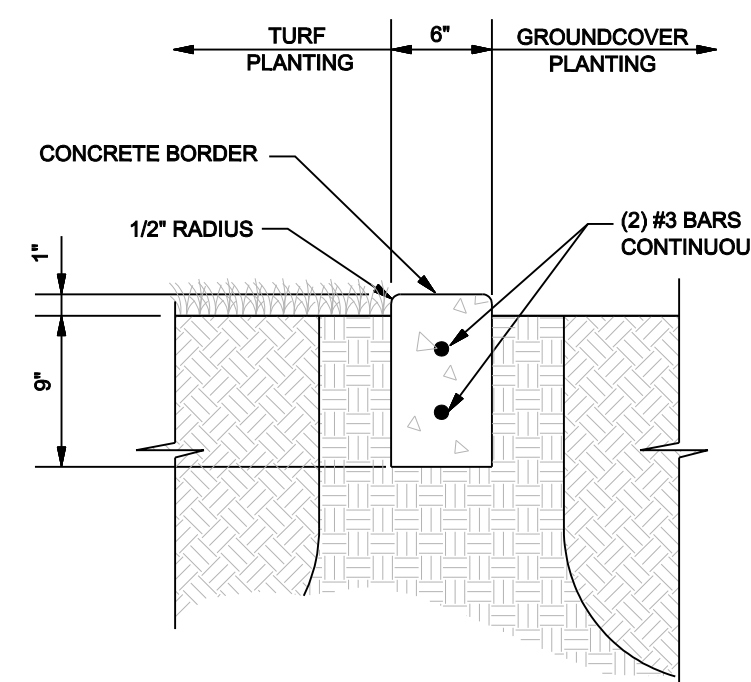
**SECTION A-A**  
N.T.S.



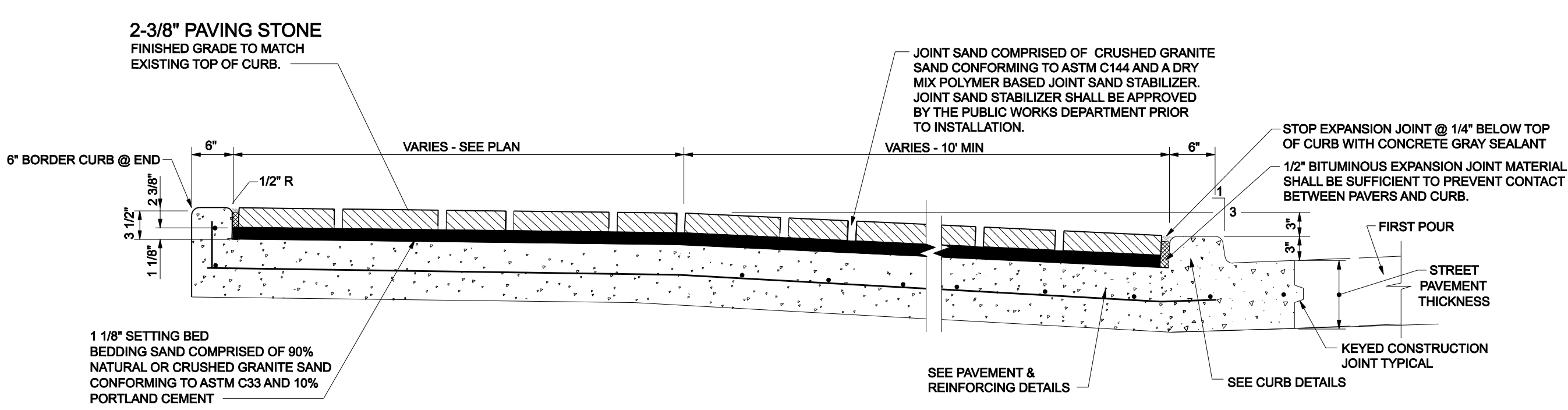
**PAVERS ON CONCRETE**  
N.T.S.



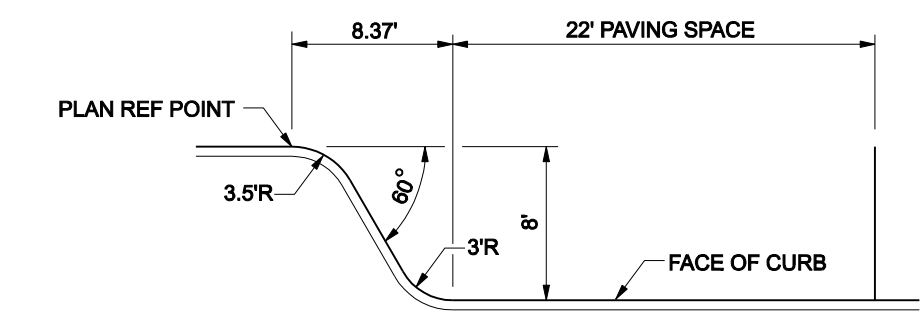
**SECTION B-B**  
N.T.S.



**CONCRETE BORDER**  
NOT TO SCALE



**SECTION C-C**  
N.T.S.



**TYPICAL PARALLEL PARKING TRANSITION**  
NOT TO SCALE



NO.	REVISION	BY	DATE

**Addison** TOWN OF ADDISON  
DALLAS COUNTY, TEXAS  
PAVING, DRAINAGE & UTILITY IMPROVEMENTS  
VITRUVIAN WAY EXTENSION

**PAVING DETAILS**

**icon** Consulting Engineers, Inc.  
Civil Engineers - Designers - Planners  
250 W. Southlake Blvd., Suite 117  
Southlake, Tx 76092 (817) 552-6210

PROJECT	DESIGN	DRAWN	DATE	FILE	SHEET
5029-01	ICE	ICE	OCT 01 2010	PW# 2010-02	8

PAVING, DRAINAGE, & UTILITY IMPROVEMENTS - VITRUVIAN WAY EXTENSION