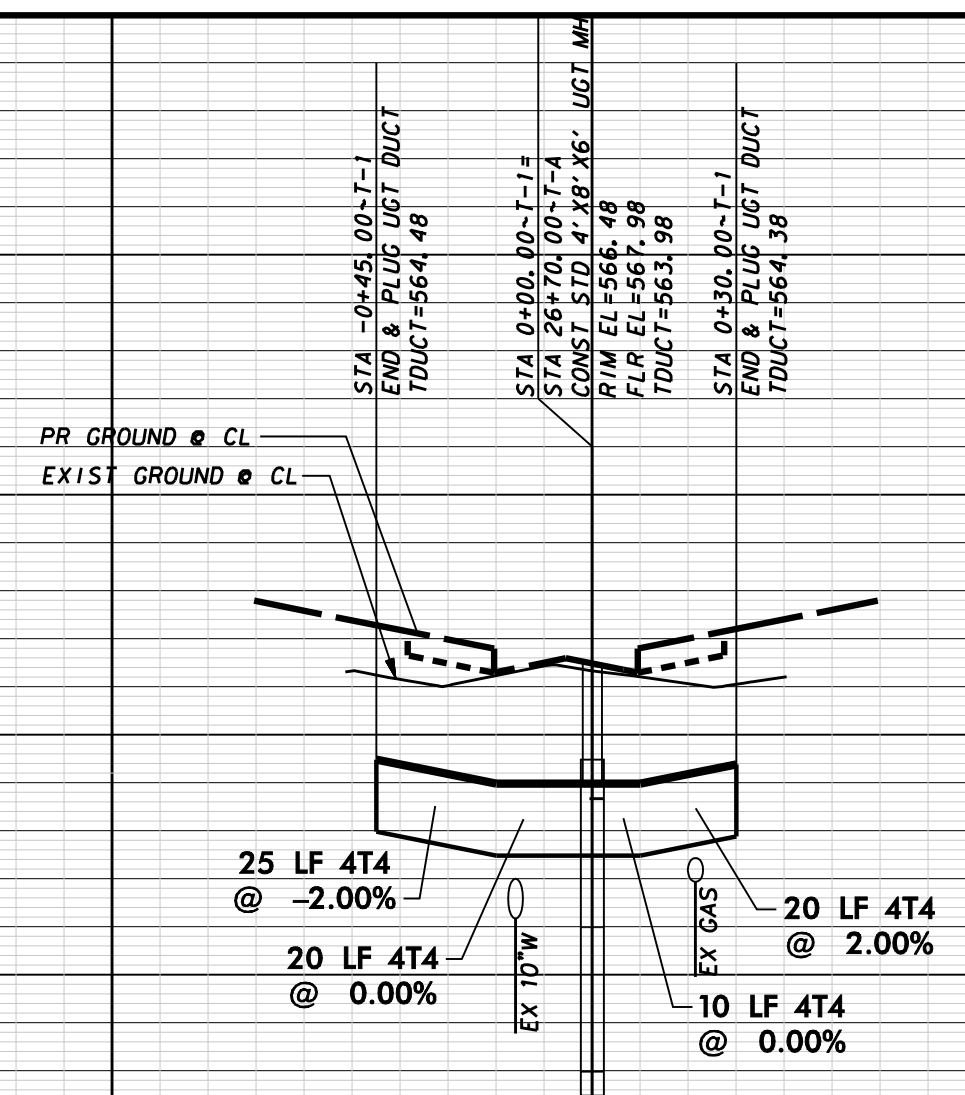
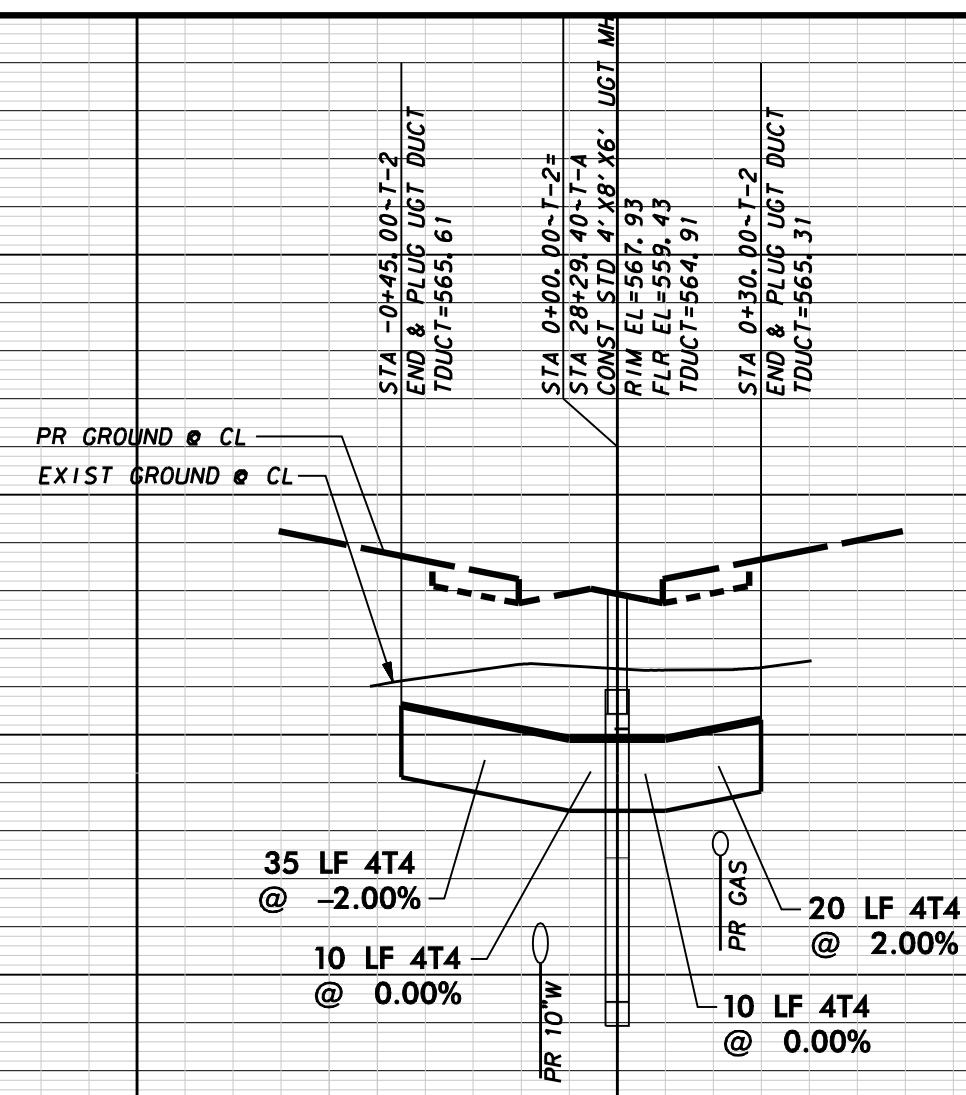


E-1



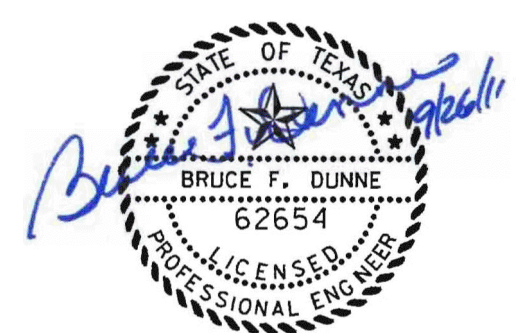
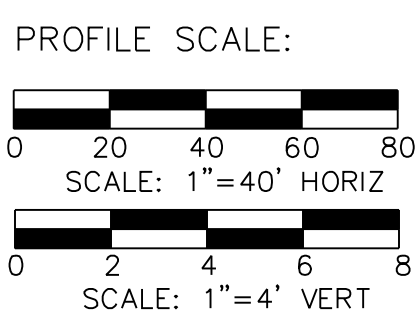
T-1



T-2

**WARNING**  
 CONTRACTOR IS TO CONTACT TEXAS ONE-CALL SYSTEM (1-800-245-4545) OR OTHER UTILITY LOCATING SERVICES AT LEAST 48 HOURS PRIOR TO CONSTRUCTION ACTIVITIES. ICON CONSULTING ENGINEERS, INC. IS NOT RESPONSIBLE FOR KNOWING ALL EXISTING UTILITIES IN THE PROJECT AREA NOR FOR DEPICTING THE EXACT LOCATIONS OF UTILITIES ON THESE DRAWINGS.

BM #1 REF. ELEVATION = 559.47  
 SQUARE CUT IN TOP OF CURB, SOUTH MEDIAN END NOSE, MARSH LANE  
 112' NORTH OF WITRUVIAN WAY.  
 BM #2 REF. ELEVATION = 547.84  
 SQUARE CUT IN TOP OF CURB, NORTH MEDIAN END NOSE, AT INTERSECTION OF WITRUVIAN WAY AND MARSH LANE.



NO.	REVISION	BY	DATE

**Addison!** TOWN OF ADDISON  
 DALLAS COUNTY, TEXAS  
 PAVING, DRAINAGE & UTILITY IMPROVEMENTS  
 PONTE AVENUE CIRCLE

**DUCT BANK CROSSING PROFILES**

**icon** Consulting Engineers, Inc. 250 W. Southlake Blvd., Suite 117  
 Civil Engineers - Designers - Planners Southlake, Tx 76092 (817) 552-6210

PROJECT	DESIGN	DRAWN	DATE	FILE	SHEET
5019-09	ICE	ICE	SEPT 22, 2011	PW# 2011-03	28

PAVING, DRAINAGE, & UTILITY IMPROVEMENTS - PONTE AVENUE CIRCLE