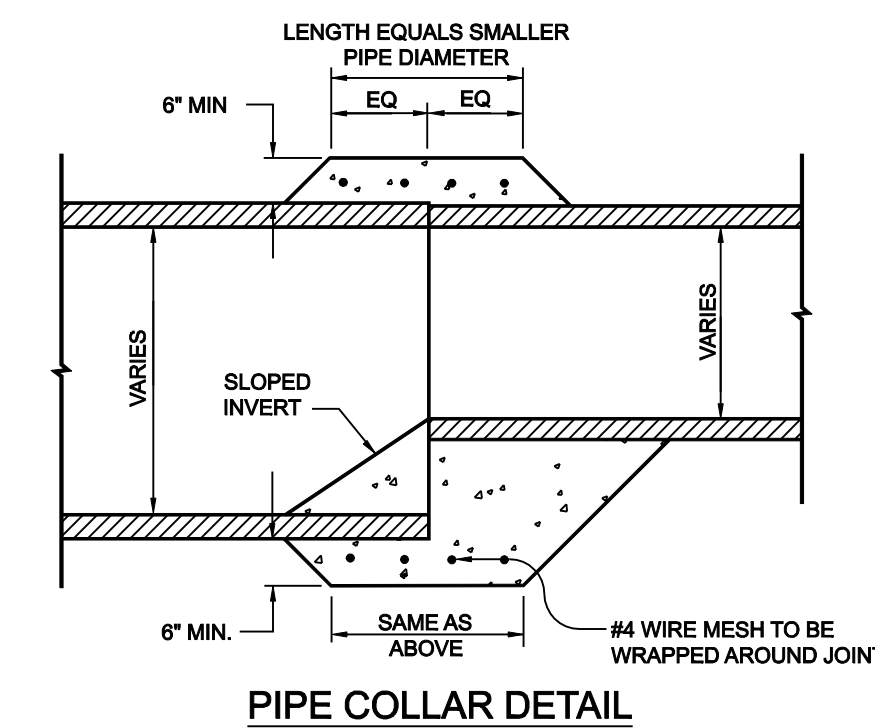
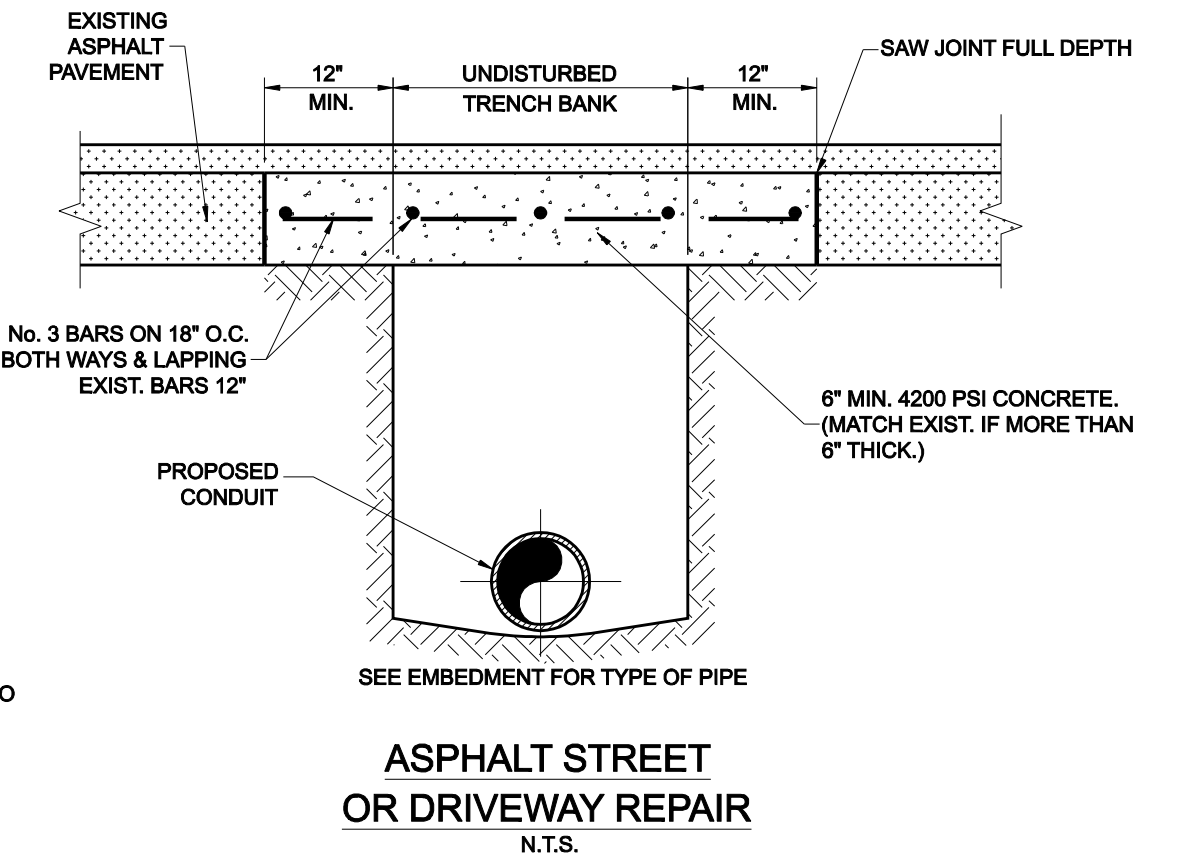
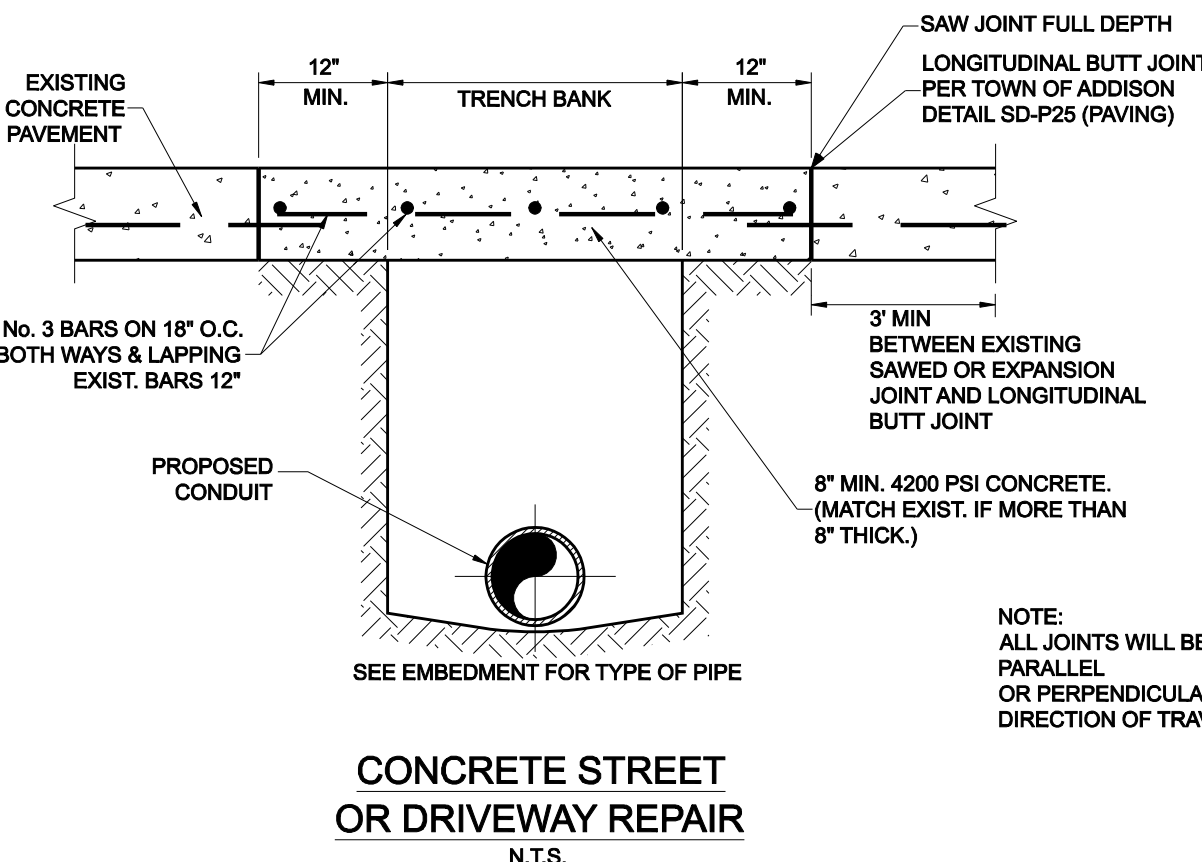
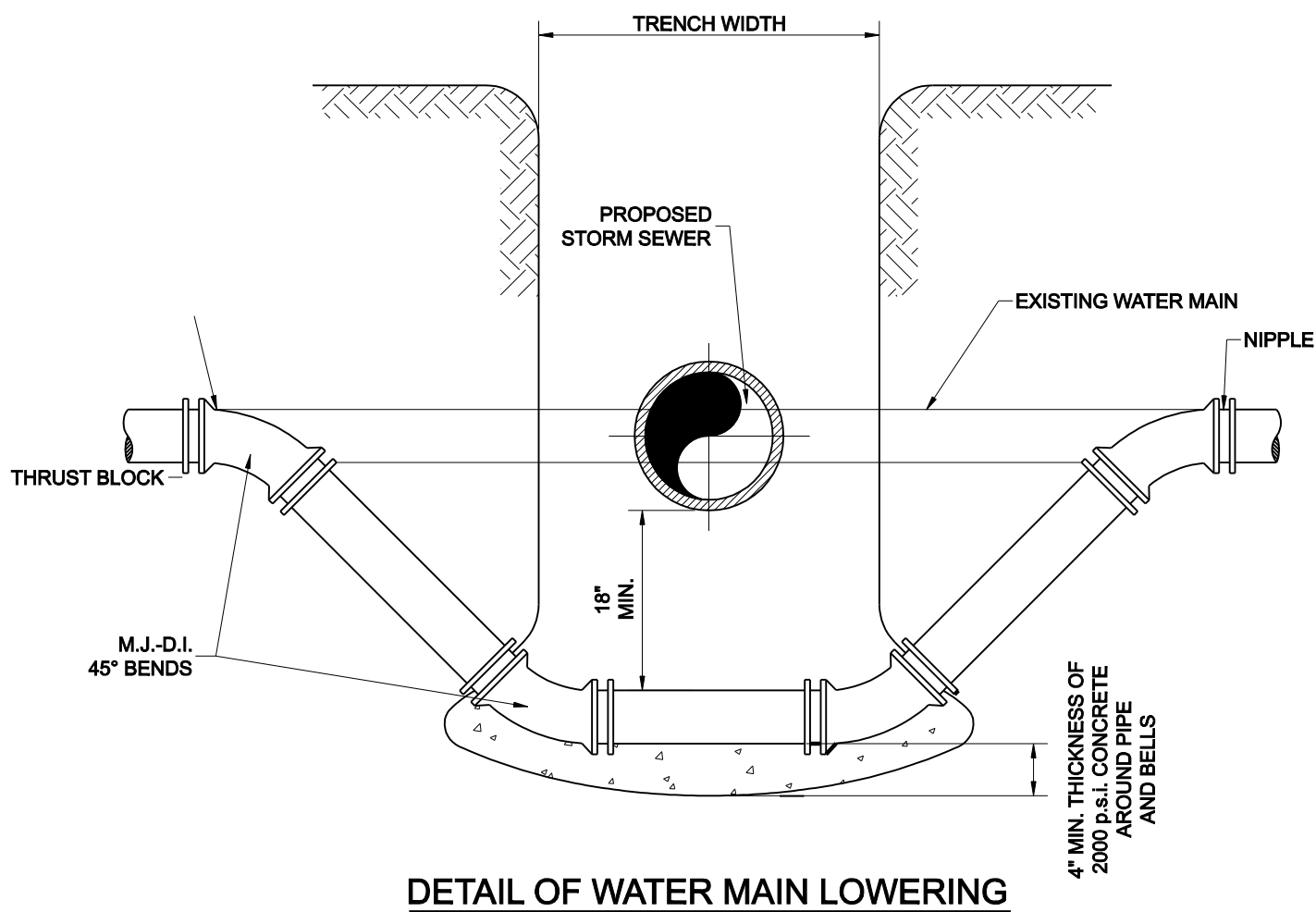
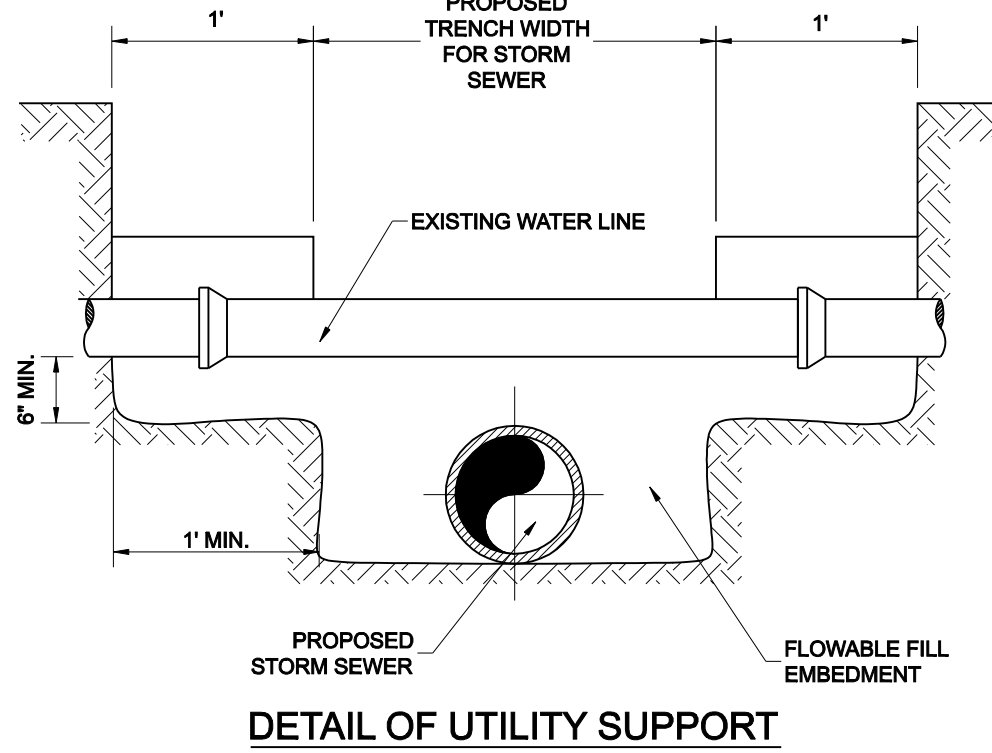


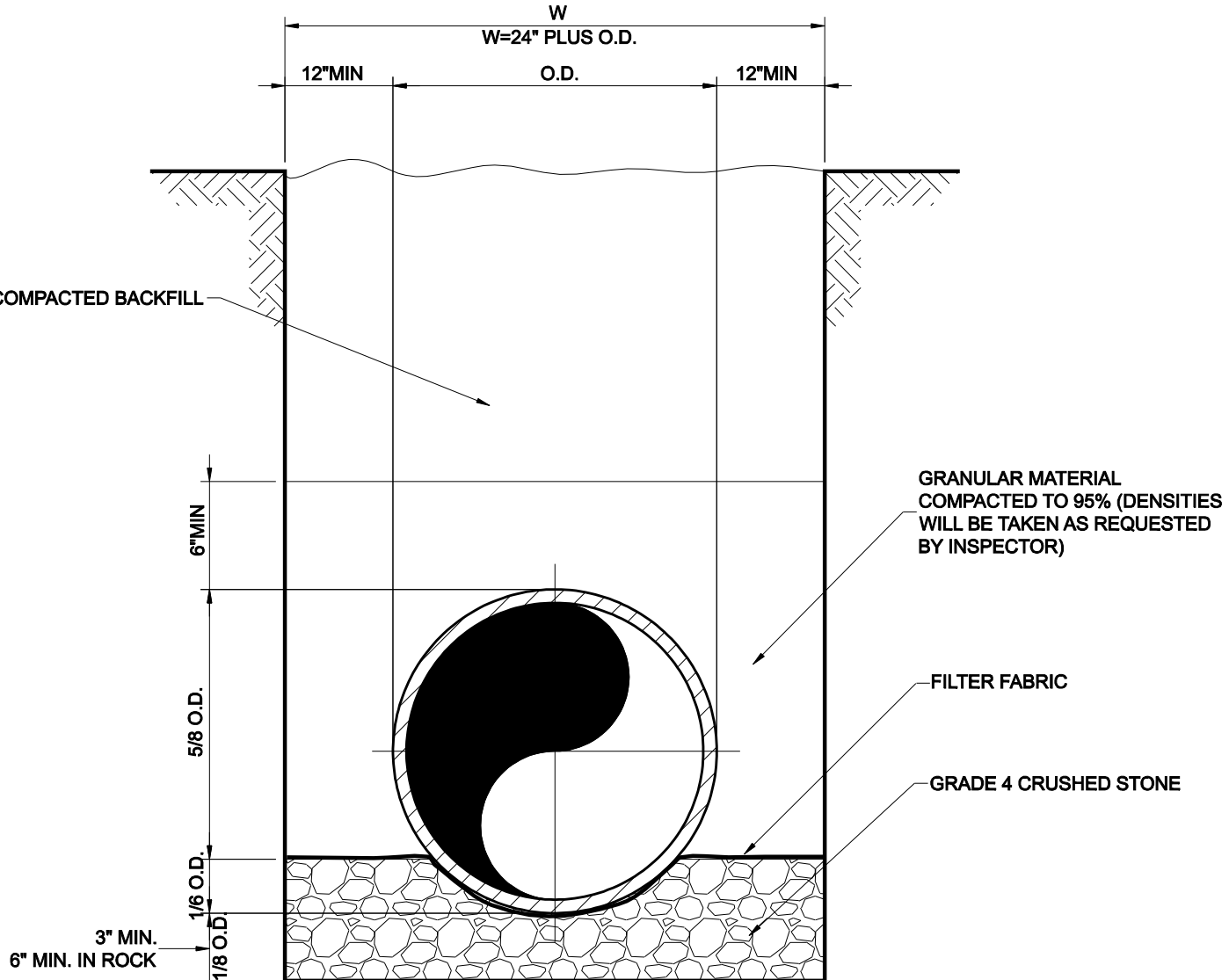
LOAD RATING HEAVY DUTY	COATING DIPPED	ESTIMATED WEIGHT COVER: 193 LBS FRAME: 151 LBS	MATERIAL SPECIFICATION COVER - GRAY IRON ASTM A48 CL35B FRAME - GRAY IRON ASTM A48 CL35B
----------------------------------	--------------------------	--	--

DESIGNATES MACHINE SURFACE

CAST IRON FRAME AND COVER



- NOTES
- THIS PROCEDURE/DETAIL WILL ONLY BE USED WHEN 1 PREFAB REDUCTION IS NOT POSSIBLE.
 - CONCRETE FOR COLLAR WILL NOT BE PAID FOR DIRECTLY, BUT WILL BE CONSIDERED SUBSIDIARY TO THE VARIOUS OTHER BIDS.
 - CONCRETE SHALL BE 5 SACK 3000 PSI.

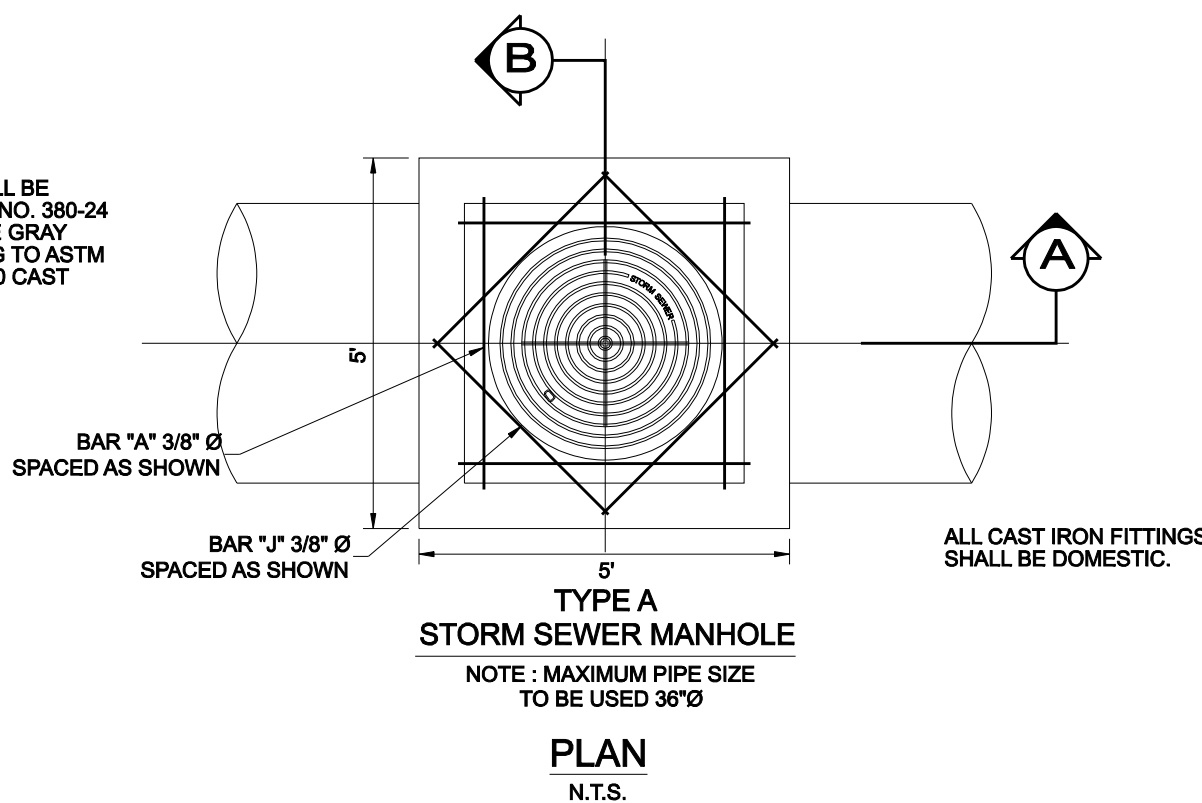


- NOTE:
- DEPTH OF TRENCH BELOW PIPE
3" MIN. FOR 27" PIPE & SMALLER
4" MIN. FOR 30" TO 60" PIPE
6" MIN. FOR 66" PIPE & LARGER

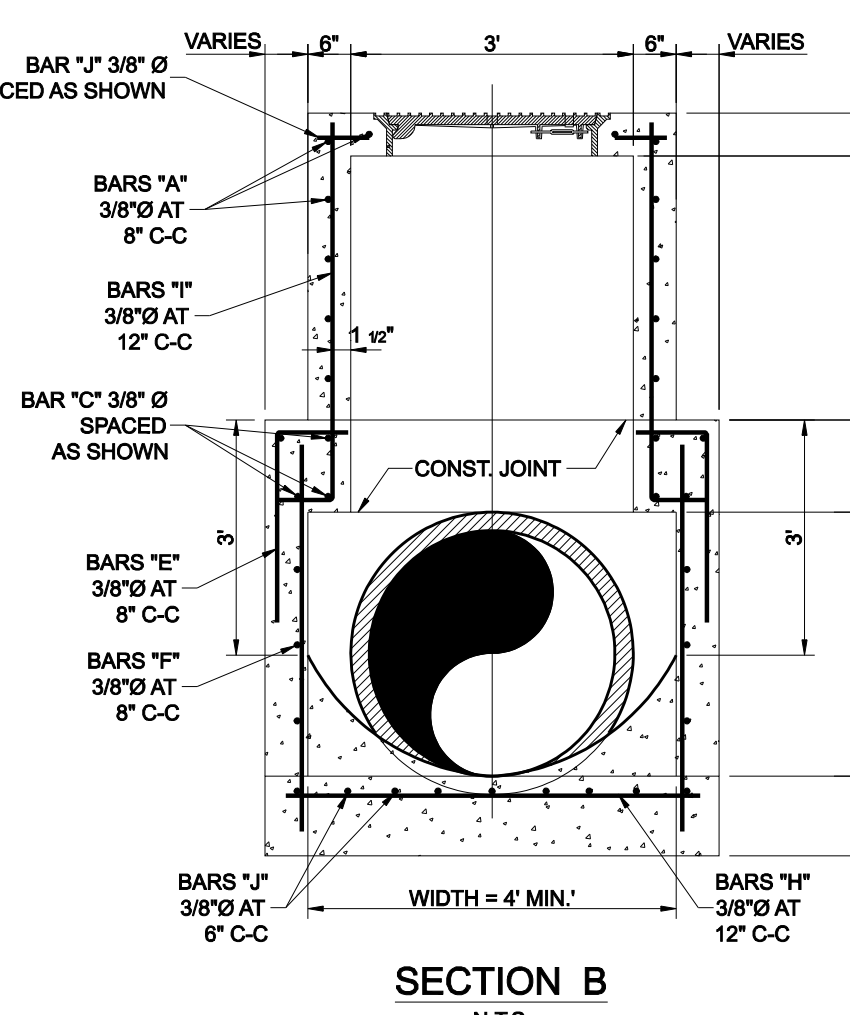
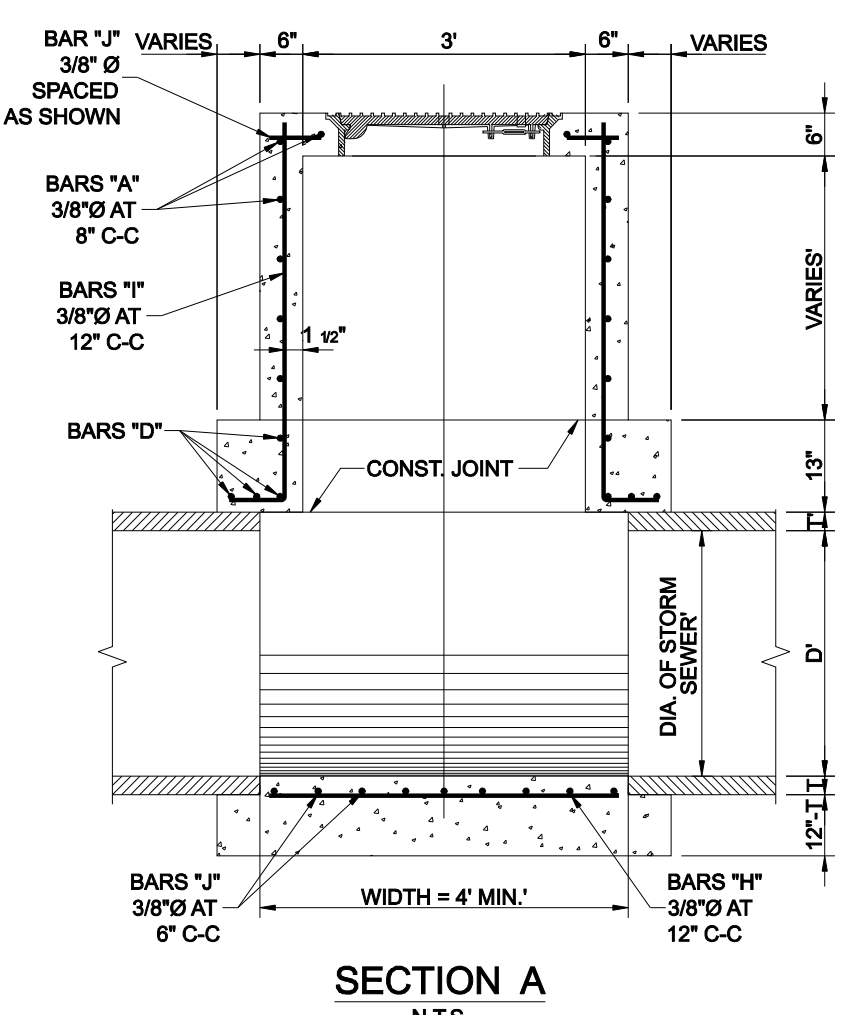
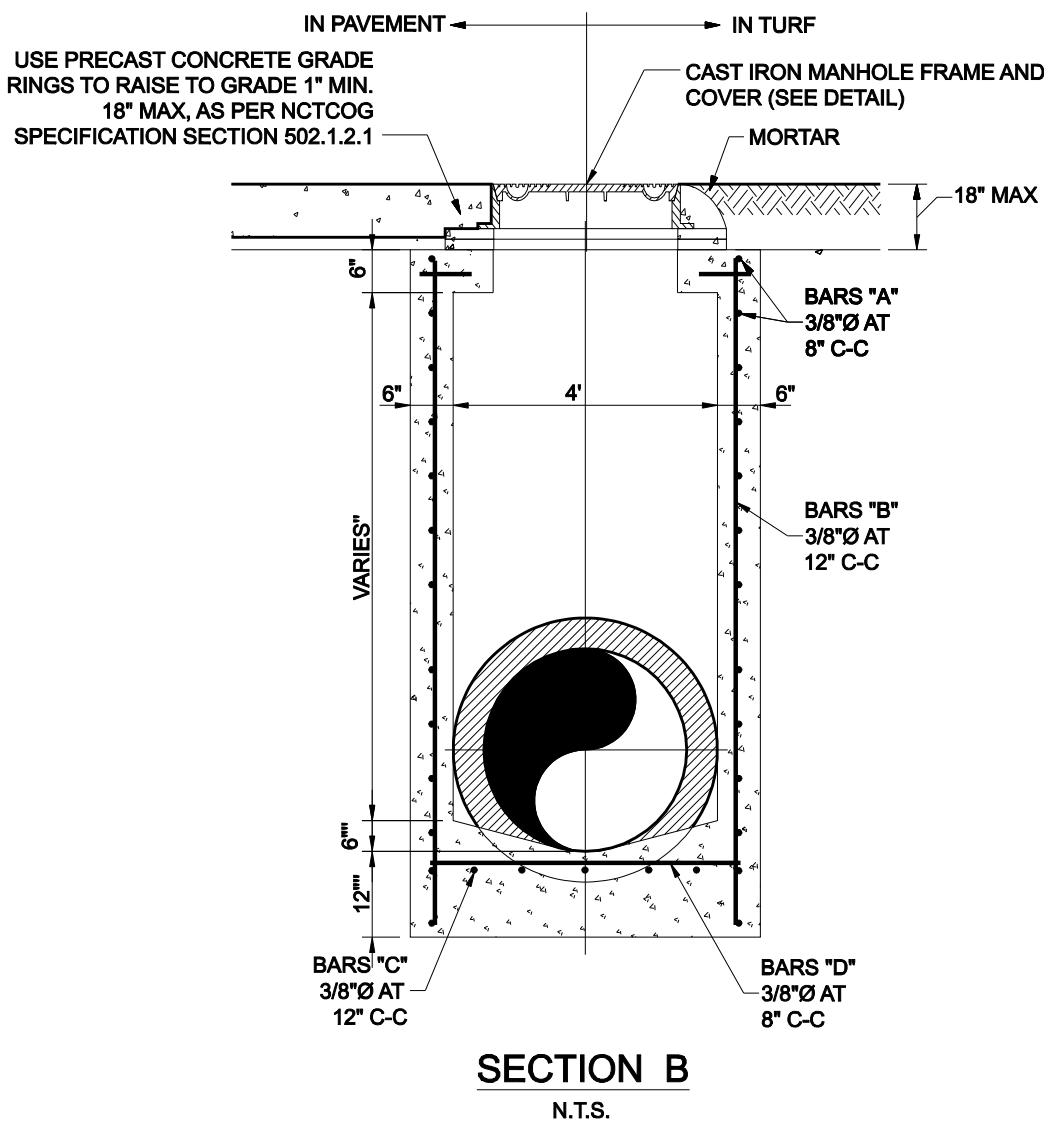
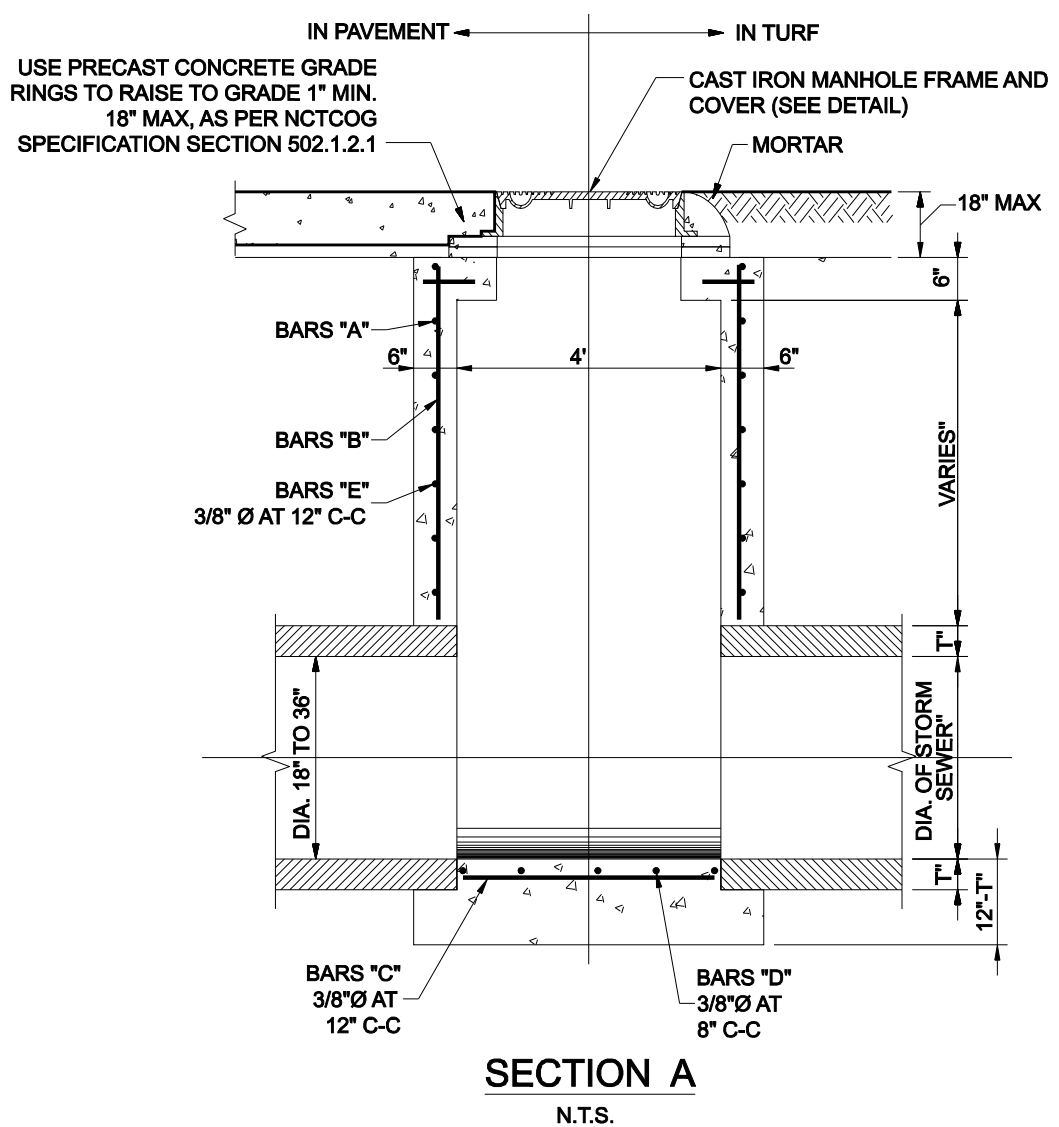
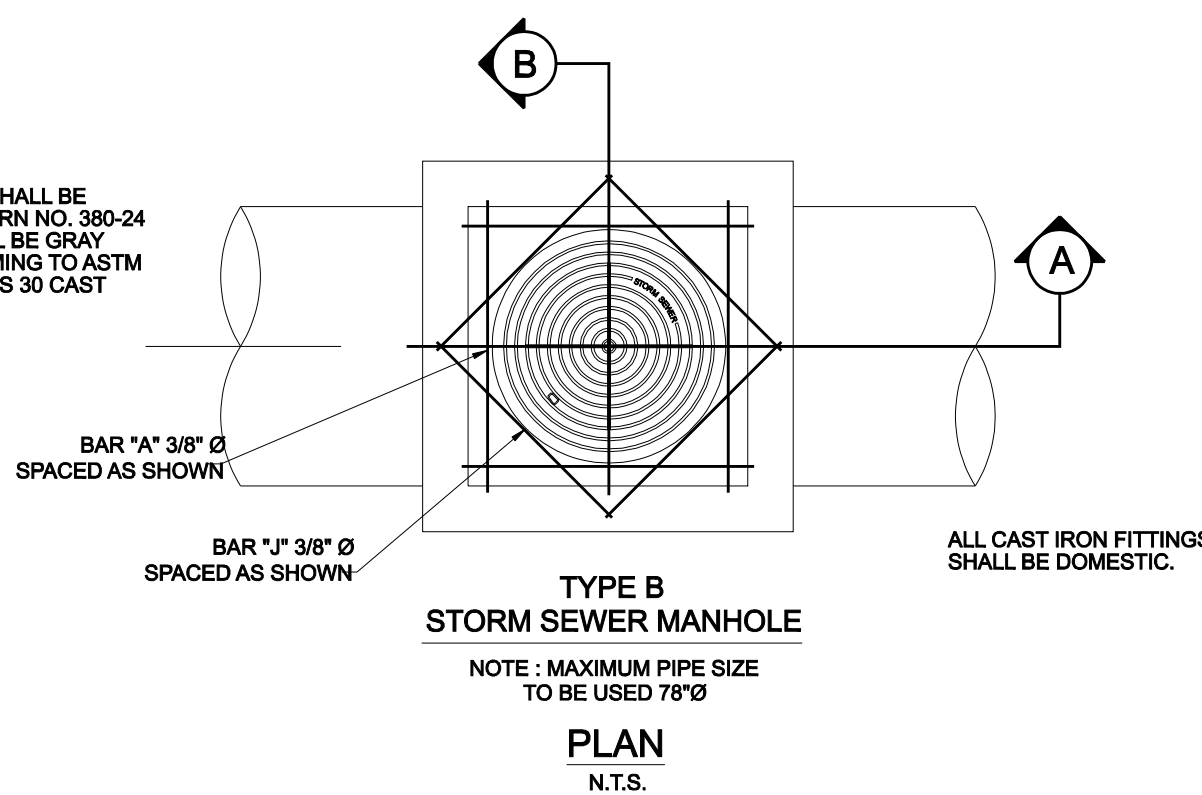
STORM DRAIN GENERAL NOTES

- ALL CONCRETE DRAINAGE STRUCTURES SHALL HAVE A MINIMUM COMPRESSED STRENGTH OF 3600 P.S.I.
- ALL CRUSHED STONE SHALL BE 3/4", PASSING #4 SIEVE.
- ALL FIELD JOINTS WILL BE APPROVED BY THE CITY ENGINEER IF NECESSARY. FIELD JOINTS SHALL BE WIPED ON THE INSIDE AND OUTSIDE TO PROVIDE FOR SMOOTH FLOW OF WATER.
- RAMNECK COMPOUND OR APPROVED EQUAL SHALL BE USED FOR JOINT SEALS.
- ALL STORM SEWER PIPE SHALL BE CAMERA INSPECTED AFTER THE INSTALLATION OF ALL PAVING, UTILITIES, AND PRIOR TO FINAL ACCEPTANCE OF THE PROJECT.

NOTE:
FRAME AND COVER SHALL BE BASS & HAYES PATTERN NO. 380-24 OR EQUAL AND SHALL BE GRAY CAST IRON CONFORMING TO ASTM SPEC. A-48 FOR CLASS 30 CAST IRON.



NOTE:
FRAME AND COVER SHALL BE BASS & HAYES PATTERN NO. 380-24 OR EQUAL AND SHALL BE GRAY CAST IRON CONFORMING TO ASTM SPEC. A-48 FOR CLASS 30 CAST IRON.



TYPE 'A' STORM DRAIN MANHOLE
N.T.S.

TYPE 'B' STORM DRAIN MANHOLE
N.T.S.



NO.		REVISION	BY	DATE
<p>icon Consulting Engineers, Inc. 2840 W. Southlake Blvd., Suite 110 Civil Engineers - Designers - Planners Southlake, TX 76092 (817) 552-6210 Engineering Firm Registration Number F-9007</p>				
PAVING, DRAINAGE & UTILITY IMPROVEMENTS				
VITRUVIAN PARK PUBLIC INFRASTRUCTURE BLOCK 200				
TOWN OF ADDISON, TEXAS				
STORM DRAIN DETAILS				
DESIGN	DRAWN	DATE	SCALE	NOTES
ICE	ICE	APR 17, 2019	AS NOTED	Sheet No. 29