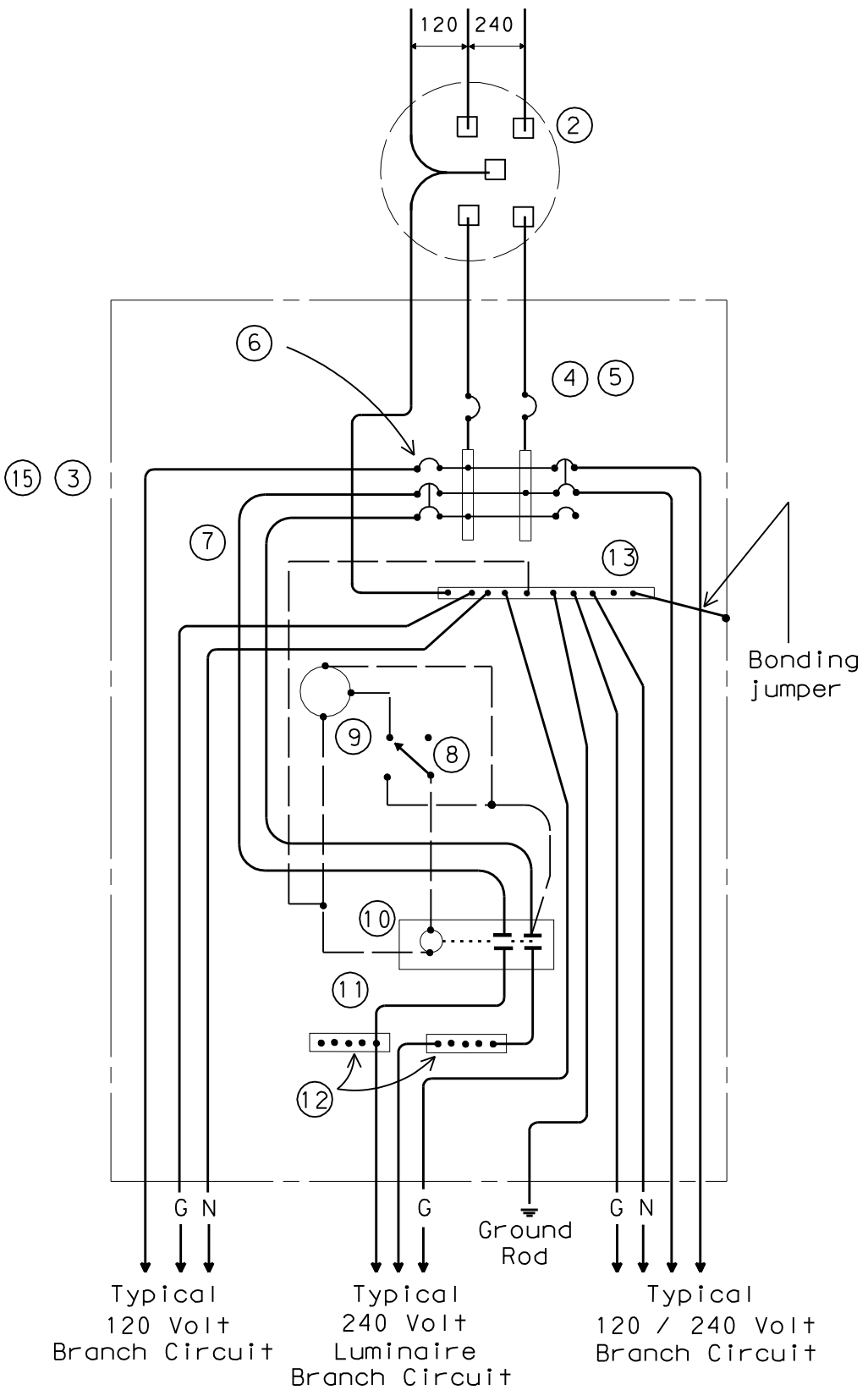


Two Photocell viewing windows not shown but required when photocell is listed as enclosure mounted.

SCHEMATIC LEGEND

- 1 - Omit
- 2 - Meter
- 3 - Service Assembly Enclosure
- 4 - Main Disconnect Breaker
- 5 - Lightning Arrestor - Delta LA302 or Eq
- 6 - Circuit Breakers
- 7 - Lighting Contactor Feed
- 8 - Control Station ("H-O-A" Switch)
- 9 - Photo Electric Control (enclosure-mounted)
- 10 - Lighting Contactor
- 11 - Power Distribution Block Feed
- 12 - Power Distribution Terminal Blocks - S&B LBA or Eq
- 13 - Neutral/Ground Bus
- 14 - Omit
- 15 - Load Center

- Control Wiring
- Equipment grounding conductor always required
- N ----- Neutral Conductor (for 120 volt loads only)
- G ----- Power Wiring



SCHEMATIC TYPE D
120/240 VOLTS - THREE WIRE

TYPE D SERVICE NOTES

Photocell and lighting contactor shall be located in the same UL type 3R enclosure with load center. There shall be a window on each side of enclosure to allow operation of photocell. Both photocell, contactor and breaker area shall have dead front trim. Type D load center with lighting controls shall have power distribution blocks for a minimum of 10, #4 conductors.

ELECTRIC SERVICE PEDESTAL SCHEMATIC

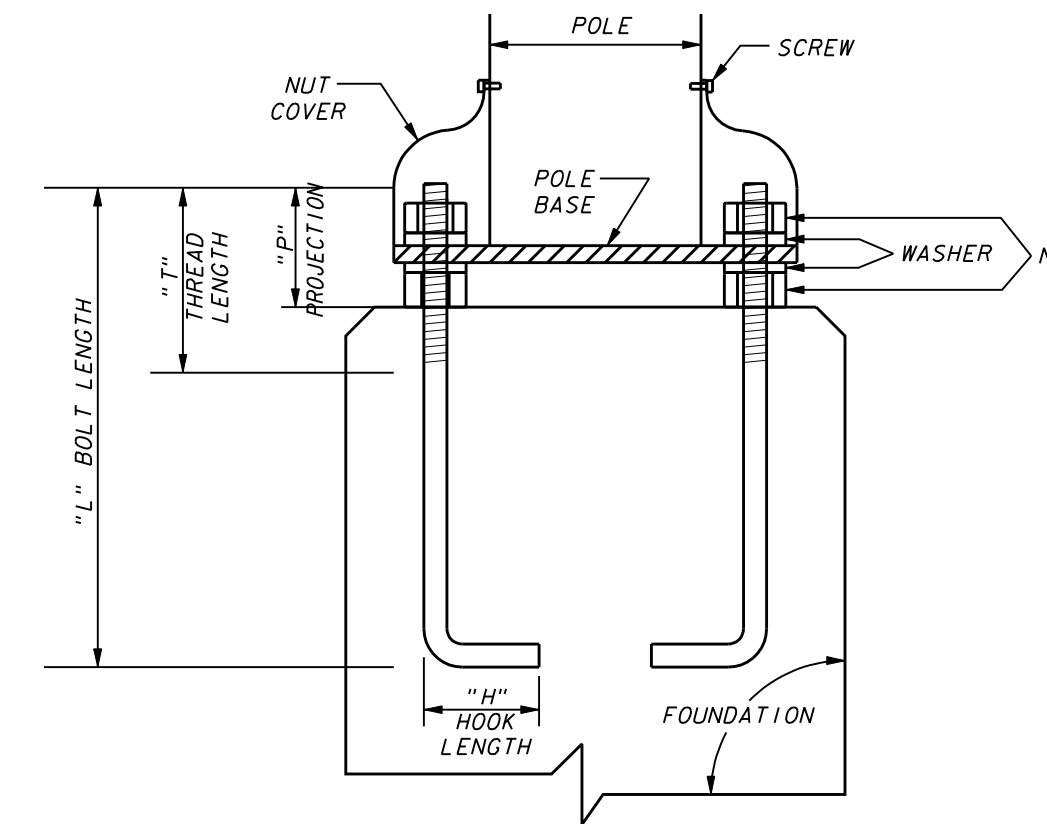
Panel Schedule				Single Phase				Date: 6/27/2016			
Project: Marsh Lane & Westgate Lane - Vitruvian Park Block 200											
Panel Name:		MW Pedestal		Volts-L-L:		240		Main Bkr:		200 Amps	
Mfg:				Volts-L-G:		120		Main Lugs:		Amps	
Model:				Phase:		1		Panel AIC:		22,000 Amps	
Description:				Wires:		3		Neutral Bar:		Y / N	
Location:		1		"I" = Indoor, "O" = Outdoor				Ground Bar:		Y / N	
Breaker Mounting:		S		"S" = Standard, "B" = Bolt-In							

Pos. No.	Bkr No.	Trip Amps	No. Bkr Poles	Serves	Load VA		Pos. No.	Bkr No.	Trip Amps	No. Bkr Poles	Serves
					L1	L2					
1	60	2	2	Lighting Contactor 1	< 5760		2		2	2	Space
3	60			Lighting Contactor 1	< 5760		4				Space
5	60	2	2	Contactor 2	< 5760		6	20	1		Irrigation Controller
7	60			Contactor 2	< 5760		8	20	1		Pedestal Duplex Outlet
9			1	Space	< 1920		10	20	1		Spare
11			1	Space	< 1920		12	20	1		Spare

CONTACTOR 2 FEED SUB-PANEL											
Pos. No.	Bkr No.	Trip Amps	No. Bkr Poles	Serves	Load VA	Pos. No.	Bkr No.	Trip Amps	No. Bkr Poles	Serves	
1	20	1	1	W SE Black Tree Outlets	< 1200	2	20	1	1	W SE Blue Tree Outlets	
3	20	1	1	W NE Black Tree Outlets	< 1200	4	20	1	1	W NE Blue Tree Outlets	
5	20	1	1	FUT Black Tree Outlets	< 1600	6	20	1	1	FUT Blue Tree Outlets	
7	20	1	1	FUT Black Tree Outlets	< 1600	8	20	1	1	FUT Blue Tree Outlets	

Connected VA per Leg = 19200 19200
Total Amps per Leg = 160 160

MW PEDESTAL PANEL SCHEDULE

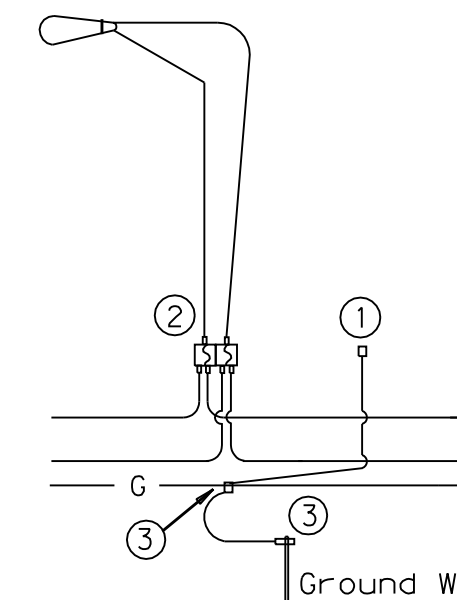


- NOTES:**
- USE ANCHOR BOLT TEMPLATE FURNISHED BY POLE MANUFACTURER FOR ANCHOR BOLT ALIGNMENT.
 - ALL EXPOSED HARDWARE TO BE STAINLESS STEEL.

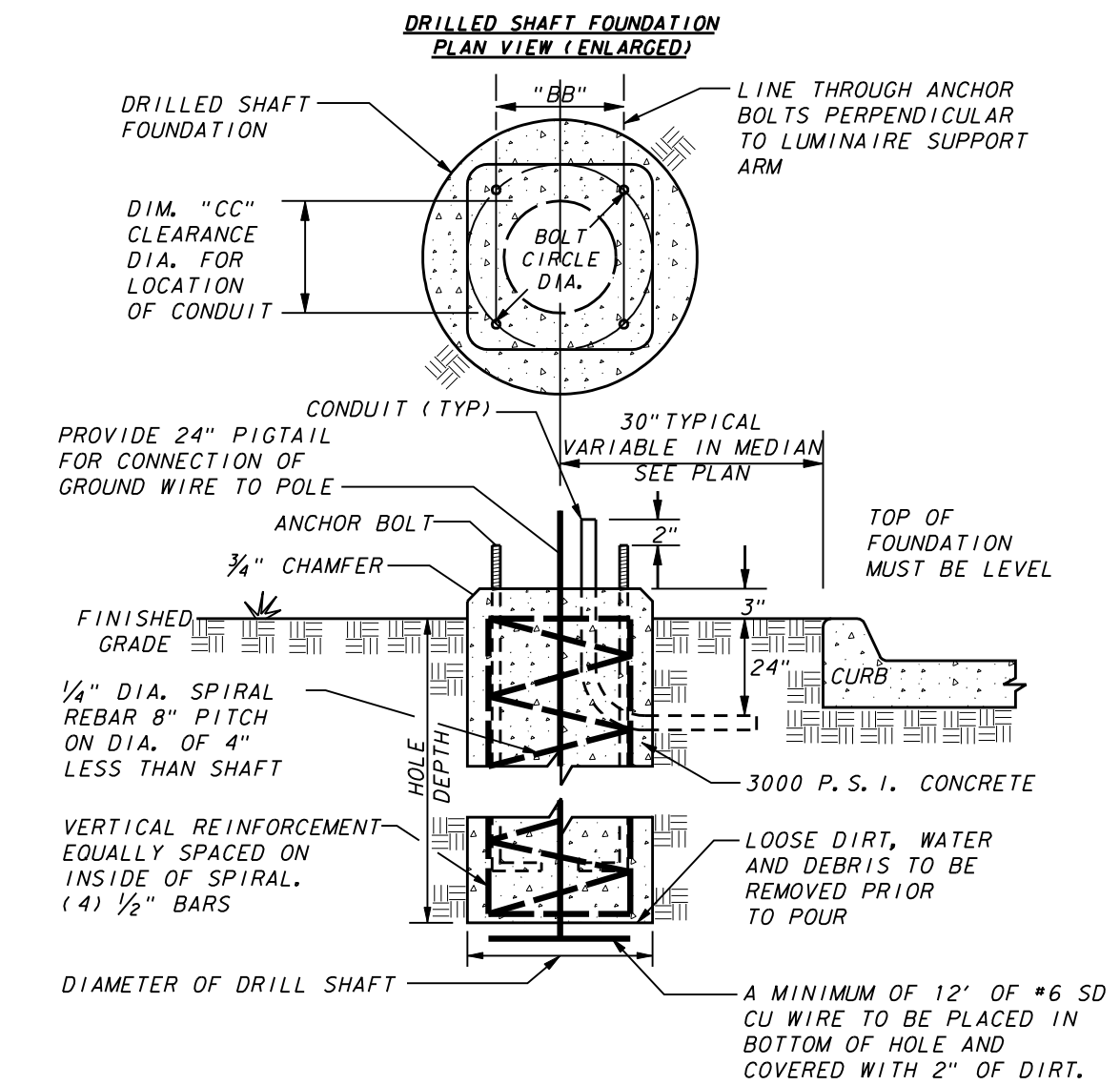
TYPE NO.	BOLT DIA. (IN.)	LENGTH "L" (IN.)	HOOK "H" (IN.)	THREAD "T" (IN.)	PROJECTION "P" (IN.)
45	3/4	17	3 1/2	5 1/2	3 1/2
47	1	36	4	6	4

SUPPLY 2 NUTS & 2 WASHERS WITH EACH BOLT

ANCHOR BOLT DETAIL

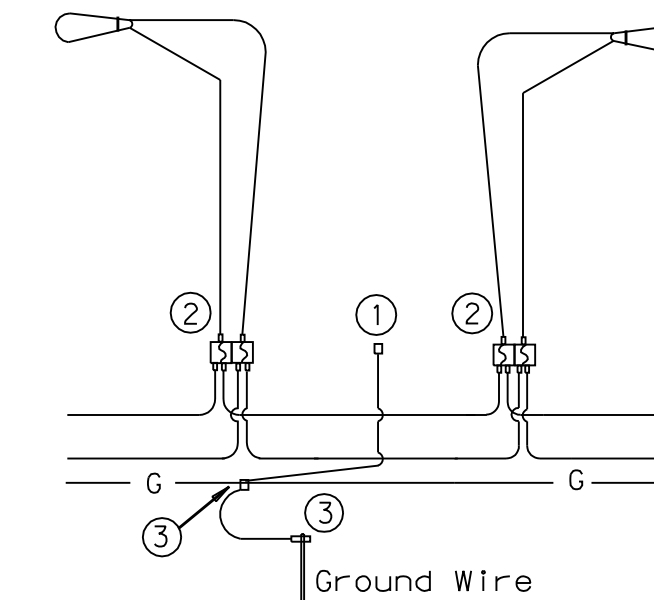


FOR THREE-WIRE CIRCUIT-CENTER GROUNDED LUMINAIRES SERVED AT 240V FOR 120/240 VOLT SERVICE
SINGLE FIXTURE



TYPE NO.	SHAFT DEPTH	BOLT CIRCLE DIA.	ANCHOR BOLT TYPE NO.	CONDUIT CLEARANCE DIM. "CC"	DISTANCE ACROSS BOLTS DIM. "BB"
1	60"	18"	9 1/2"	4 1/2"	6 3/4"
2	60"	18"	9 1/2"	4 1/2"	6 3/4"
3	72"	24"	11 1/2"	7 1/2"	8 3/8"
4	72"	24"	11 1/2"	7 1/2"	8 3/8"

DRILLED SHAFT FOUNDATION



FOR THREE-WIRE CIRCUIT-CENTER GROUNDED LUMINAIRES SERVED AT 240V FOR 120/240 VOLT SERVICE
DOUBLE FIXTURE

NOTES:

- Use threaded, copper or tin-plated copper, pole bonding connector, sized appropriately for conductors.
- Double-Pole In-line fuse and connector, sized appropriately for conductors. Bussmann TRON HEY with 2A0660 & 2A0661 Insulating Boots and LIMITRON KTK-R fast acting fuses or equal - 100W fixture use 1 amp fuses, 400 W fixture use 4 amp fuses.
- Split Bolt or other connector.

ELECTRICAL CONNECTION DETAIL



NO.	REVISION	BY	DATE

icon Consulting Engineers, Inc. 2840 W. Southlake Blvd., Suite 110
Civil Engineers - Designers - Planners Southlake, TX 76092 (817) 552-6210
Engineering Firm Registration Number F-9007

PAVING, DRAINAGE & UTILITY IMPROVEMENTS
VITRUVIAN PARK PUBLIC INFRASTRUCTURE BLOCK 200
TOWN OF ADDISON, TEXAS

STREET LIGHT DETAILS

DESIGN	DRAWN	DATE	SCALE	NOTES	Sheet No.
ICE	ICE	APR 17, 2019	AS NOTED		36