

MATCHLINE STA 4+00

MATCHLINE STA 4+00

4+00

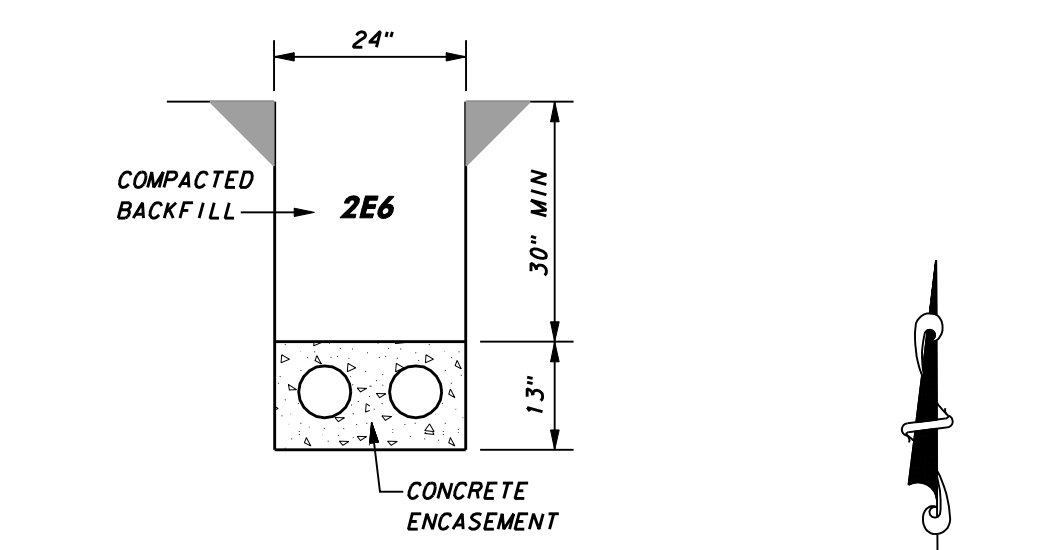
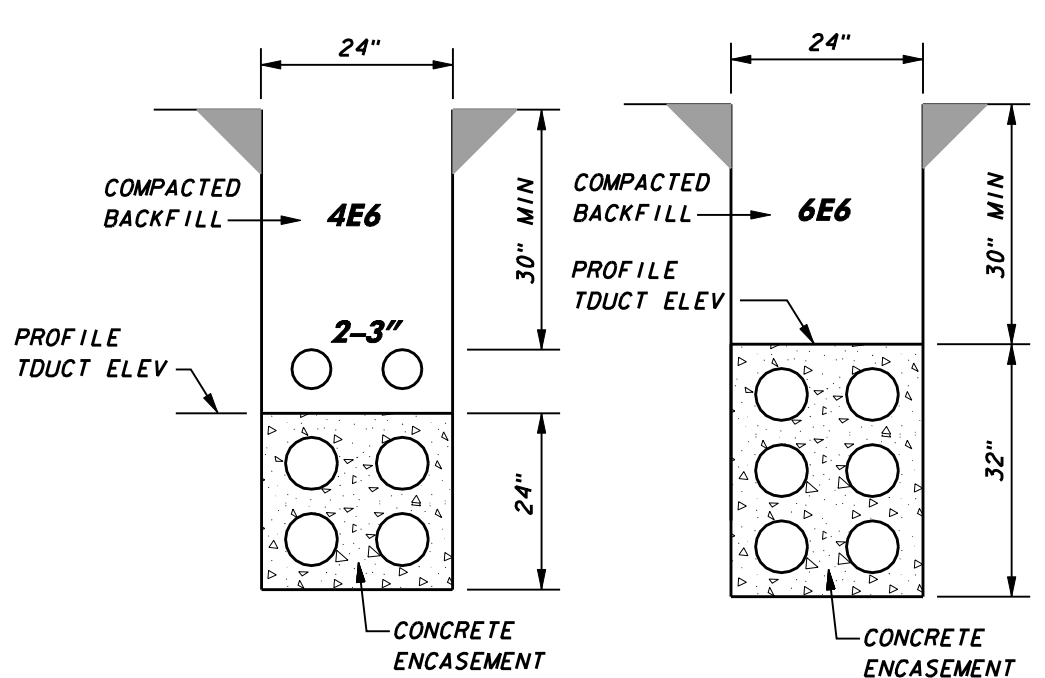
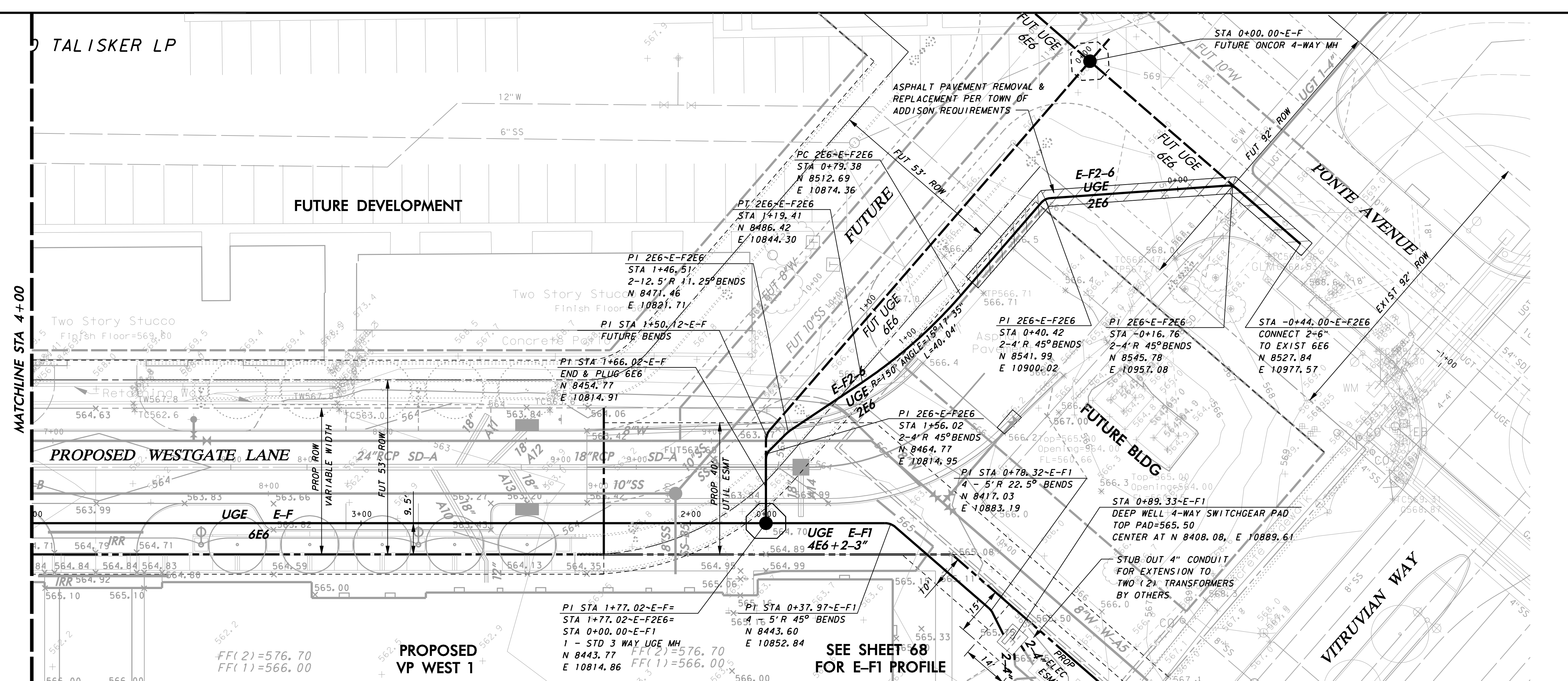
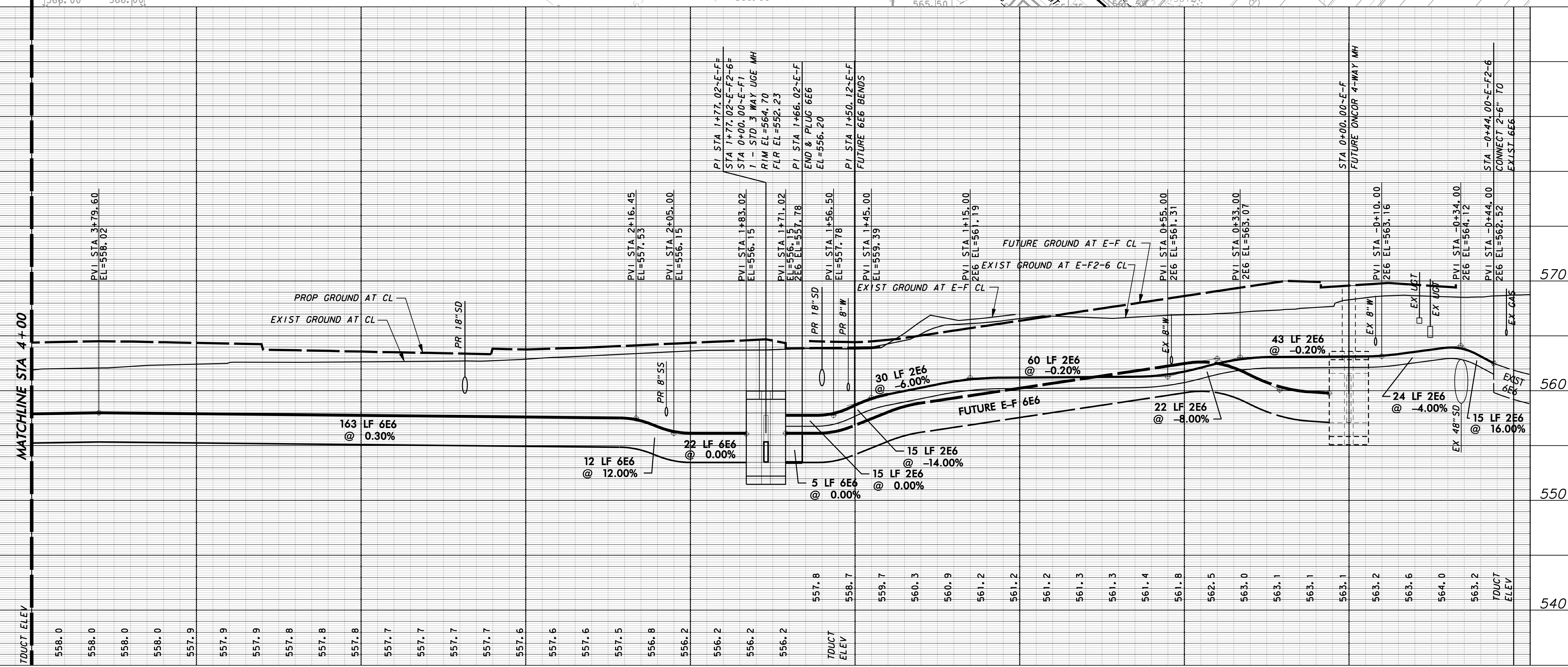
3+00

2+00

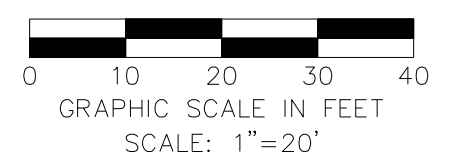
1+00

0+00

-0+50

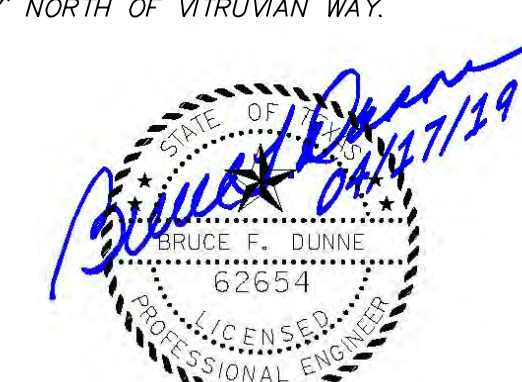
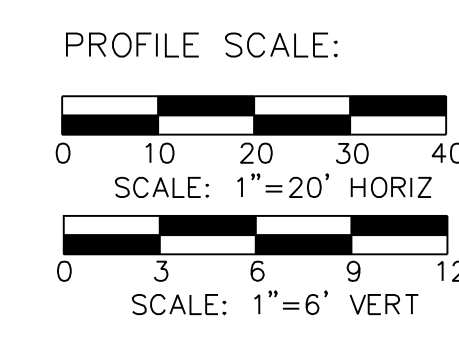


NOTE:
1. SEE OVERALL DUCT BANK PLAN FOR GENERAL NOTES.



WARNING
CONTRACTOR IS TO CONTACT TEXAS ONE-CALL SYSTEM (1-800-245-4545) OR OTHER UTILITY LOCATING SERVICES AT LEAST 48 HOURS PRIOR TO CONSTRUCTION ACTIVITIES. ICON CONSULTING ENGINEERS, INC. IS NOT RESPONSIBLE FOR KNOWING ALL EXISTING UTILITIES IN THE PROJECT AREA NOR FOR DEPICTING THE EXACT LOCATIONS OF UTILITIES ON THESE DRAWINGS.

BM #1 REF. ELEVATION = 547.84
SQUARE CUT IN TOP OF CURB, NORTH MEDIAN END NOSE, AT INTERSECTION OF VITRUVIAN WAY AND MARSH LANE.
BM #2 REF. ELEVATION = 559.47
SQUARE CUT IN TOP OF CURB, SOUTH MEDIAN END NOSE, MARSH LANE 1127' NORTH OF VITRUVIAN WAY.



NO.	REVISION	BY	DATE

icon Consulting Engineers, Inc. 2840 W. Southlake Blvd., Suite 110
Civil Engineers - Designers - Planners Southlake, TX 76092 (817) 552-6210
Engineering Firm Registration Number F-9007

PAVING, DRAINAGE & UTILITY IMPROVEMENTS
VITRUVIAN PARK PUBLIC INFRASTRUCTURE BLOCK 200
TOWN OF ADDISON, TEXAS
ELECTRIC DUCT BANK PLAN & PROFILE
LINE F - STA 1+66 TO 4+00

DESIGN	DRAWN	DATE	SCALE	NOTES	Sheet No.
ICE	ICE	APR 17, 2019	AS NOTED		64

VITRUVIAN PARK BLOCK 200 PUBLIC INFRASTRUCTURE - PROJECT NO. 5029-04