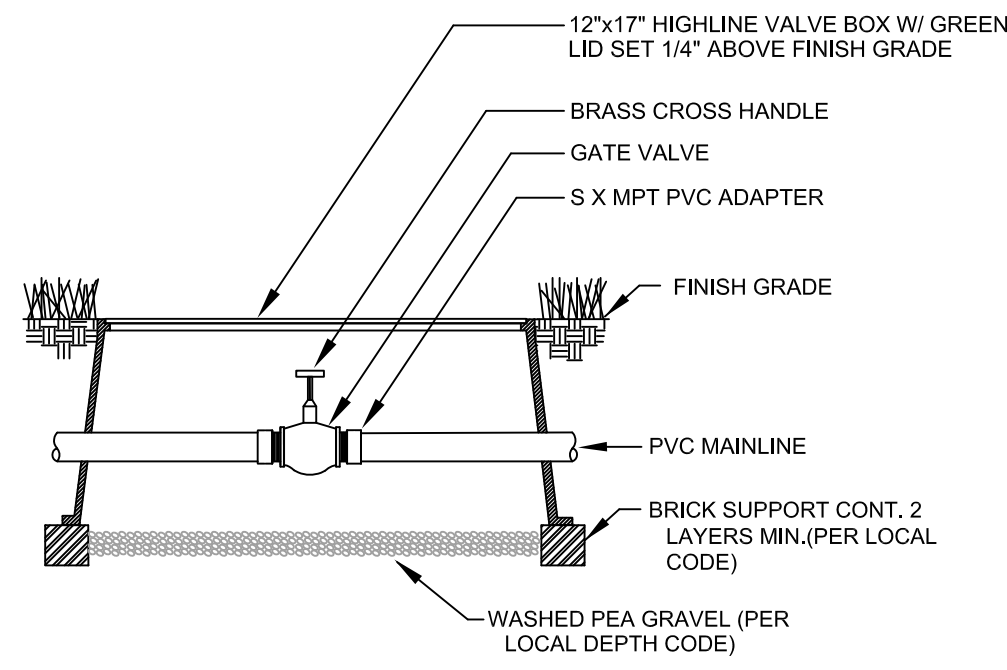
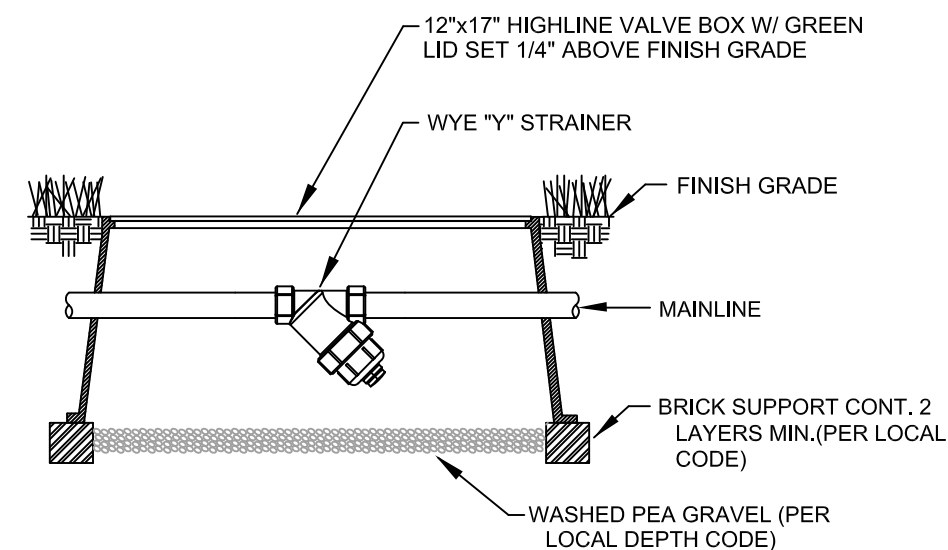


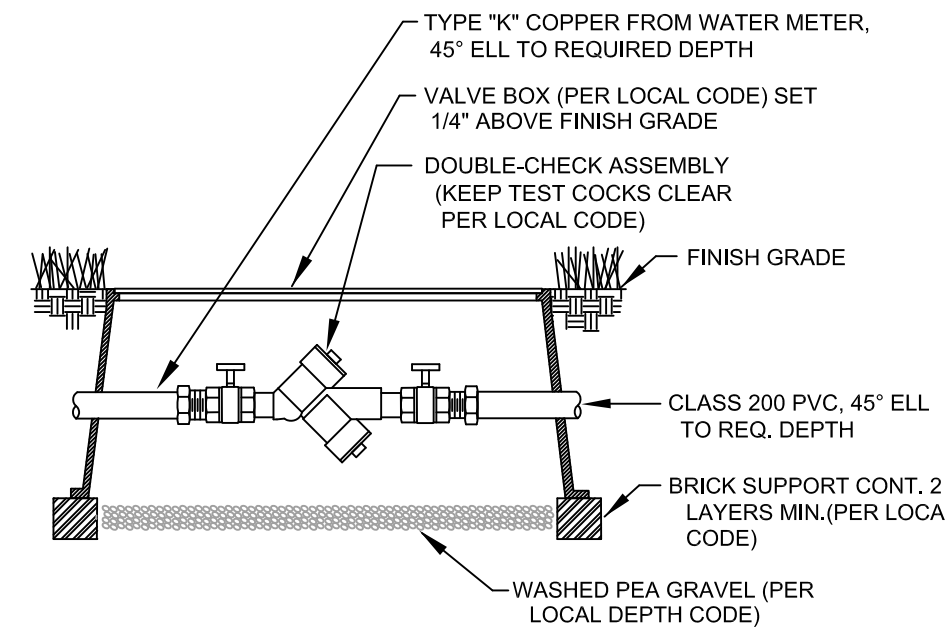
WATER SOURCE LAYOUT



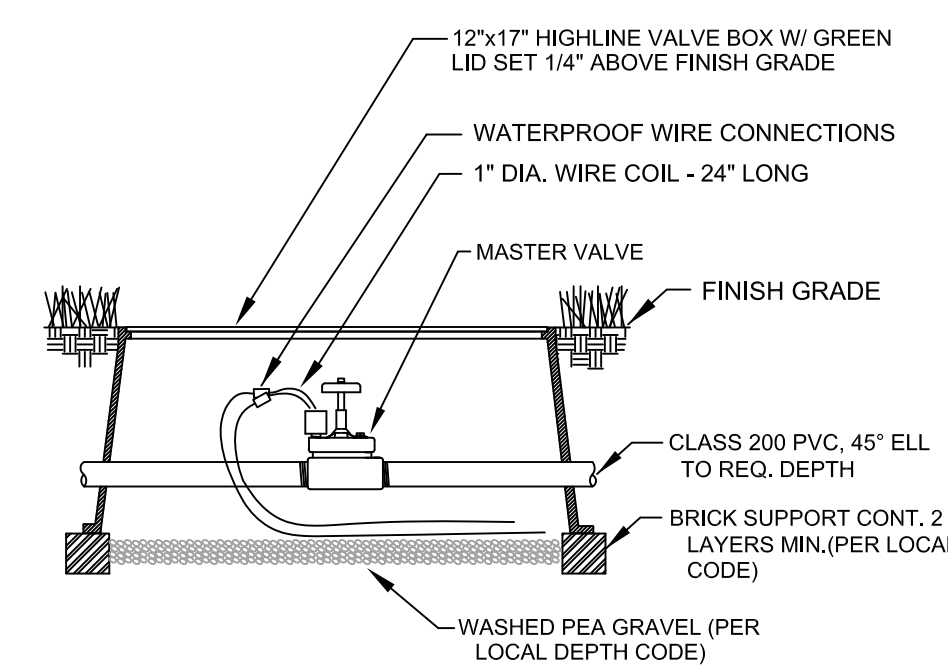
ISOLATION VALVE



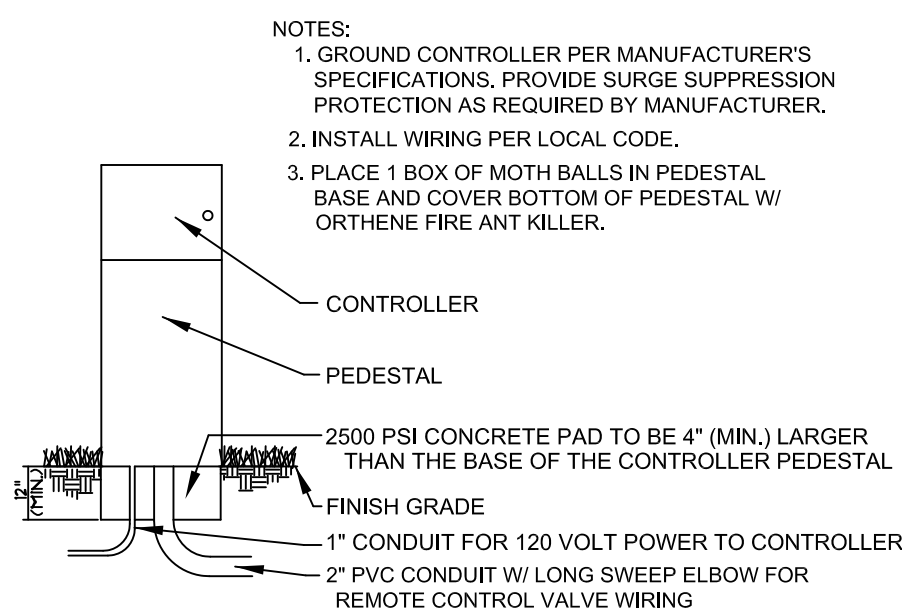
WYE "Y" STRAINER



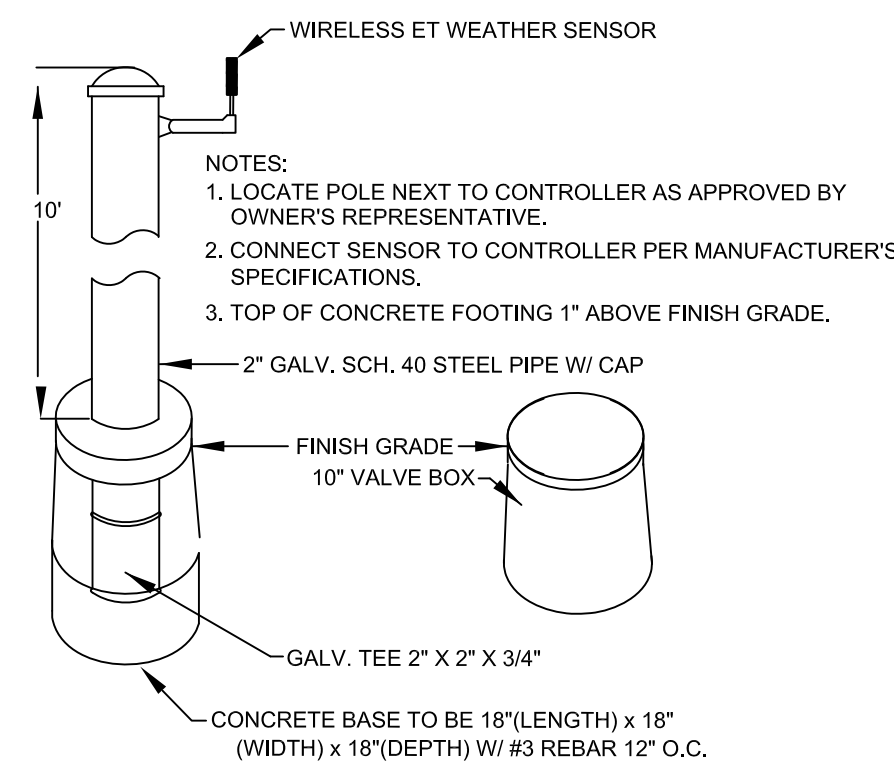
DOUBLE CHECK ASSEMBLY



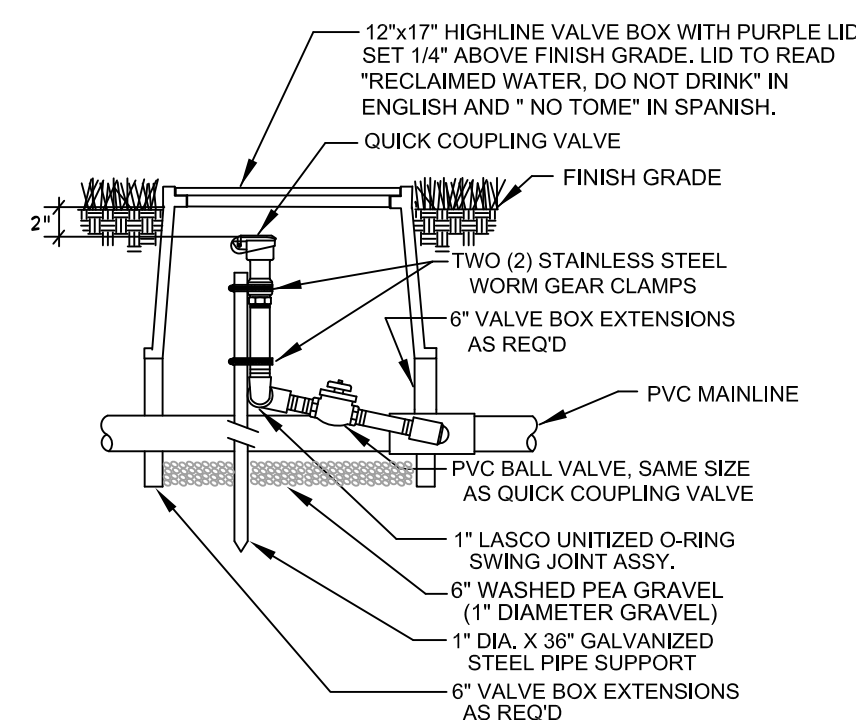
MASTER VALVE



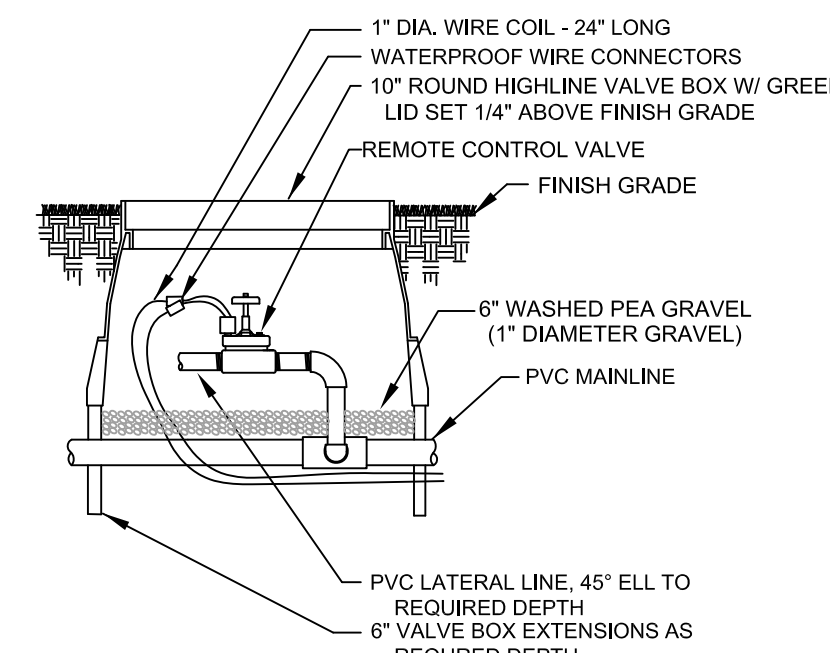
CONTROLLER WITH PEDESTAL



SENSOR POLE

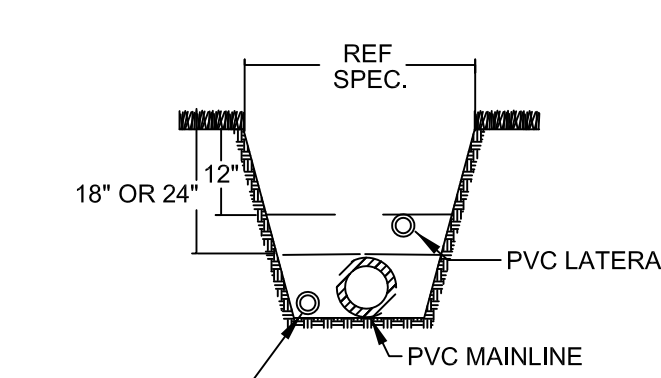


QUICK COUPLING VALVE W/ BALL VALVE

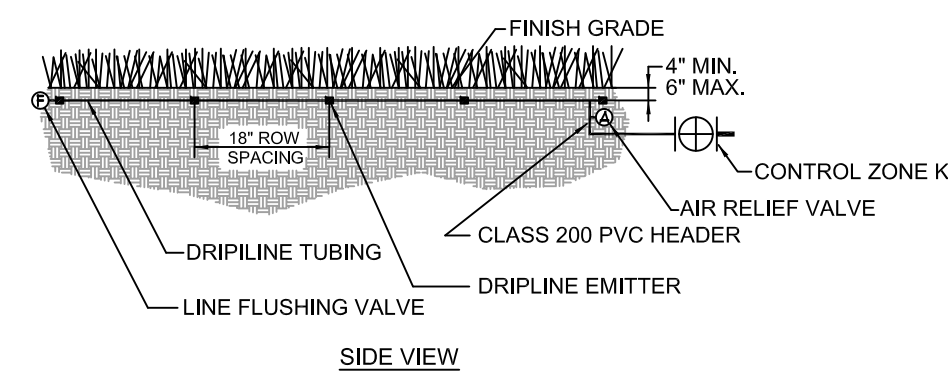


REMOTE CONTROL VALVE

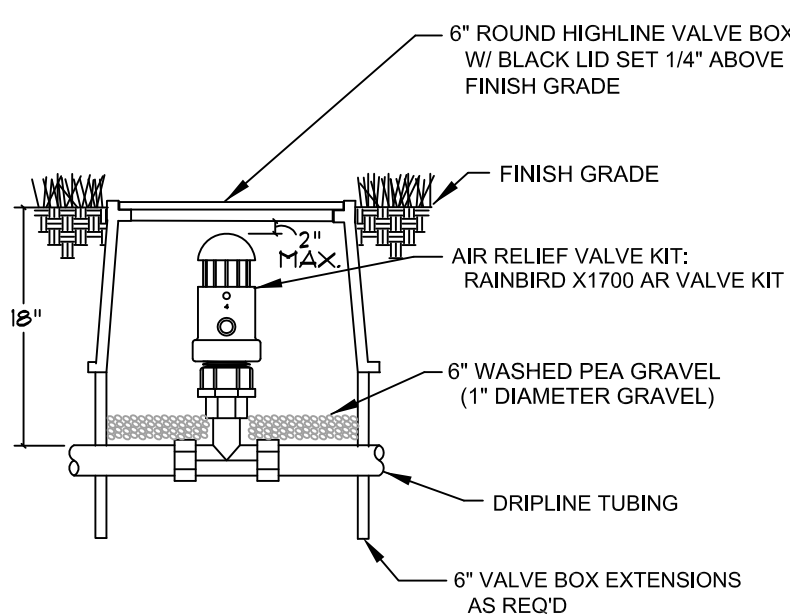
MAINLINE, LATERAL, AND WIRING



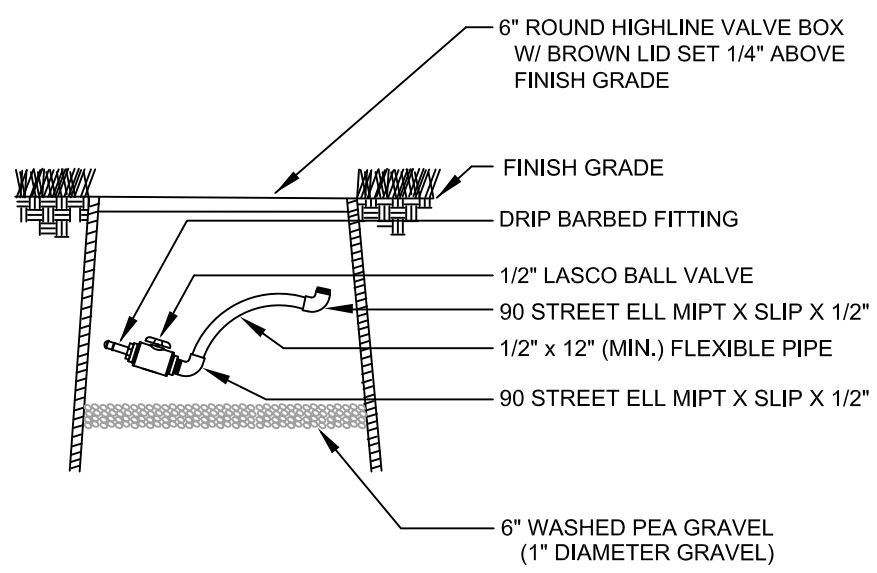
TRENCHING DETAIL



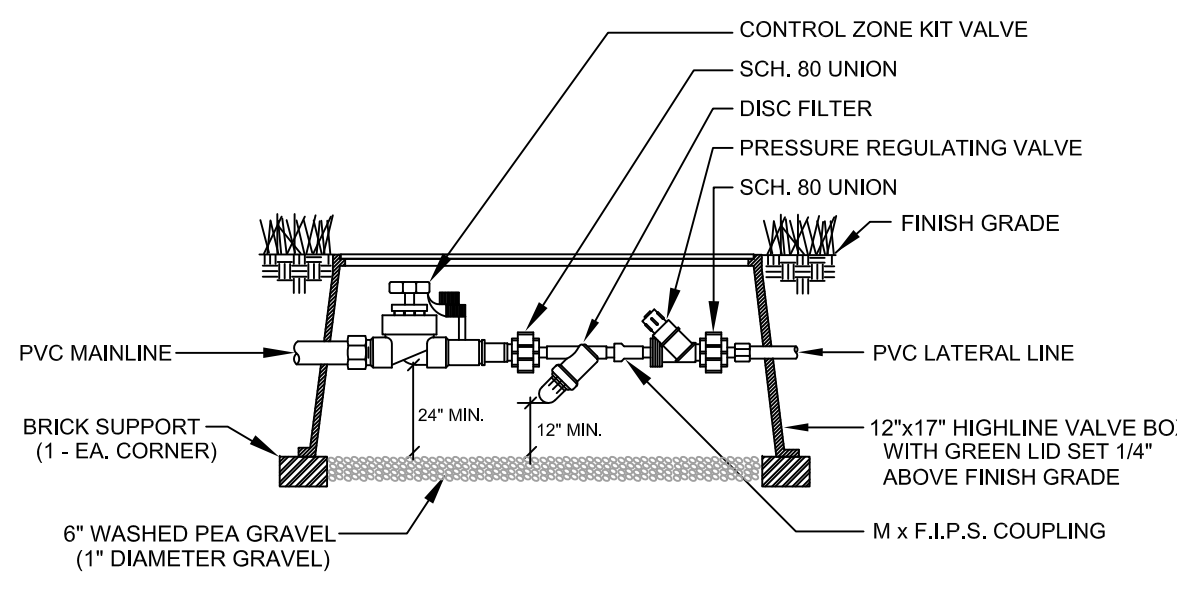
TYPICAL SUBSURFACE DRIPLINE LAYOUT



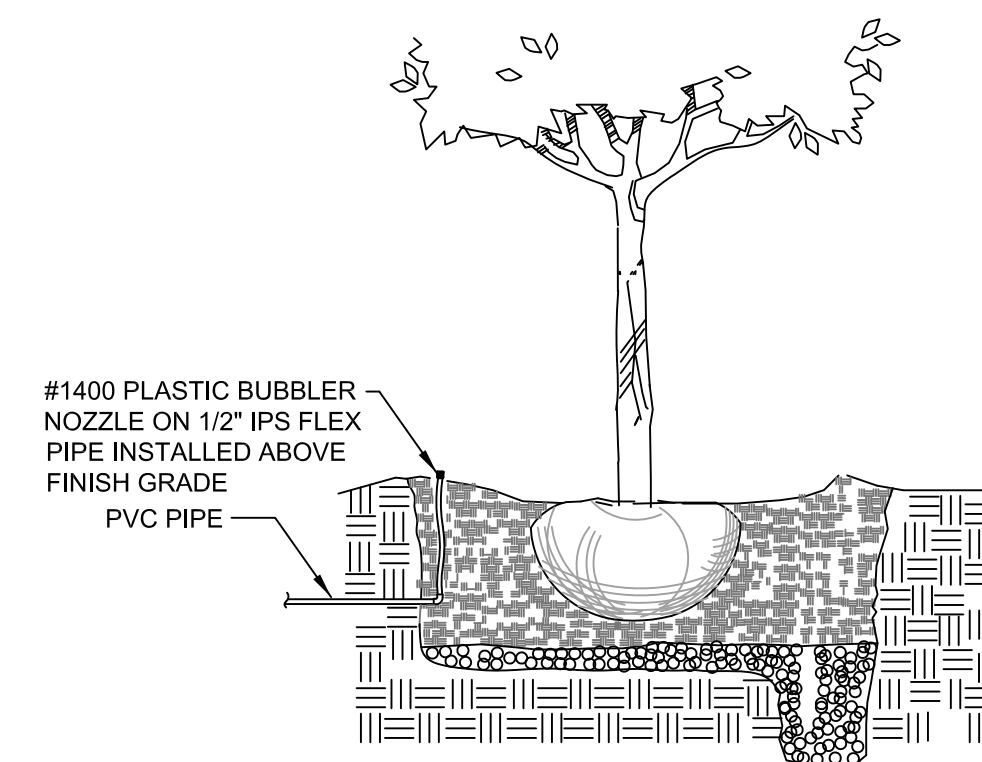
AIR RELIEF VALVE



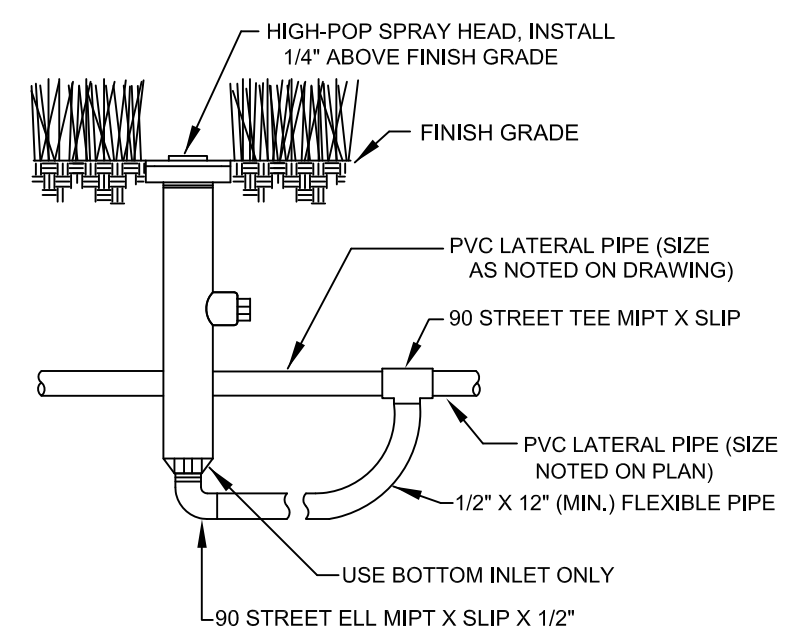
FLUSH VALVE



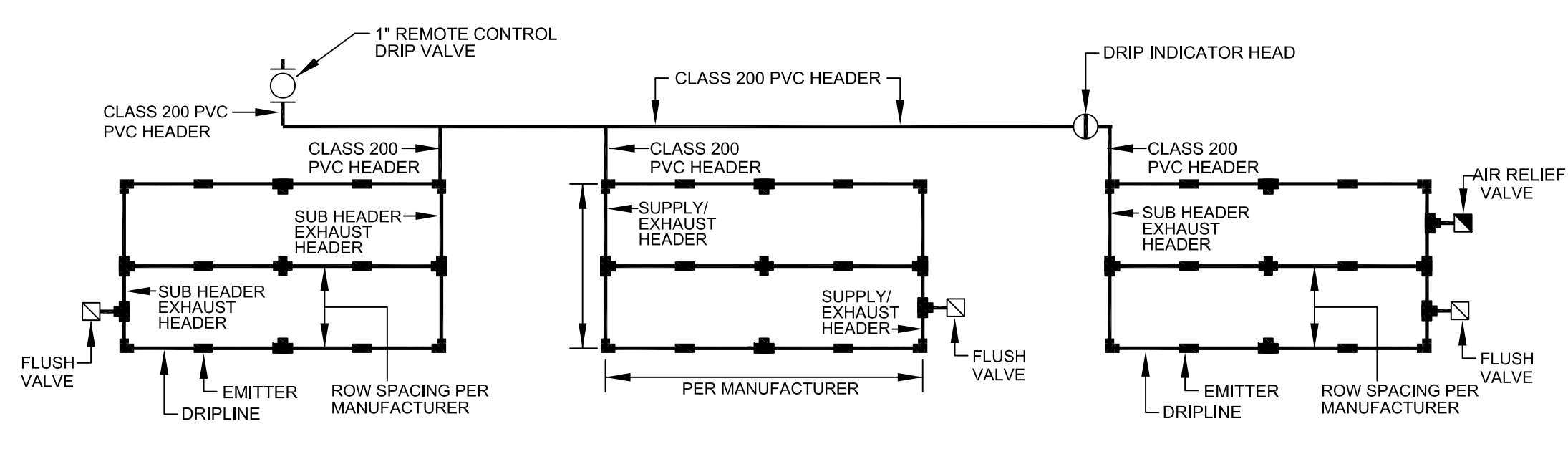
REMOTE CONTROL DRIP ZONE KIT



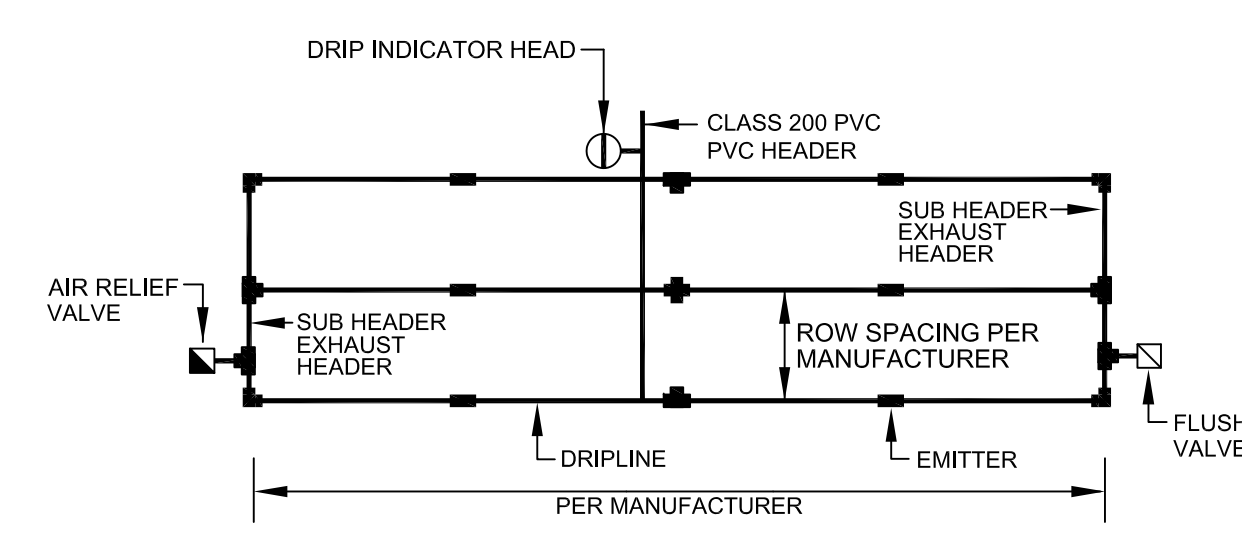
TREE BUBBLER



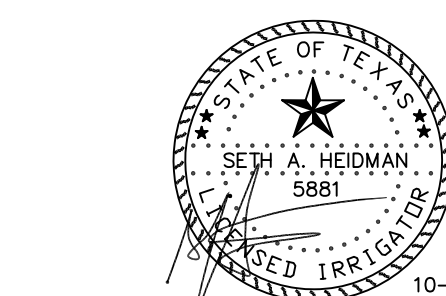
DRIP INDICATOR HEAD



TYPICAL DRIPLINE LAYOUT



TYPICAL DRIPLINE LAYOUT



SETH HEIDMAN IRRIGATION DESIGN & CONSULTING, LLC

NO.	REVISION	BY	DATE

studioOutside

824 Exposition Avenue, Ste. 5
Dallas, Texas 75226
o214.954.7160
f214.954.7162

PAVING, DRAINAGE & UTILITY IMPROVEMENTS

VITRUVIAN PARK PUBLIC INFRASTRUCTURE BLOCK 200

TOWN OF ADDISON, TEXAS

IRRIGATION DETAILS
MARSH LANE

DESIGN	DRAWN	DATE	SCALE	NOTES	Sheet No.
SAH	SAH	OCT 13, 2016	AS NOTED		89

Small text at the bottom right corner of the page.

VITRUVIAN PARK BLOCK 200 PUBLIC INFRASTRUCTURE - PROJECT NO. 16071