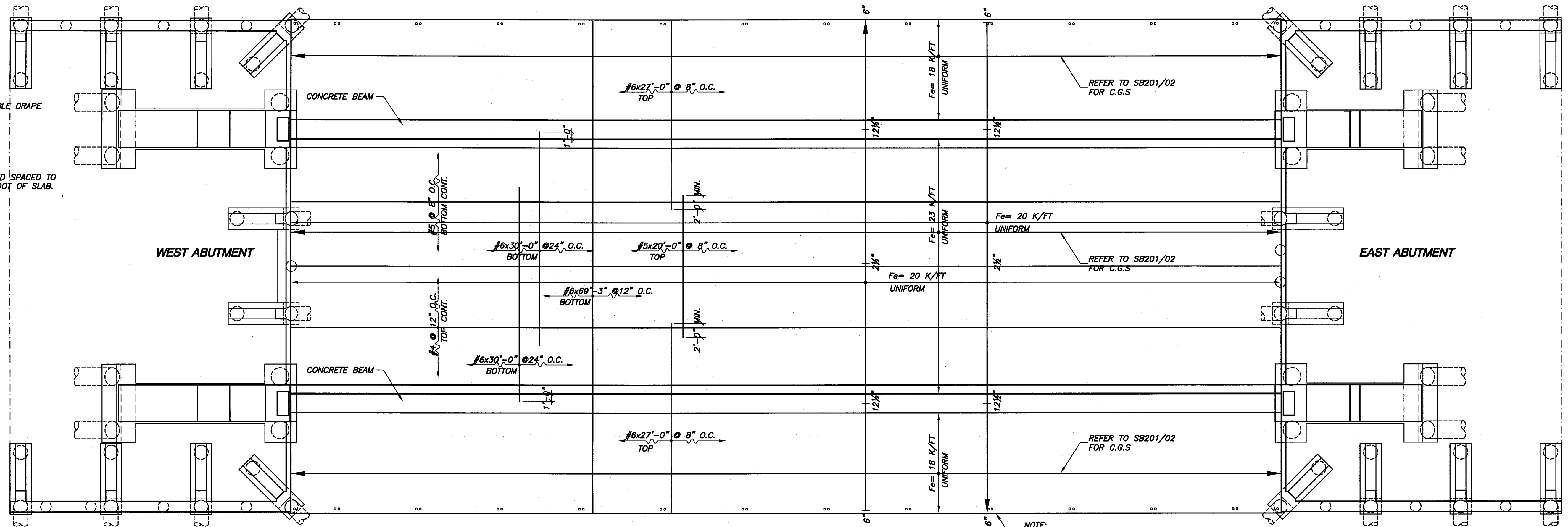
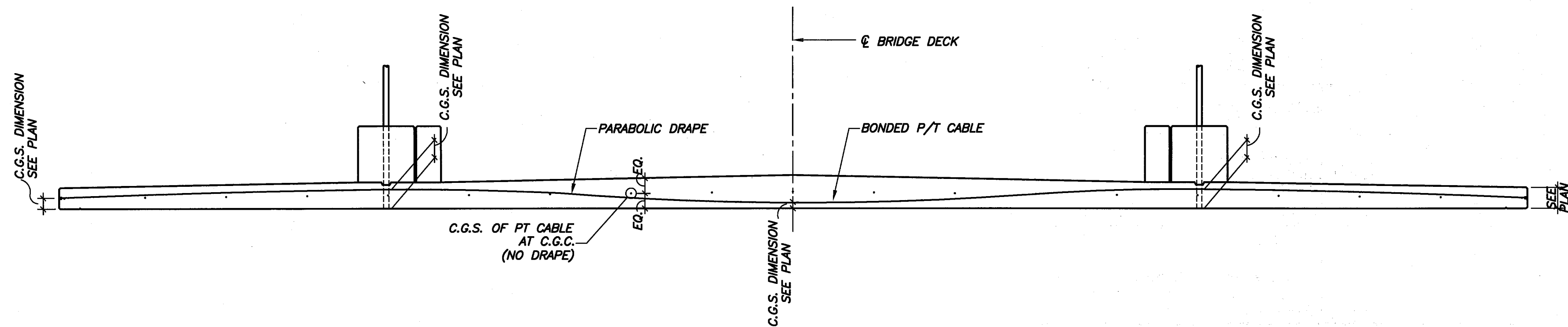


PLAN NOTES:

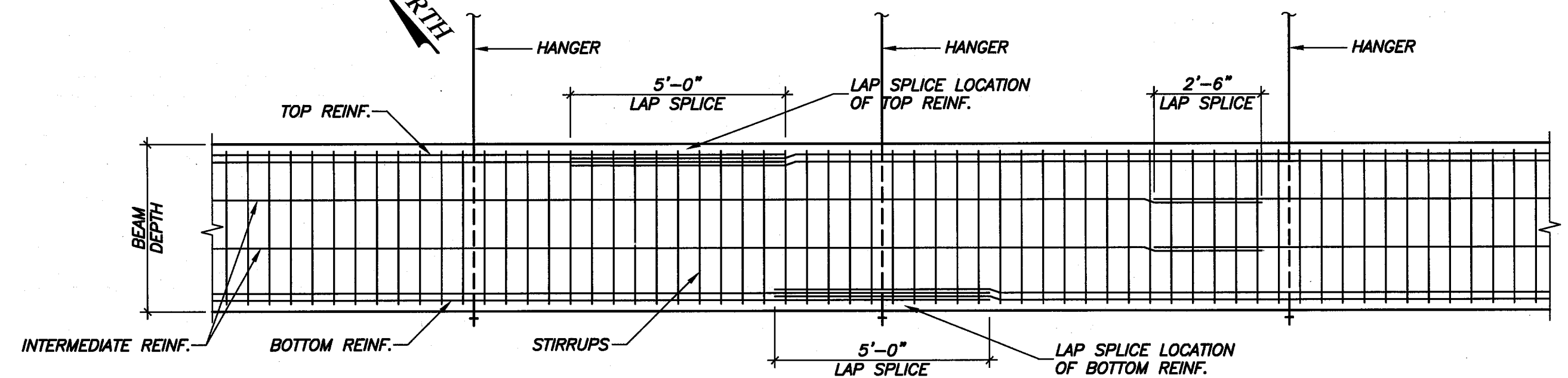
1. ALL POST-TENSIONING FORCES ARE EFFECTIVE.
2. $3'' \leftarrow 1''$ REFER TO SB201/02 FOR CABLE DRAPE PROFILES.
3. --- INDICATES CABLE DEAD END.
4. --- INDICATES CABLE STRESSING END.
5. ALL CABLES NOTED AS UNIFORM SHALL BE GROUPED AND SPACED TO PROVIDE THE EFFECTIVE FORCE INDICATED PER LINEAL FOOT OF SLAB.



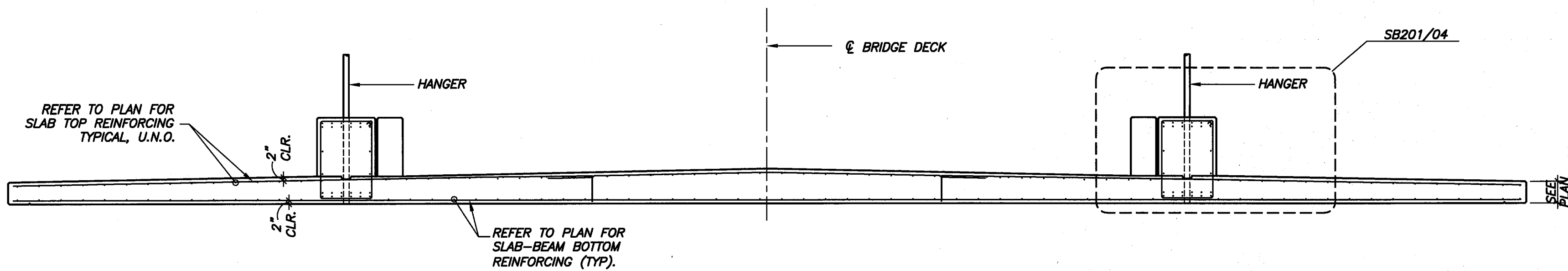
01 TRAFFIC BRIDGE MILD STEEL & PT CABLE PLAN
1/8"=1'-0"



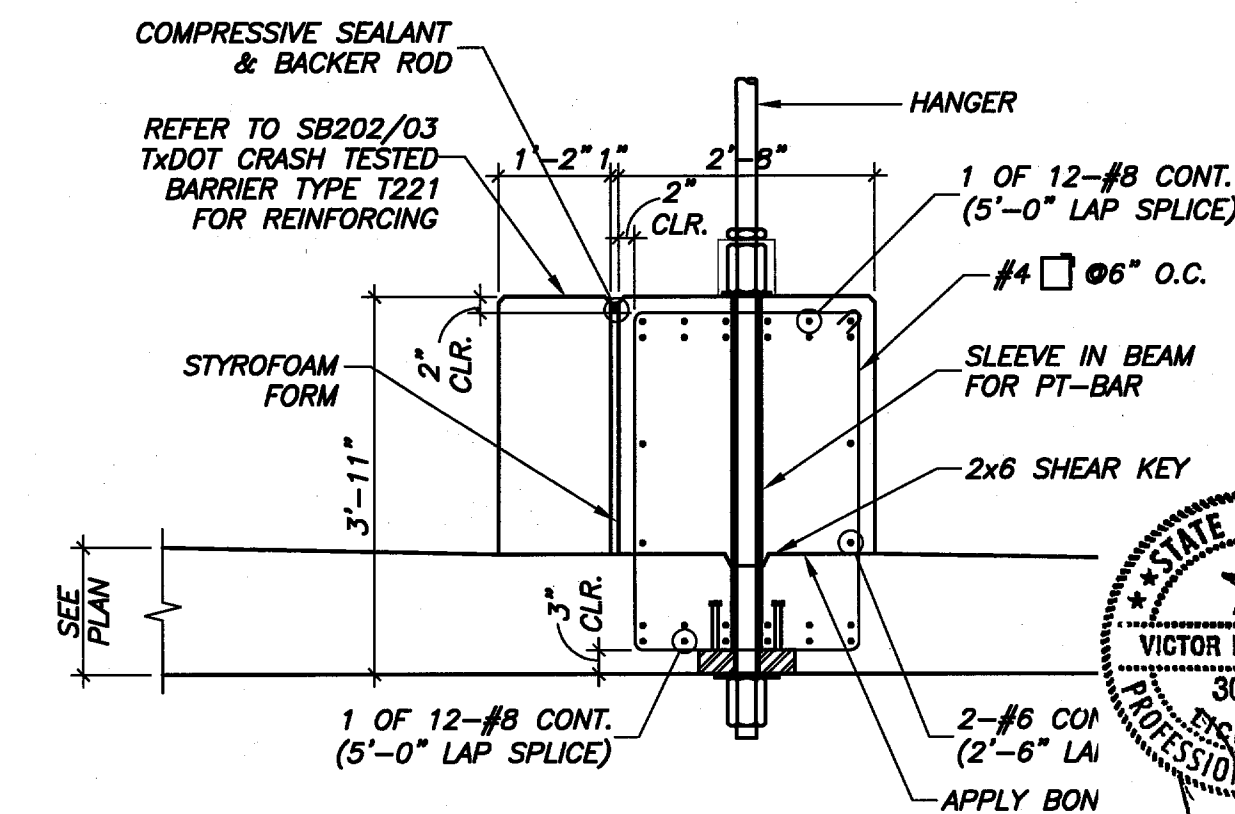
02 POST-TENSIONED CABLE PROFILE
N.T.S.



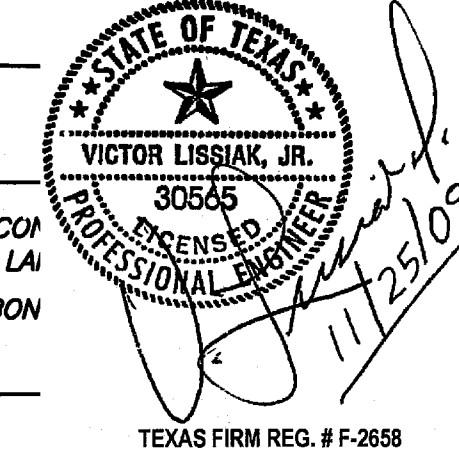
05 CONCRETE BEAM REINFORCING PROFILE
3/8"=1'-0"



03 MILD STEEL REINFORCING PROFILE
N.T.S.



04 TYP. BEAM REINFORCING DETAIL
1/2"=1'-0"



PRELIMINARY-FOR REVIEW ONLY		01/25/09	
NO.	REVISION	BY	DATE
TOWN OF ADDISON DALLAS COUNTY, TEXAS			
VITRUVIAN PARK BRIDGES PONTE AVE			
MILD STEEL & PT CABLE PLAN			
VIEWTECH, INC.		4205 Beltway Dr. - Addison, Texas 75001	
Structural Engineers		(972) 661-8167 Fax (972) 661-8172	
PROJECT	DESIGN	DRAWN	FILE
2007.144	VL	NERF	NOV. 25 2009
			SHEET
			SB201