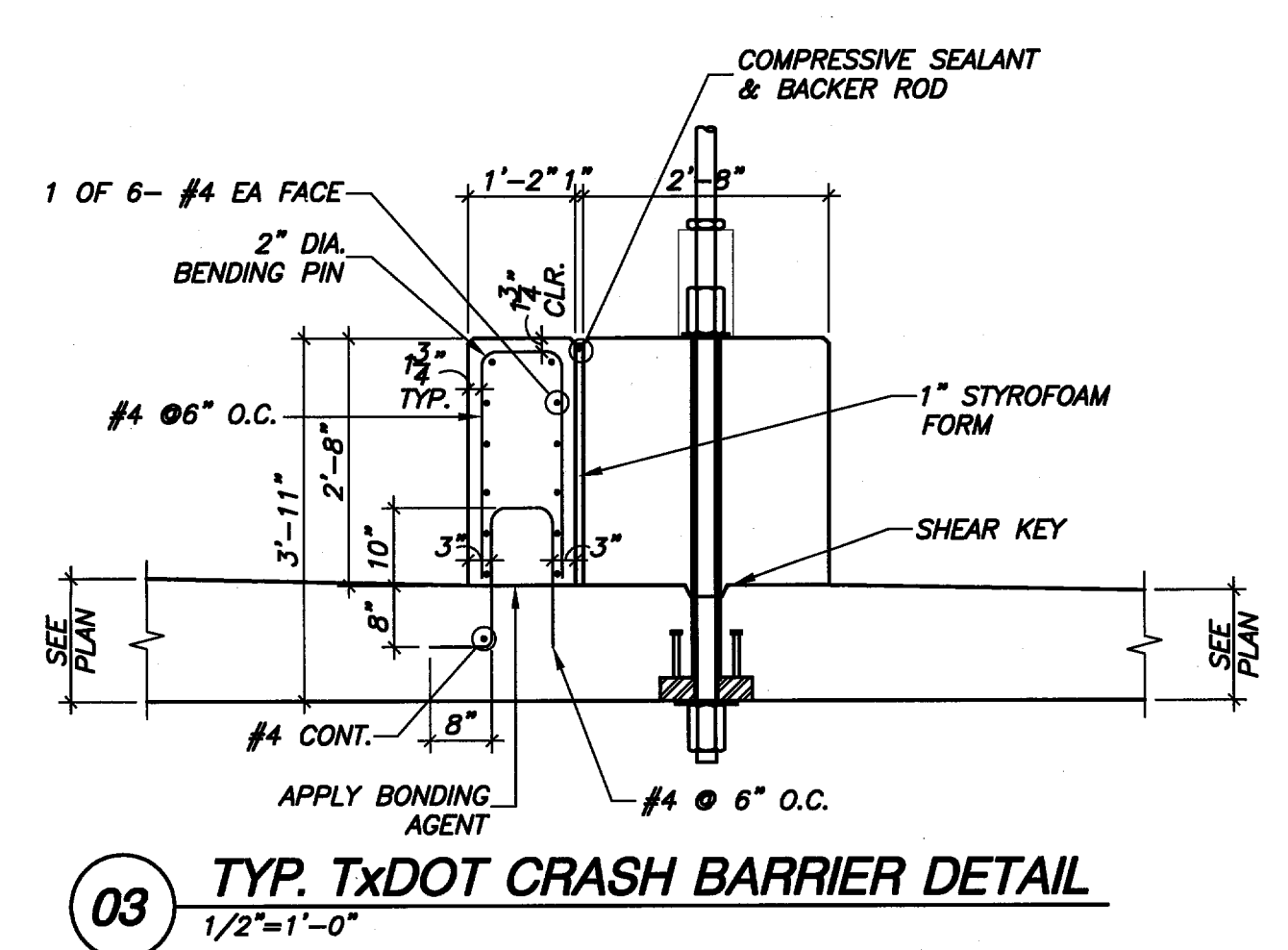
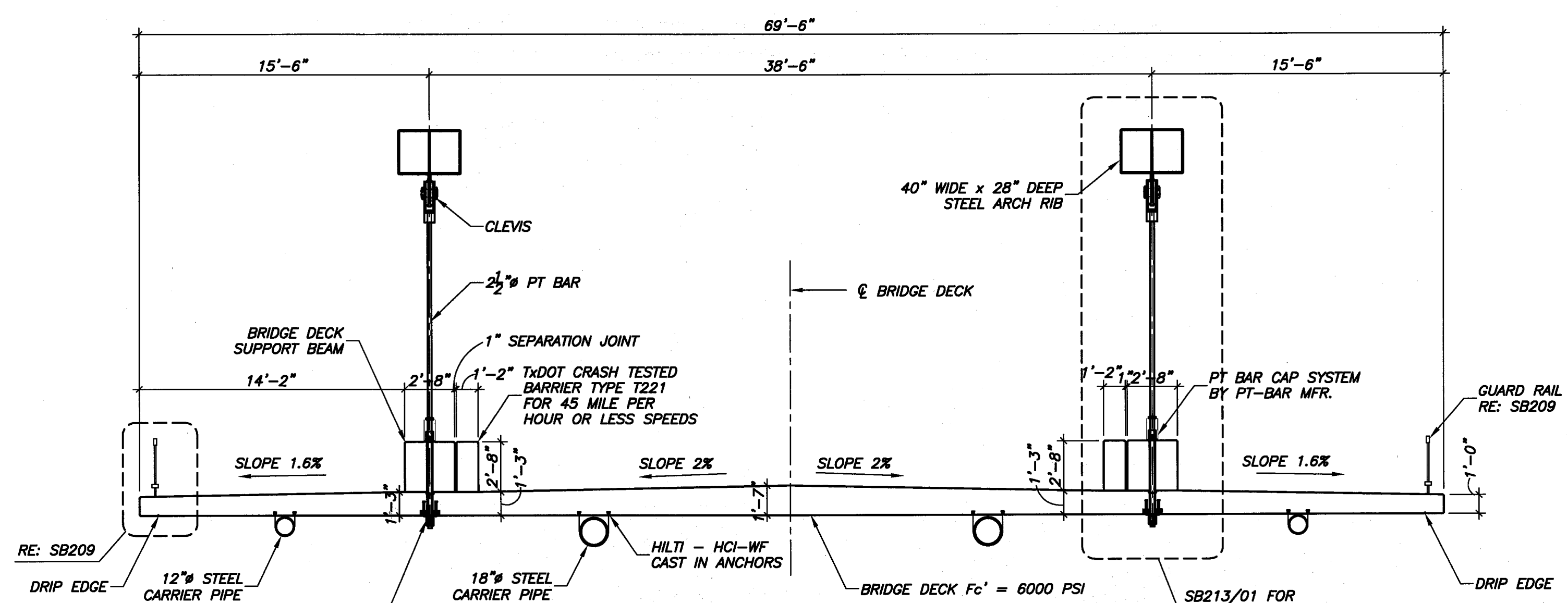


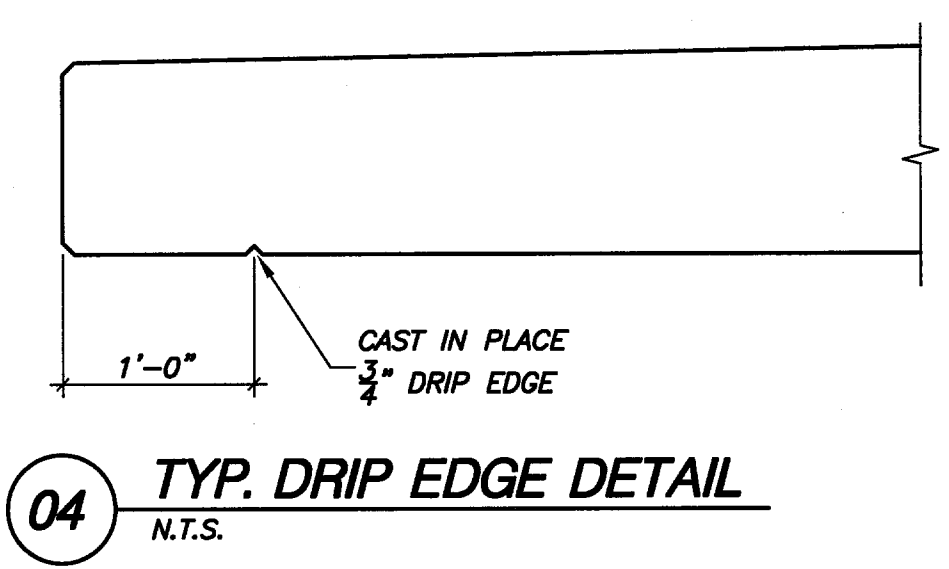
**01 SECTION**  
1/8" = 1'-0"



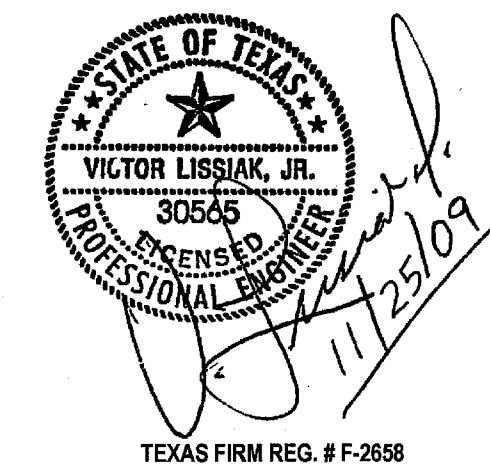
**03 TYP. TxDOT CRASH BARRIER DETAIL**  
1/2" = 1'-0"



**02 BRIDGE DECK SECTION**  
1/8" = 1'-0"



**04 TYP. DRIP EDGE DETAIL**  
N.T.S.



PRELIMINARY—FOR REVIEW ONLY		01/25/09
NO.	REVISION	BY DATE
<b>TOWN OF ADDISON</b> DALLAS COUNTY, TEXAS <b>VITRUVIAN PARK BRIDGES</b> PONTE AVE <b>SECTIONS</b>		
<b>VIEWTECH, INC.</b> Structural Engineers		4205 Beltway Dr. - Addison, Texas 75001 (972) 661-8187 Fax (972) 661-8172
PROJECT	DESIGN	DATE
2007.144	VL	NOV. 25 2009
DRAWN	FILE	SHEET
NERF	-	<b>SB202</b>

TEXAS FIRM REG. # F-2658