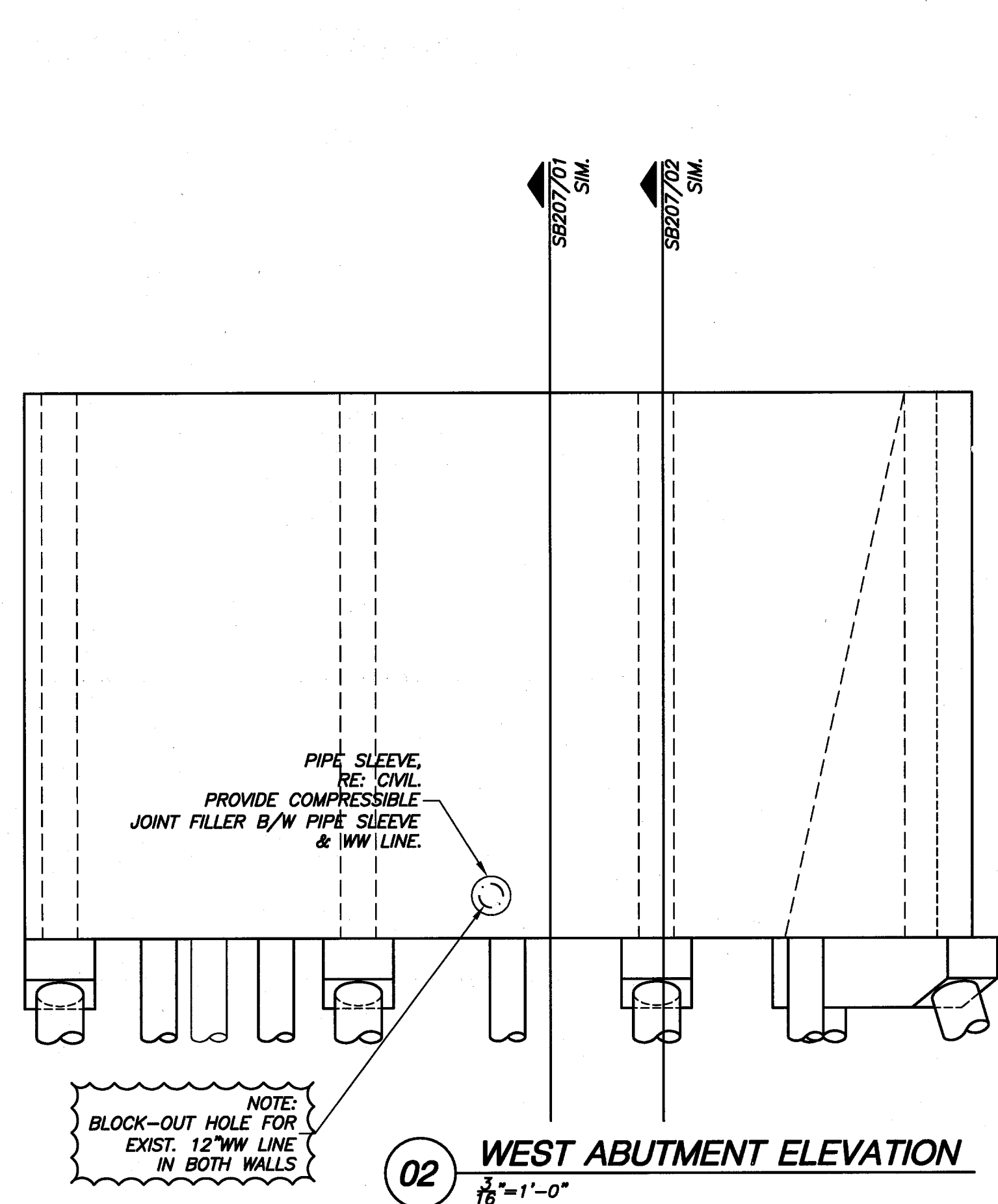
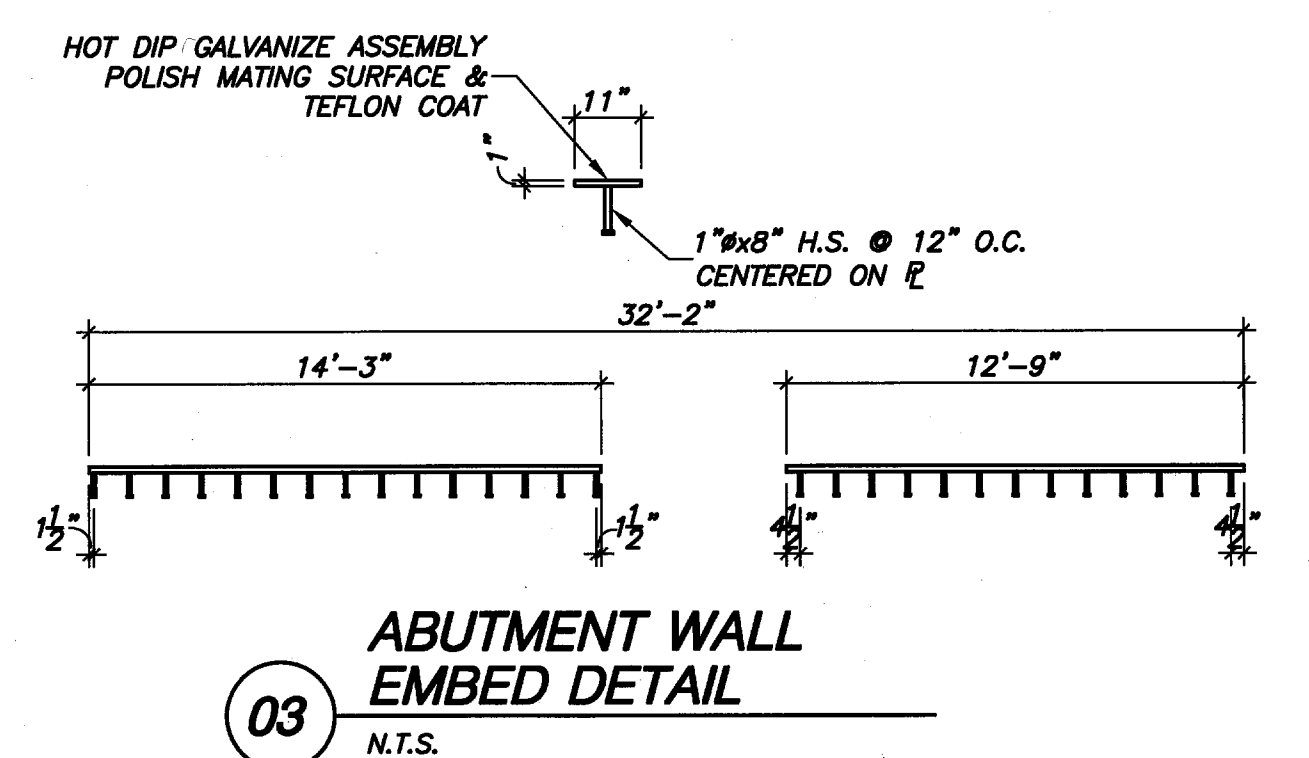


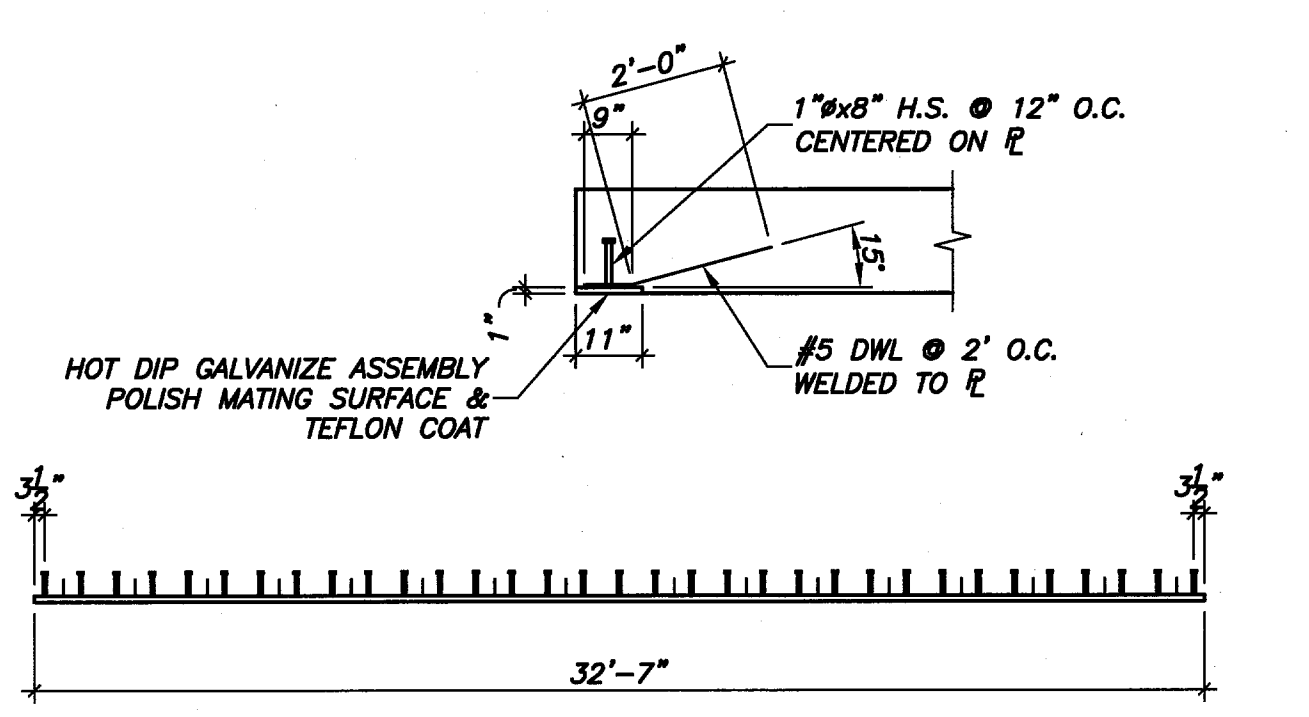
**01 WEST ABUTMENT ELEVATION**  
1/8" = 1'-0"



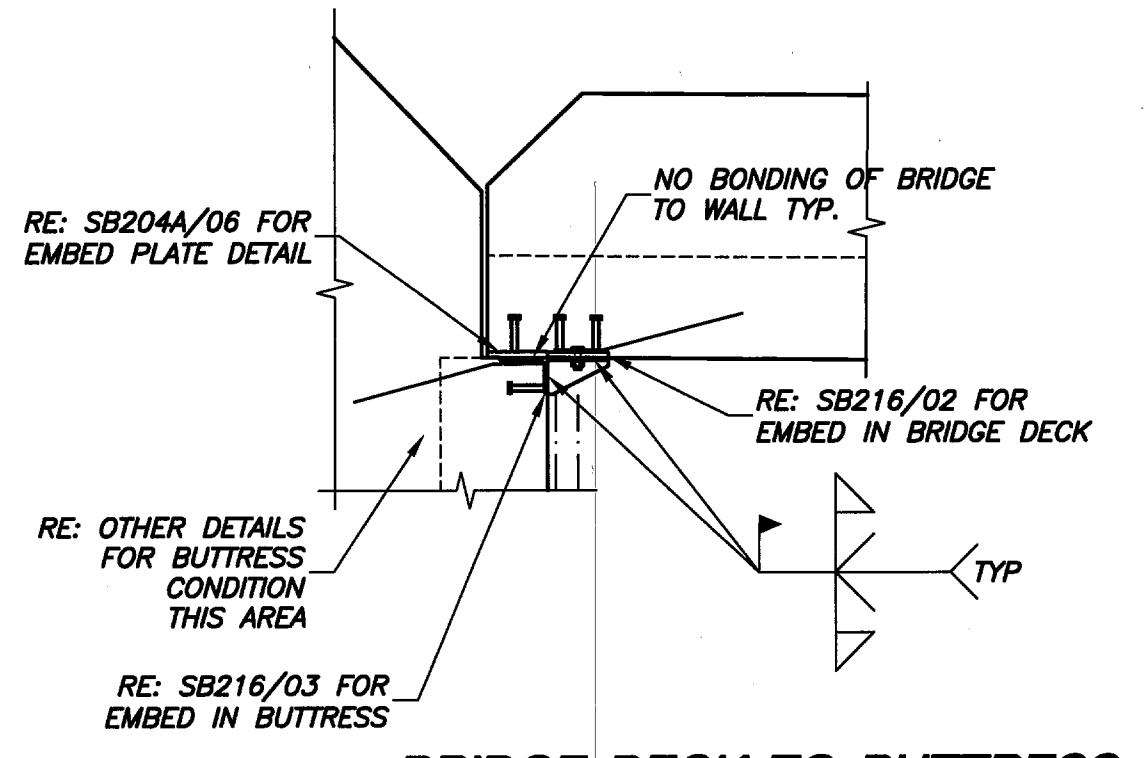
**02 WEST ABUTMENT ELEVATION**  
1/8" = 1'-0"



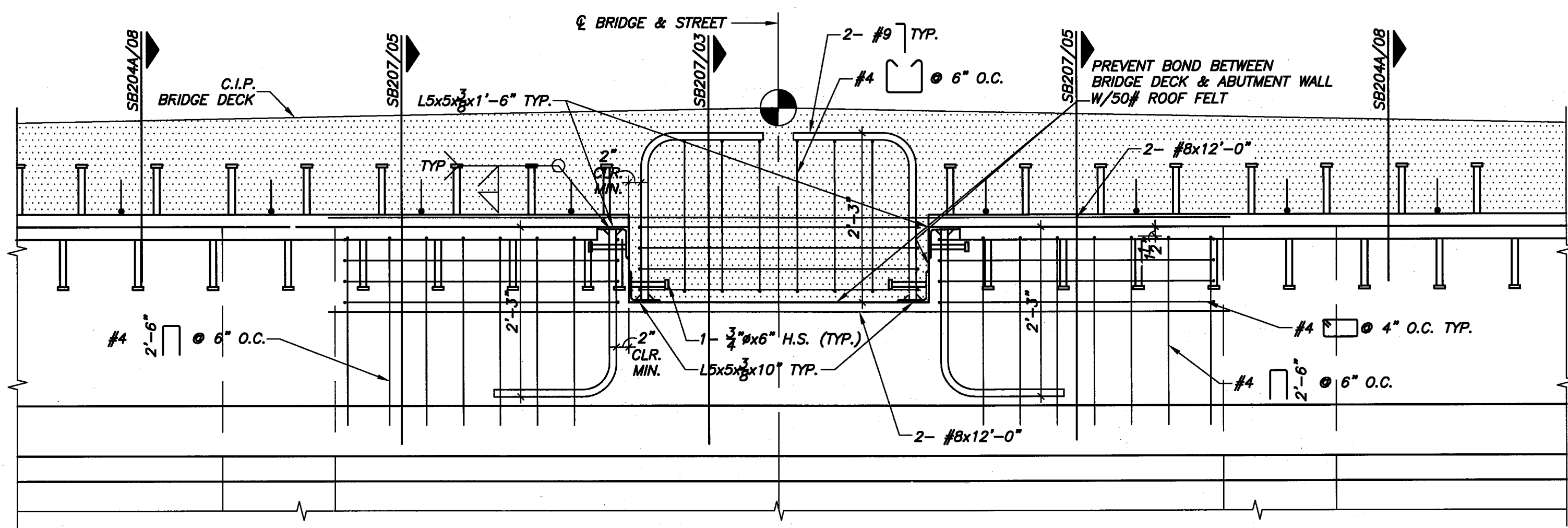
**03 ABUTMENT WALL EMBED DETAIL**  
N.T.S.



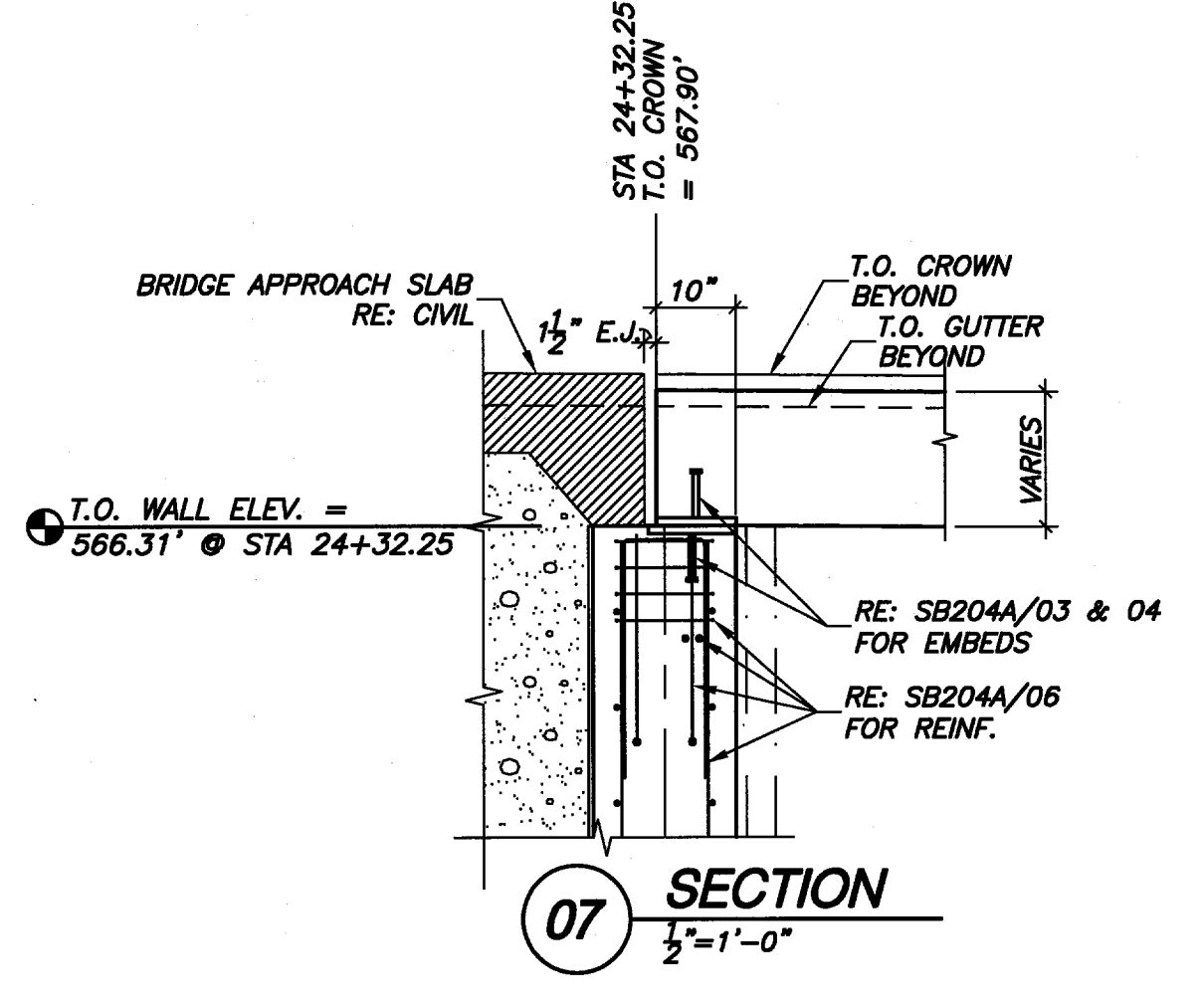
**04 BRIDGE DECK EMBED DETAIL**  
N.T.S.



**05 BRIDGE DECK TO BUTTRESS SLIP CONNECTION DETAIL**  
N.T.S.

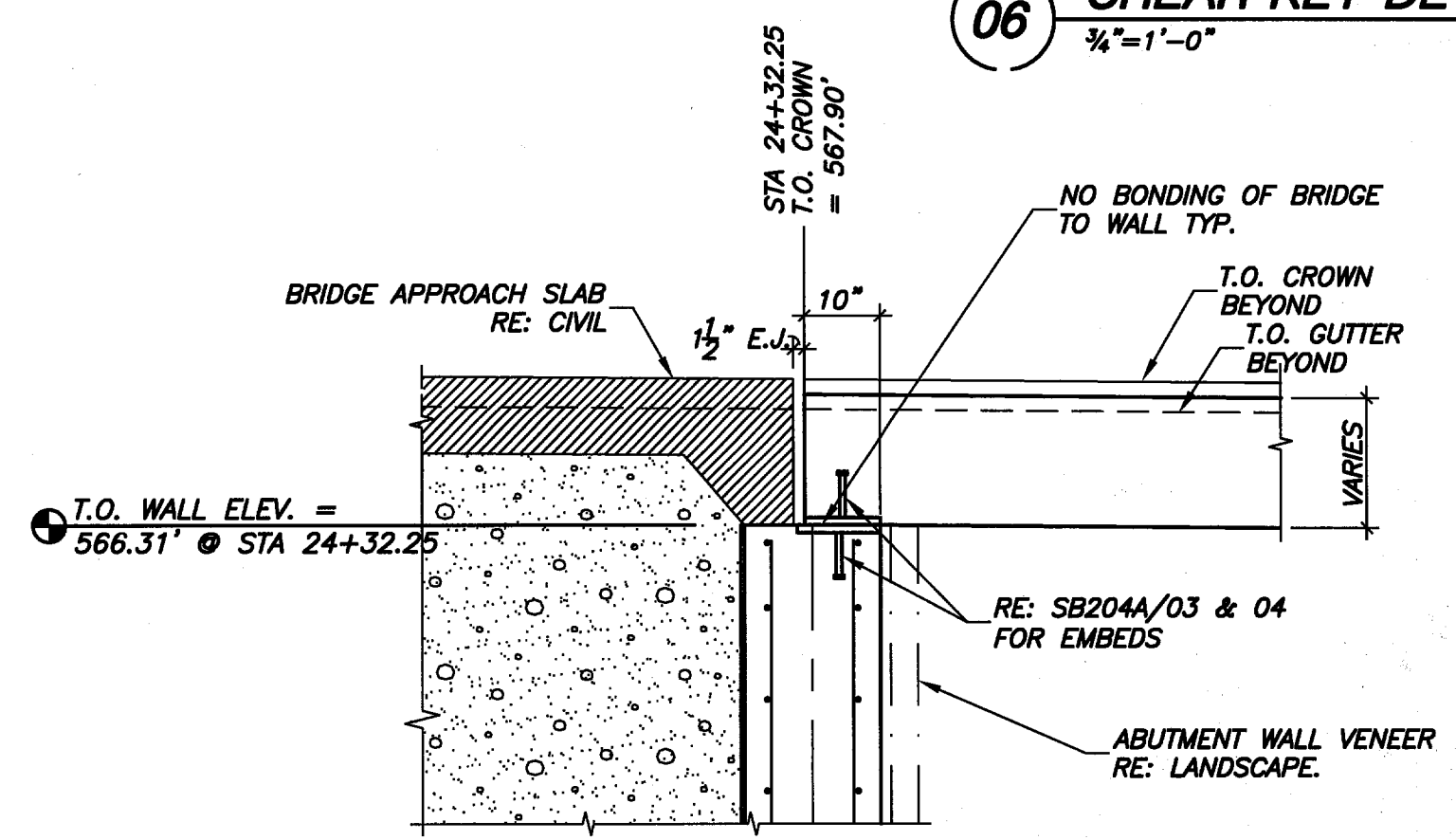


**06 SHEAR KEY DETAIL AT SLIP CONNECTION**  
3/4" = 1'-0"

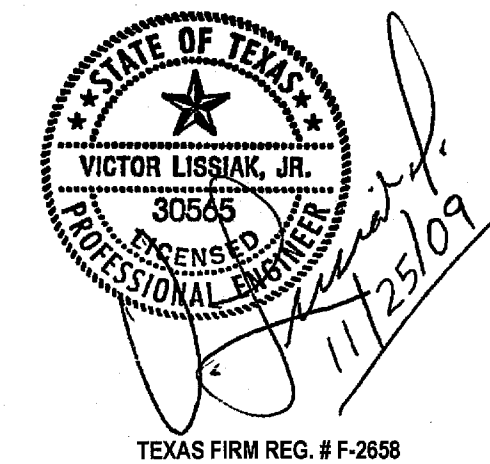


**07 SECTION**  
1/2" = 1'-0"

**INSTALLATION PROCEDURE FOR DETAILS SB204A/05:**  
INSTALL PLATE AFTER BRIDGE DECK SLAB PT CABLES HAVE BEEN STRESSED.  
THIS CONNECTION MUST BE INSTALLED PRIOR TO STRESSING BRIDGE HANGER RODS.



**08 SECTION**  
1/2" = 1'-0"



PRELIMINARY—FOR REVIEW ONLY		01/25/09	
NO.	REVISION	BY	DATE
<b>TOWN OF ADDISON</b> DALLAS COUNTY, TEXAS			
<b>VITRUVIAN PARK BRIDGES</b> PONTE AVE			
<b>ABUTMENT ELEVATIONS</b>			
<b>VIEWTECH, INC.</b> Structural Engineers		4205 Beltway Dr. - Addison, Texas 75001 (972) 661-8187 Fax (972) 661-8172	
PROJECT	DESIGN	DRAWN	DATE
2007.144	VL	NERF	NOV. 25 2009
FILE			SHEET
-			<b>SB204</b> A