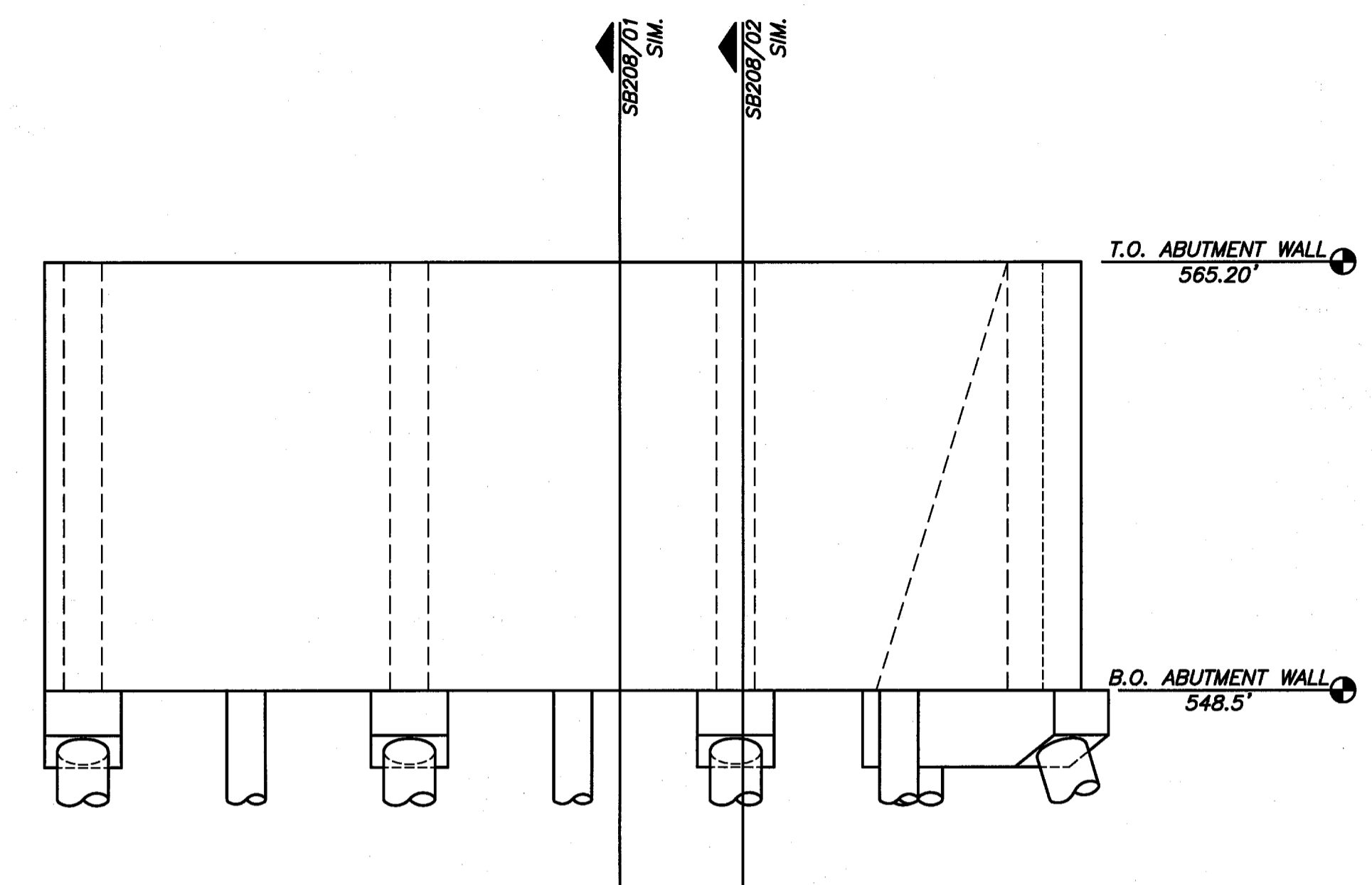
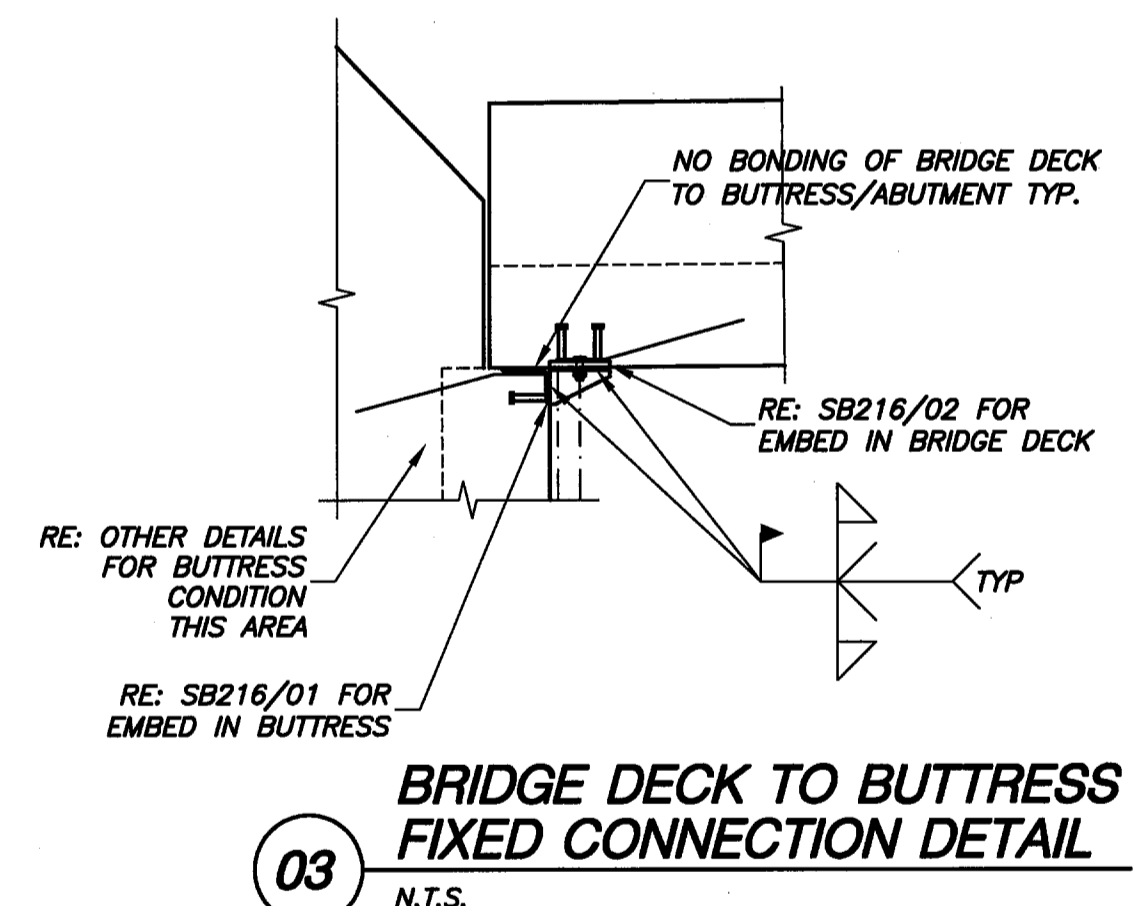


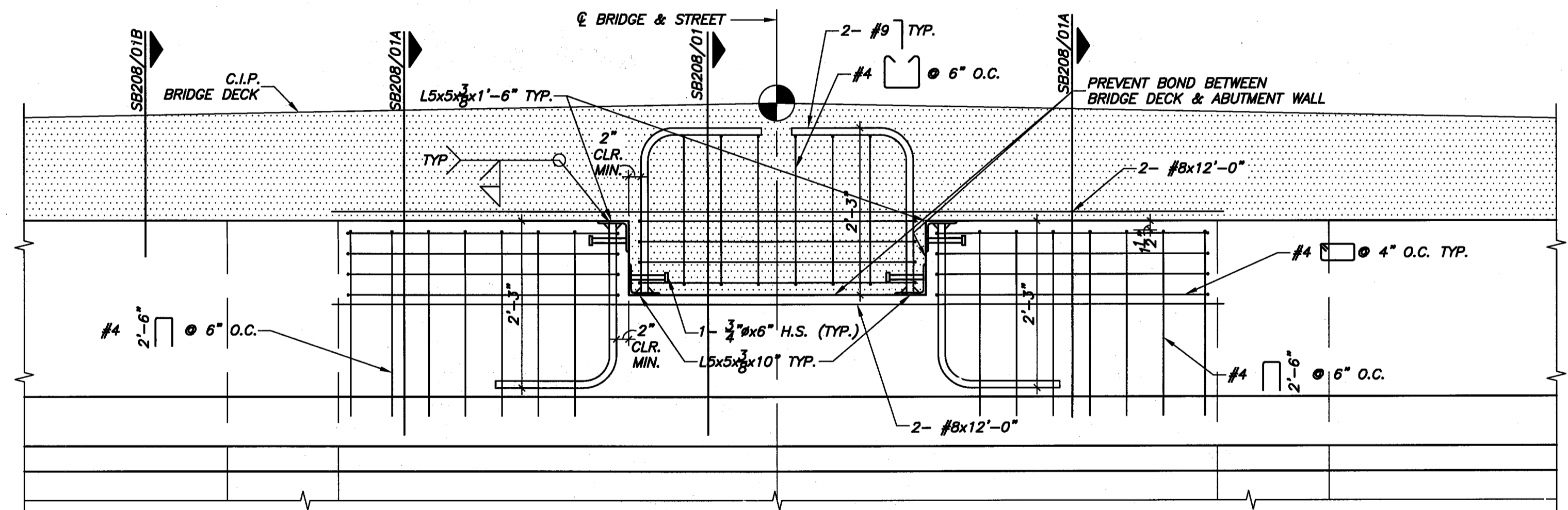
01 EAST ABUTMENT ELEVATION
 3/8" = 1'-0"



02 EAST ABUTMENT ELEVATION
 3/8" = 1'-0"

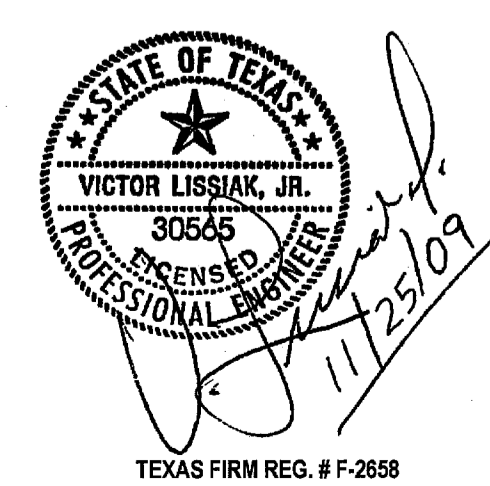


03 BRIDGE DECK TO BUTTRESS FIXED CONNECTION DETAIL
 N.T.S.



04 SHEAR KEY DETAIL AT FIXED CONNECTION
 3/8" = 1'-0"

INSTALLATION PROCEDURE FOR DETAILS SB204B/03:
 INSTALL PLATE AFTER BRIDGE DECK SLAB PT CABLES HAVE BEEN STRESSED.
 THIS CONNECTION MUST BE INSTALLED PRIOR TO STRESSING BRIDGE HANGER RODS.



PRELIMINARY—FOR REVIEW ONLY		01/25/09	
NO.	REVISION	BY	DATE
TOWN OF ADDISON DALLAS COUNTY, TEXAS			
VITRUVIAN PARK BRIDGES PONTE AVE			
ABUTMENT ELEVATIONS			
VIEWTECH, INC. Structural Engineers		4205 Beltway Dr. - Addison, Texas 75001 (972) 661-8187 Fax (972) 661-8172	
PROJECT	DESIGN	DRAWN	DATE
2007.144	VL	NERF	NOV. 25 2009
			SHEET
			SB204 B