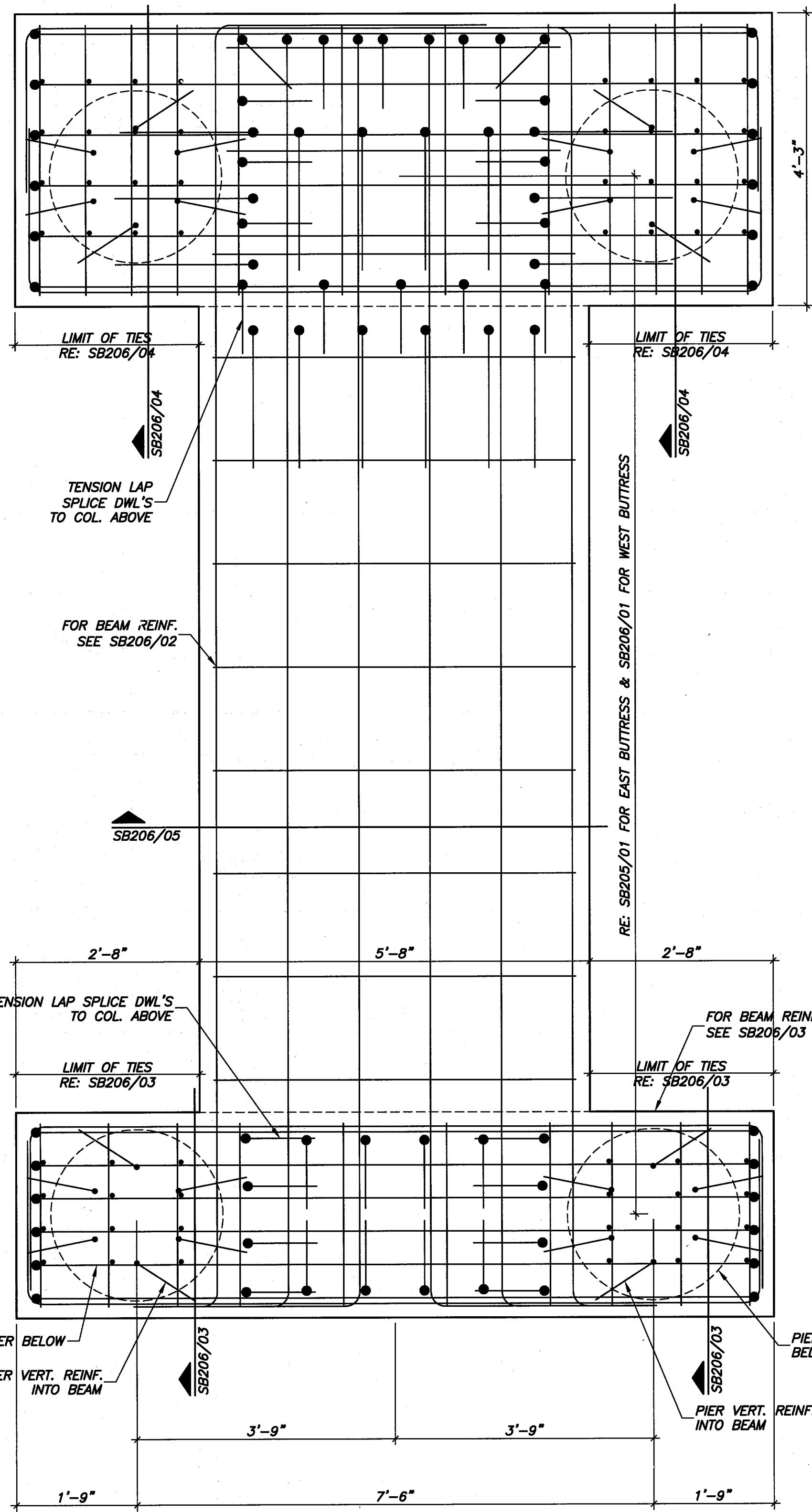
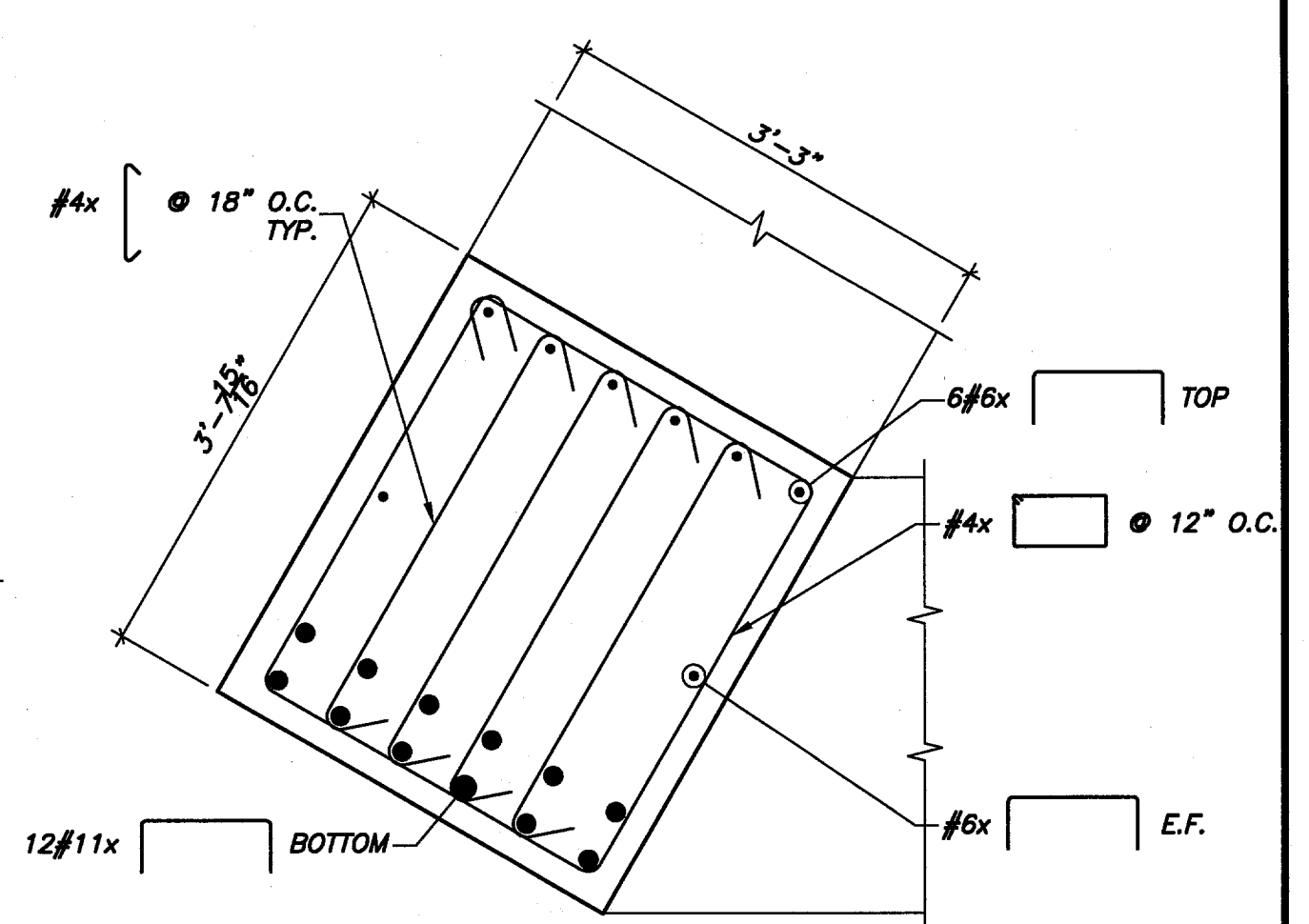


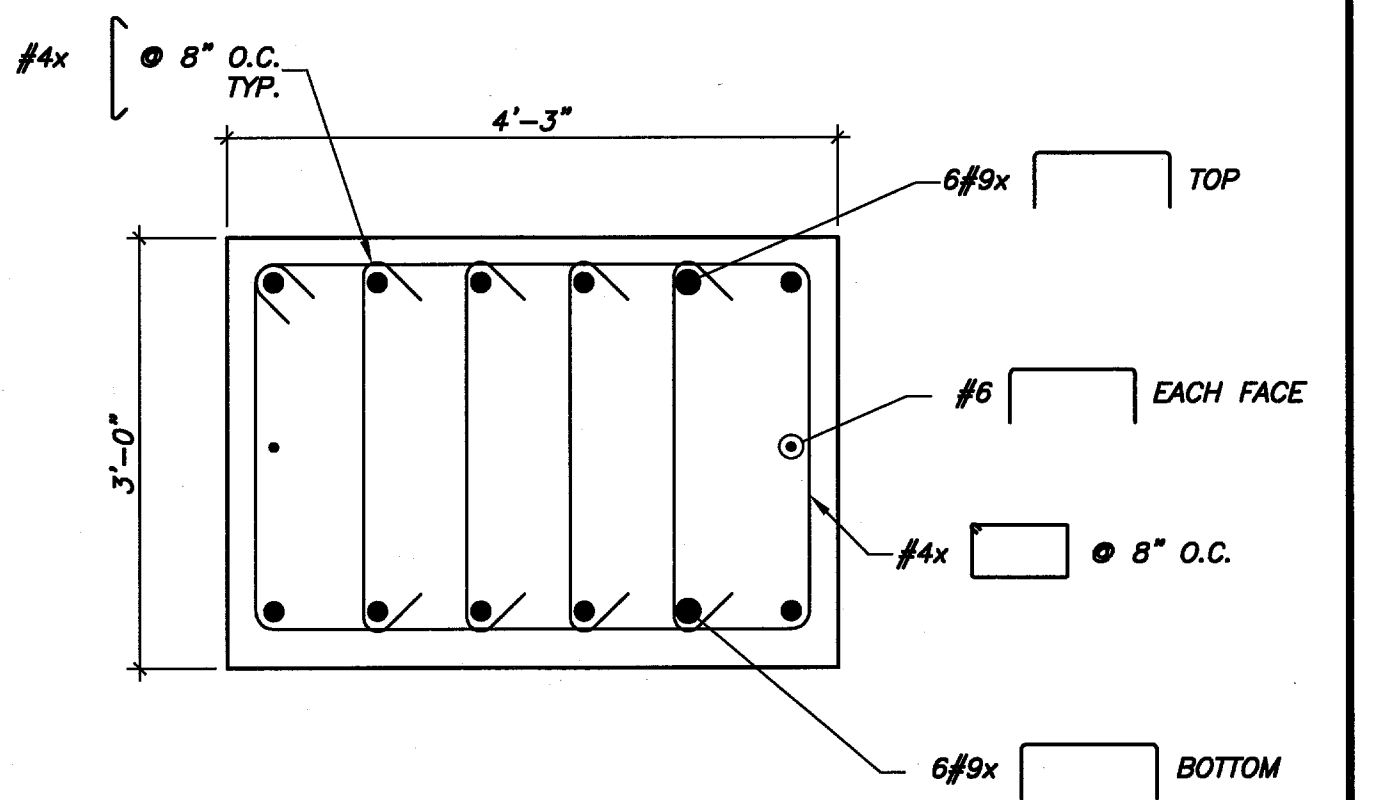
**01 EAST BUTTRESS SECTION**  
3/4"=1'-0"



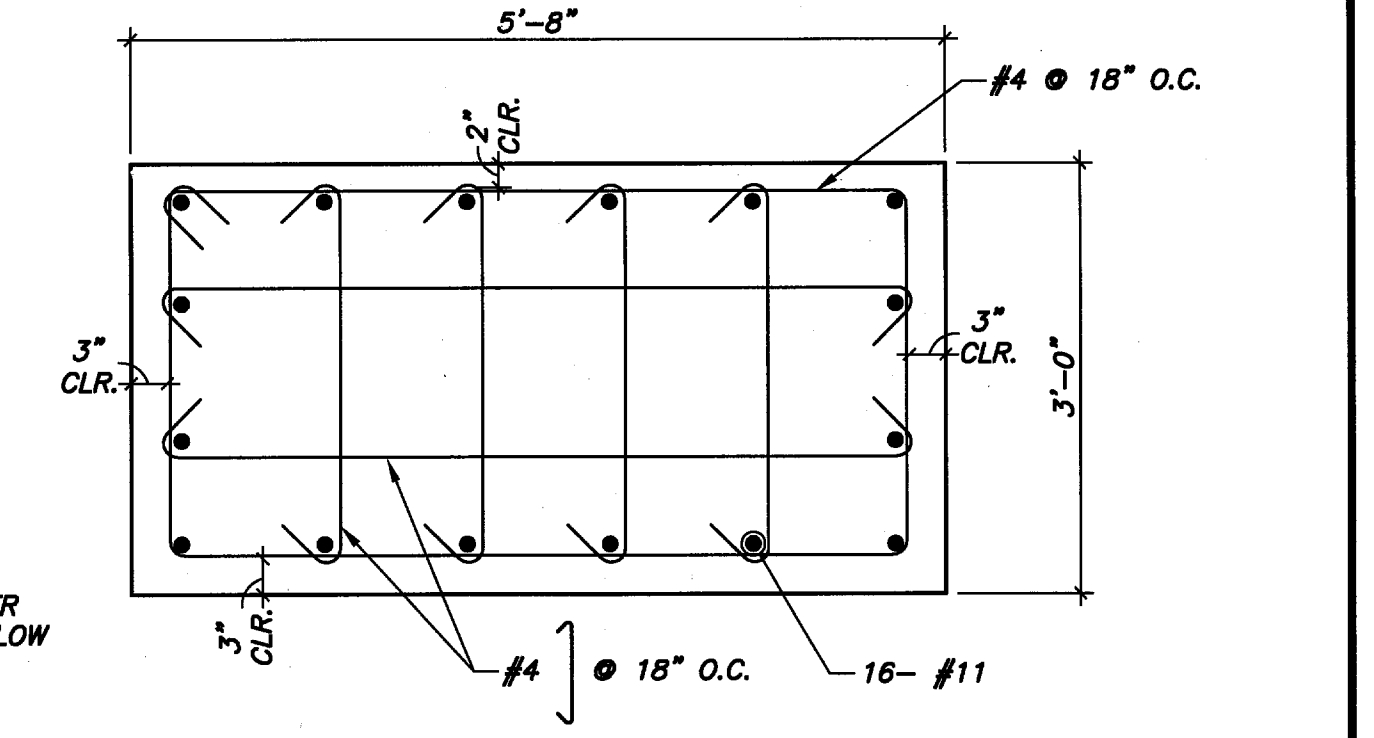
**02 SECTION**  
3/4"=1'-0"



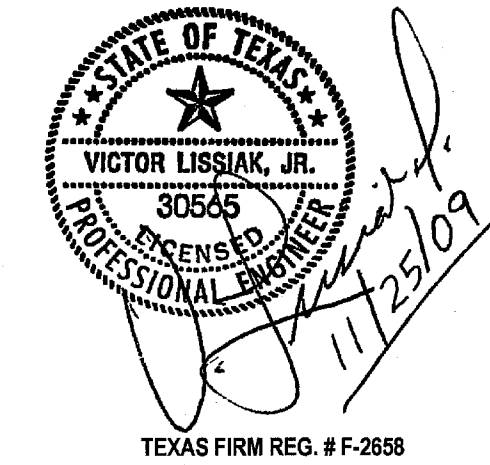
**03 DETAIL**  
3/4"=1'-0"



**04 SECTION**  
3/4"=1'-0"



**05 SECTION**  
3/4"=1'-0"



|                                                        |          |                                                                              |              |          |
|--------------------------------------------------------|----------|------------------------------------------------------------------------------|--------------|----------|
| PRELIMINARY—FOR REVIEW ONLY                            |          |                                                                              |              | 01/25/09 |
| NO.                                                    | REVISION | BY                                                                           | DATE         |          |
| <b>ADDISON</b> TOWN OF ADDISON<br>DALLAS COUNTY, TEXAS |          |                                                                              |              |          |
| VITRUVIAN PARK BRIDGES<br>PONTE AVE                    |          |                                                                              |              |          |
| <b>BUTTRESS SECTIONS &amp; DETAILS</b>                 |          |                                                                              |              |          |
| <b>VIEWTECH, INC.</b><br>Structural Engineers          |          | 4205 Beltway Dr. - Addison, Texas 75001<br>(972) 661-8187 Fax (972) 661-8172 |              |          |
| PROJECT                                                | DESIGN   | DRAWN                                                                        | DATE         | SHEET    |
| 2007.144                                               | VL       | NERF                                                                         | NOV. 25 2009 | SB206    |