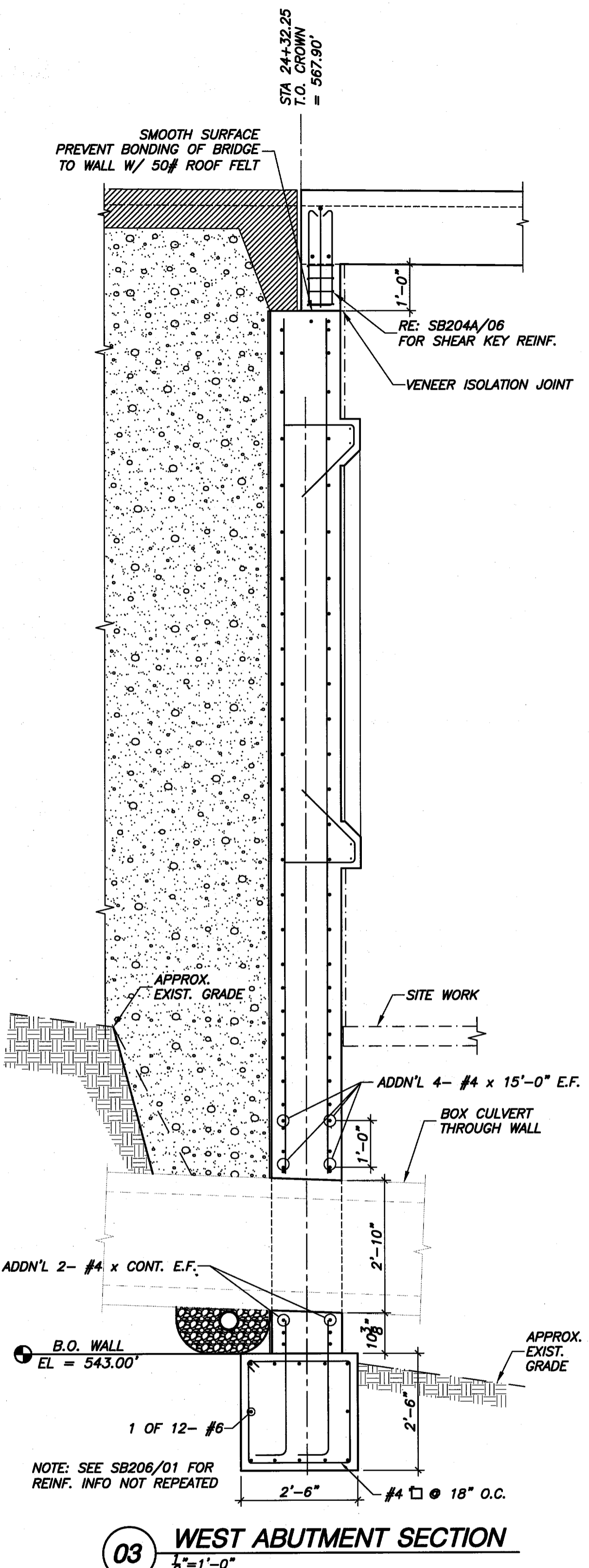
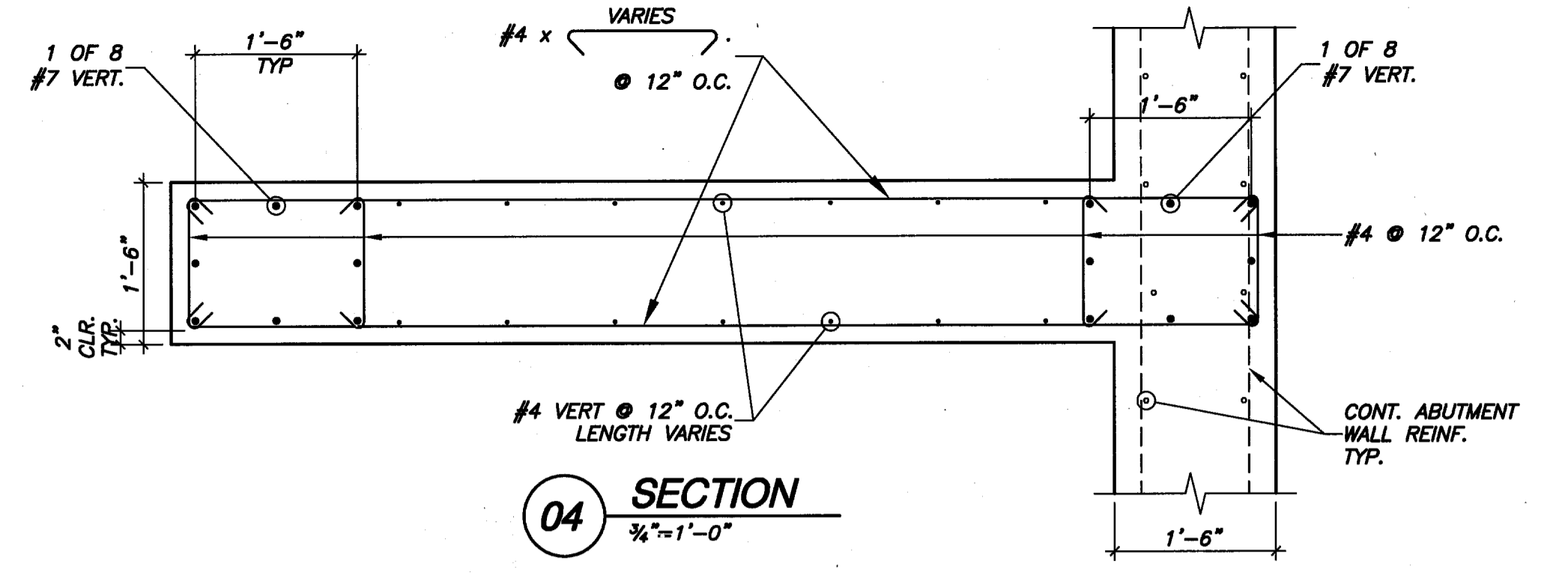


01 WEST ABUTMENT SECTION
1/2" = 1'-0"

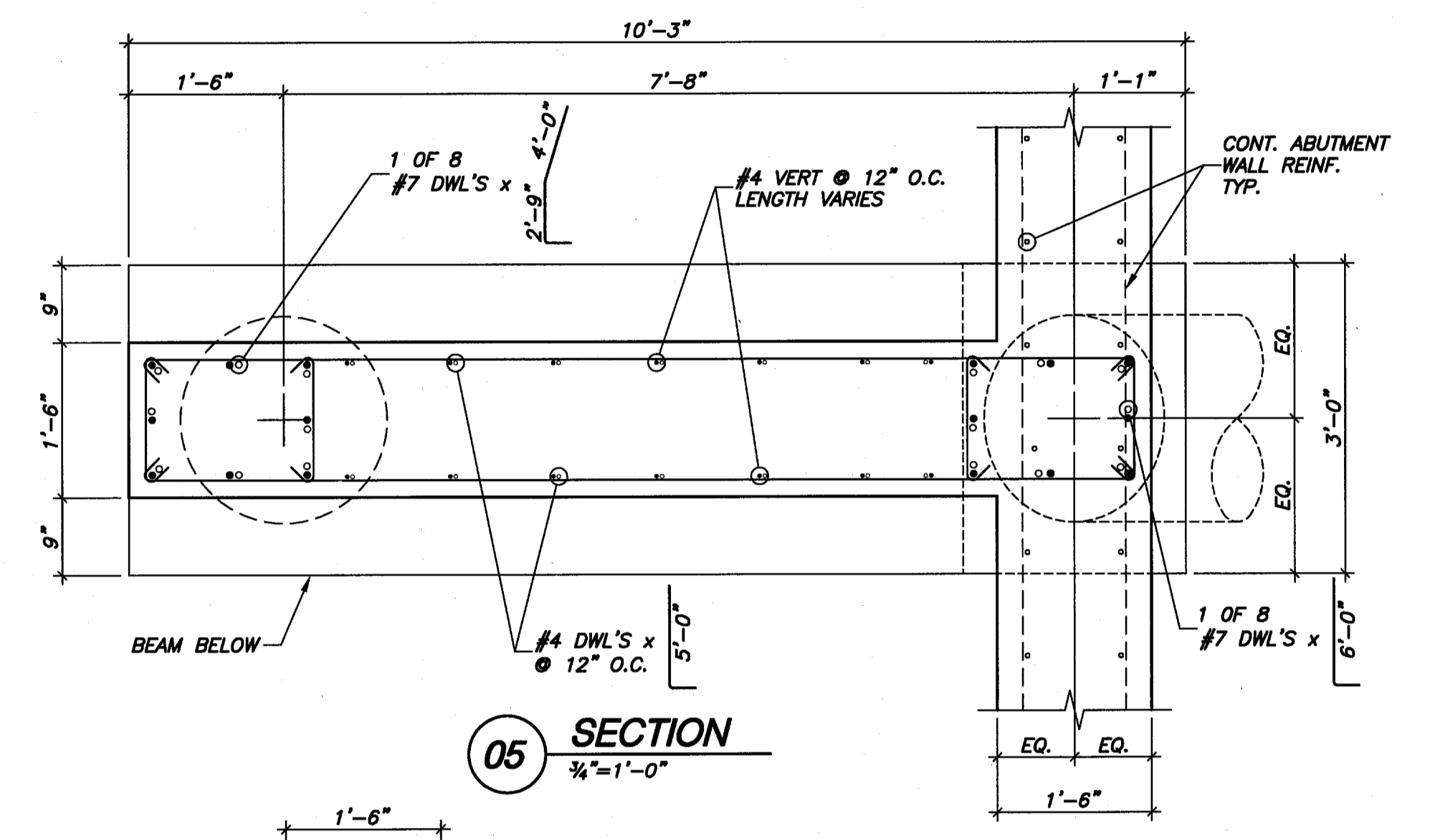
02 WEST ABUTMENT SECTION
1/2" = 1'-0"



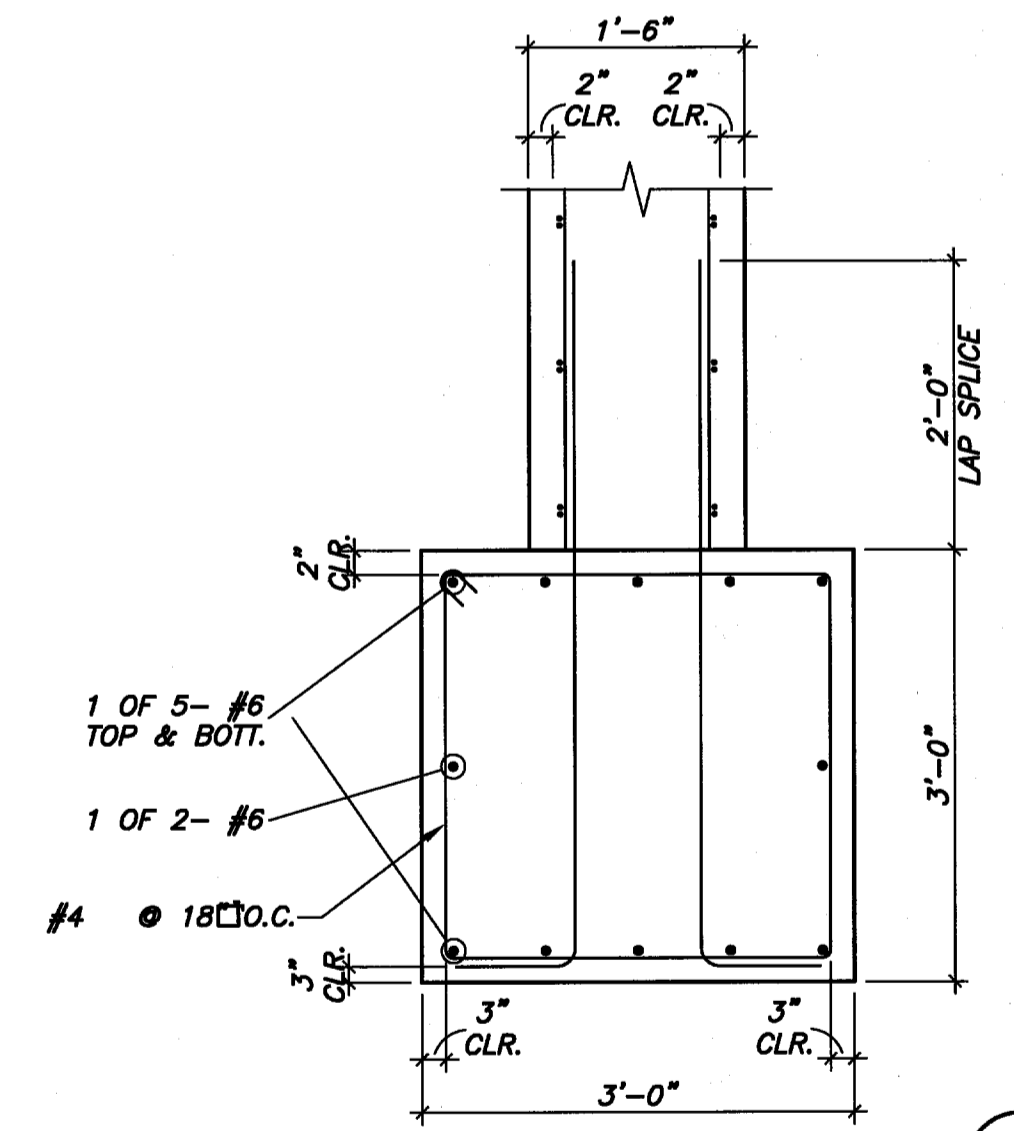
03 WEST ABUTMENT SECTION
1/2" = 1'-0"



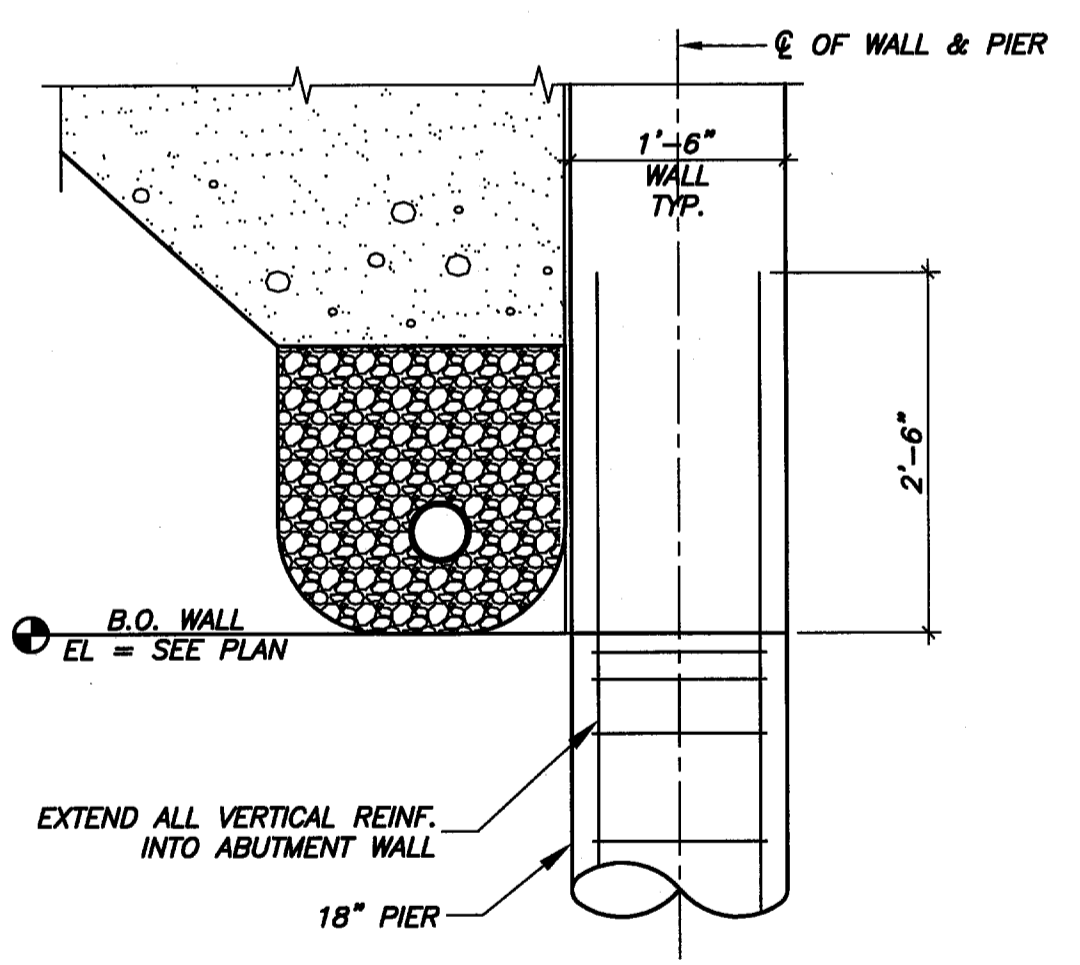
04 SECTION
3/4" = 1'-0"



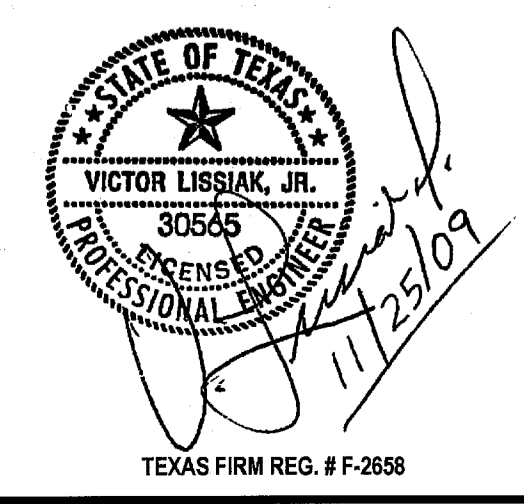
05 SECTION
3/4" = 1'-0"



06 SECTION
3/4" = 1'-0"



07 TYPICAL 18" PIER TO ABUTMENT WALL
3/4" = 1'-0"



PRELIMINARY—FOR REVIEW ONLY						01/25/09
NO.	REVISION	BY	DATE			
TOWN OF ADDISON DALLAS COUNTY, TEXAS VITRUVIAN PARK BRIDGES PONTE AVE ABUTMENT SECTIONS & DETAILS						
VIEWTECH, INC. Structural Engineers				4205 Beltway Dr. - Addison, Texas 75001 (972) 661-8187 Fax (972) 661-8172		
PROJECT	DESIGN	DRAWN	DATE	FILE	SHEET	
2007.144	VL	NERF	NOV. 25 2009	-	SB207	