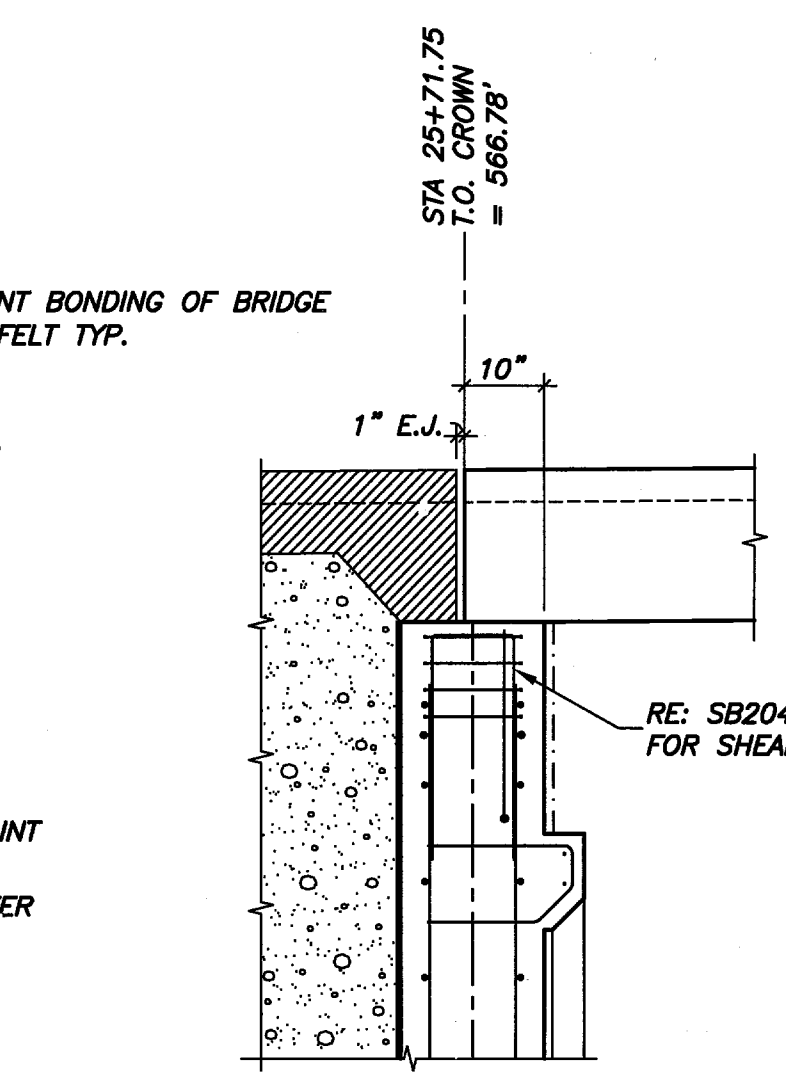
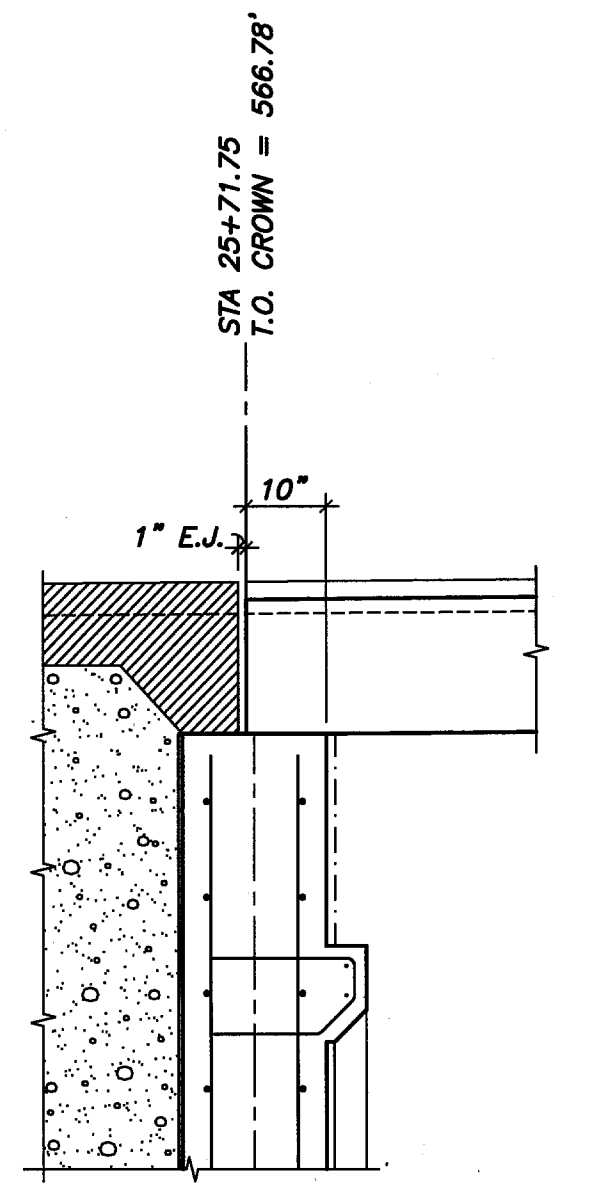


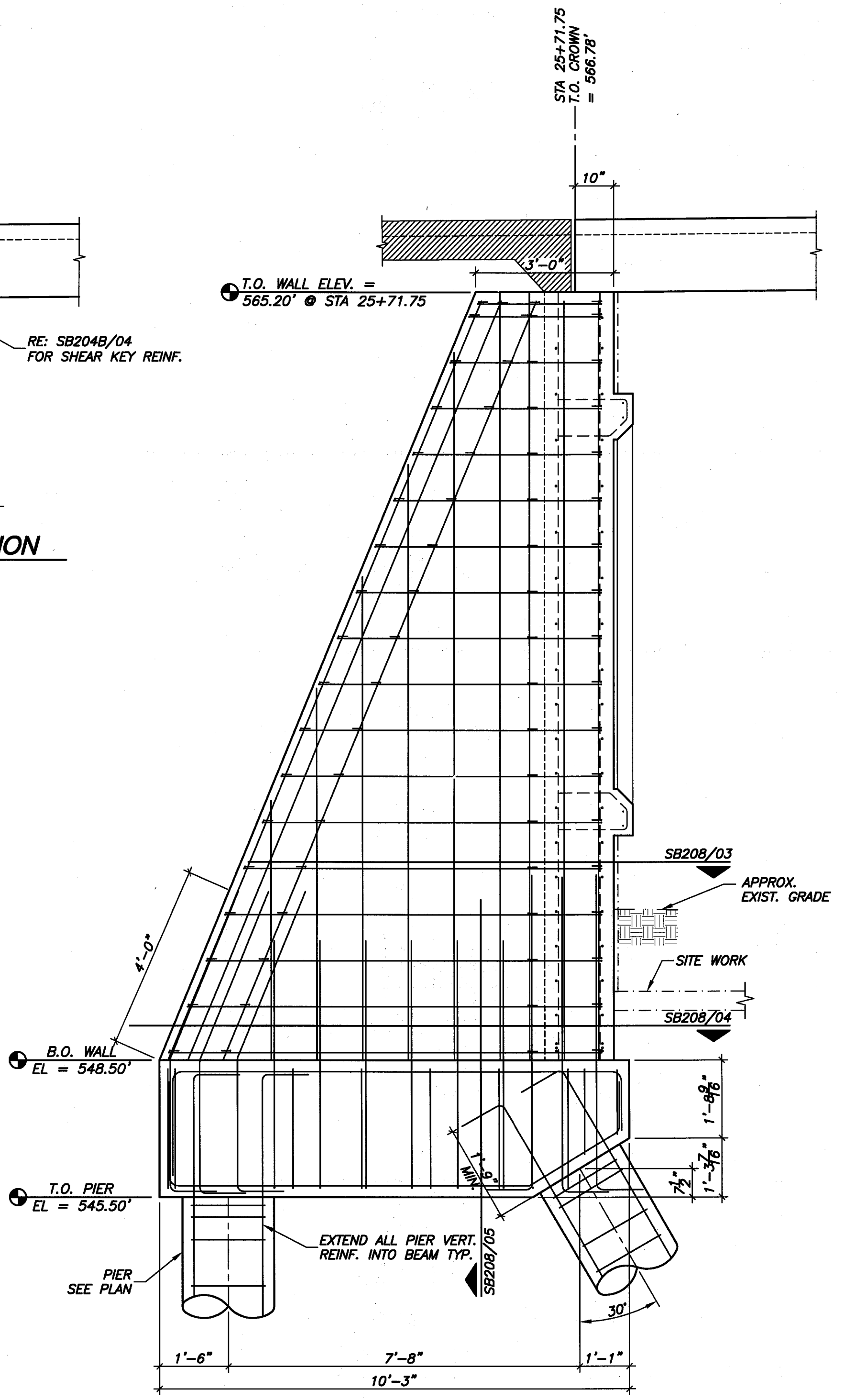
01 EAST ABUTMENT SECTION
1/2"=1'-0"



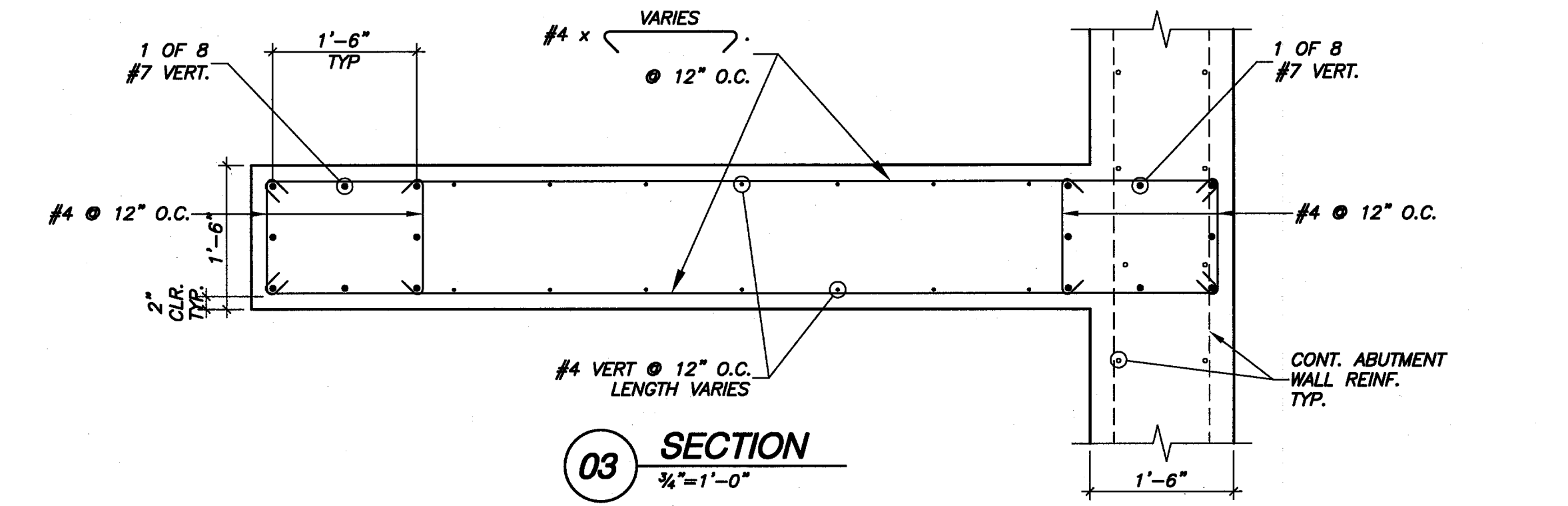
01A SECTION
1/2"=1'-0"



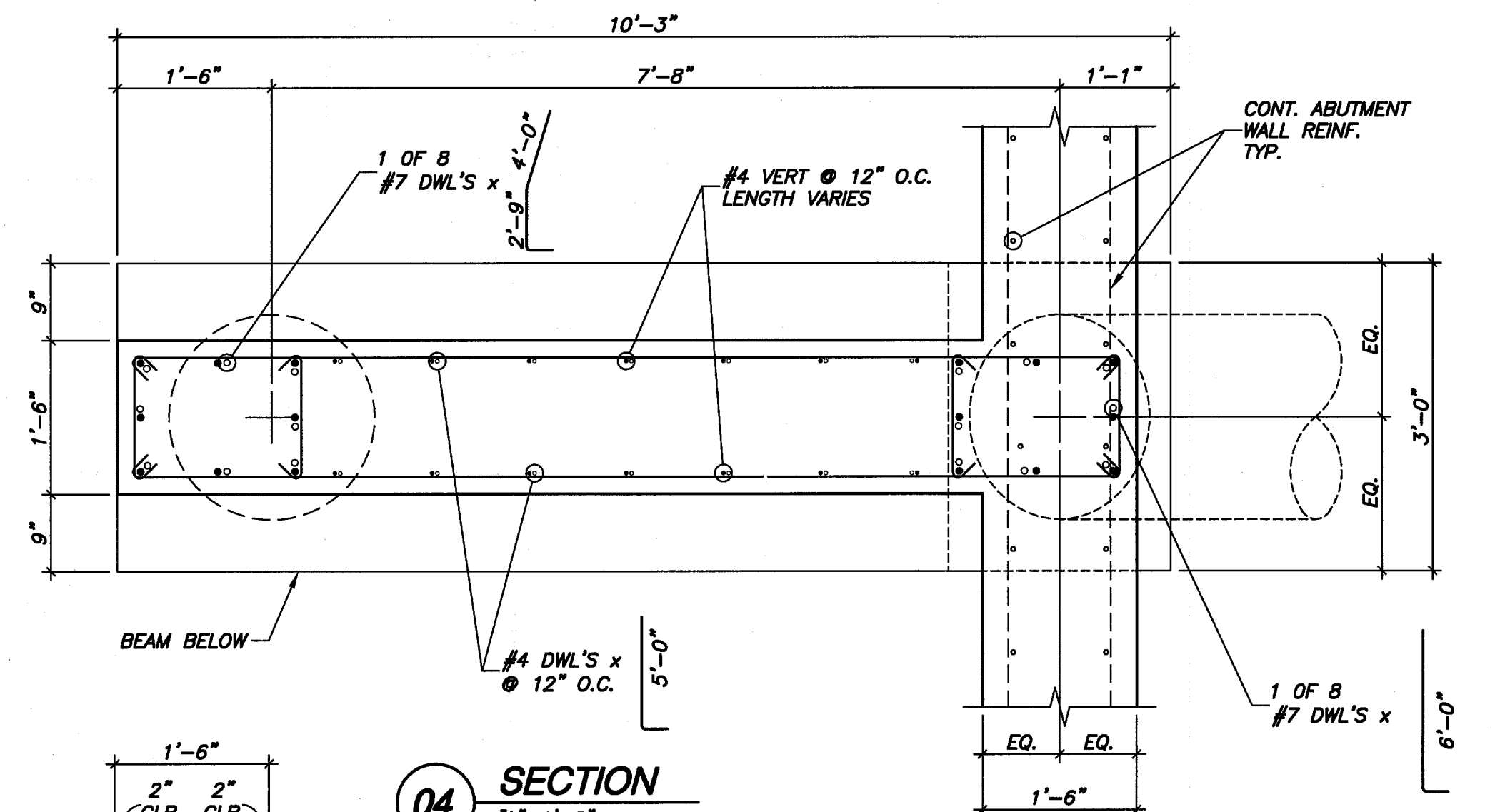
01B SECTION
1/2"=1'-0"



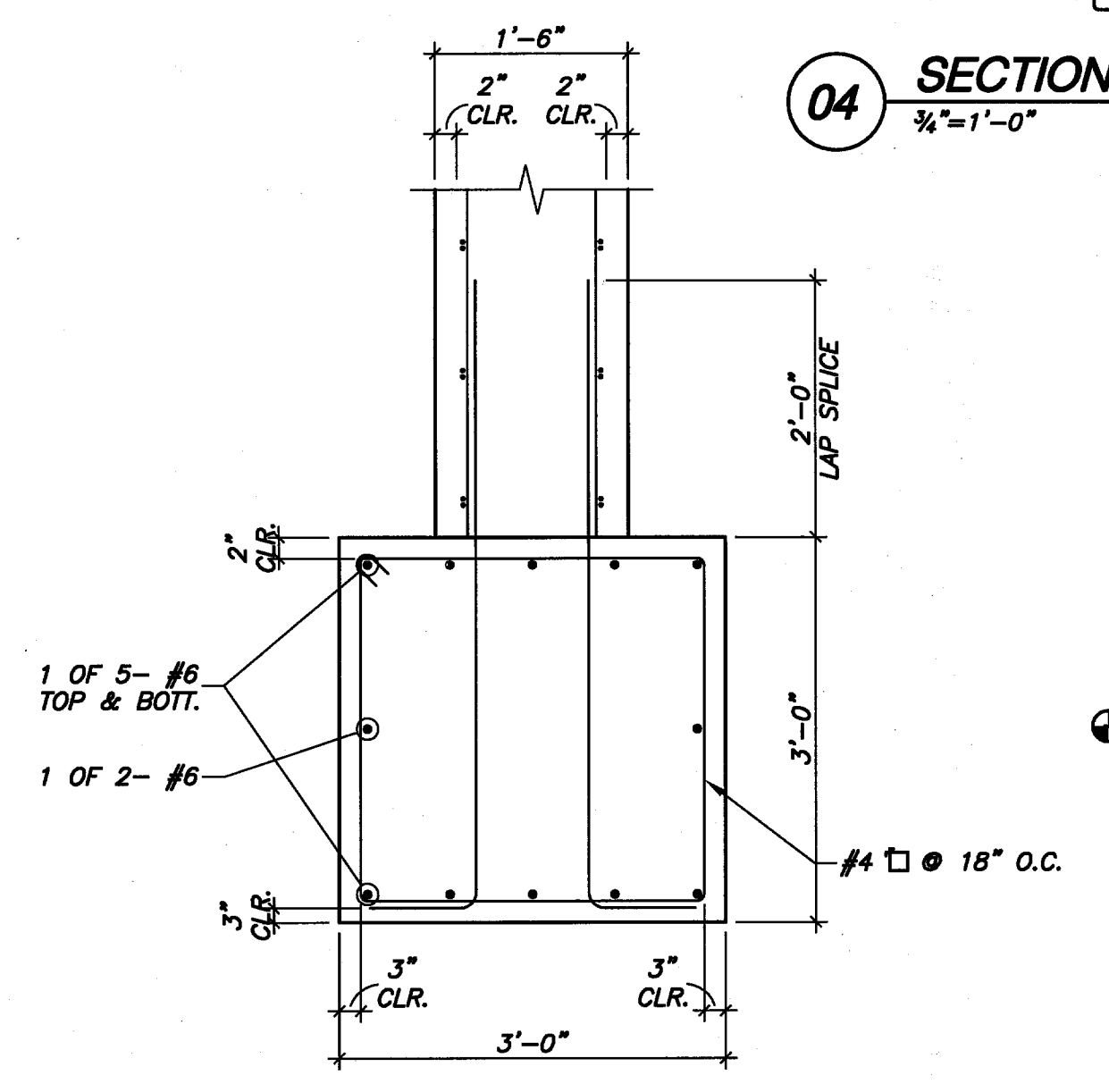
02 EAST ABUTMENT SECTION
1/2"=1'-0"



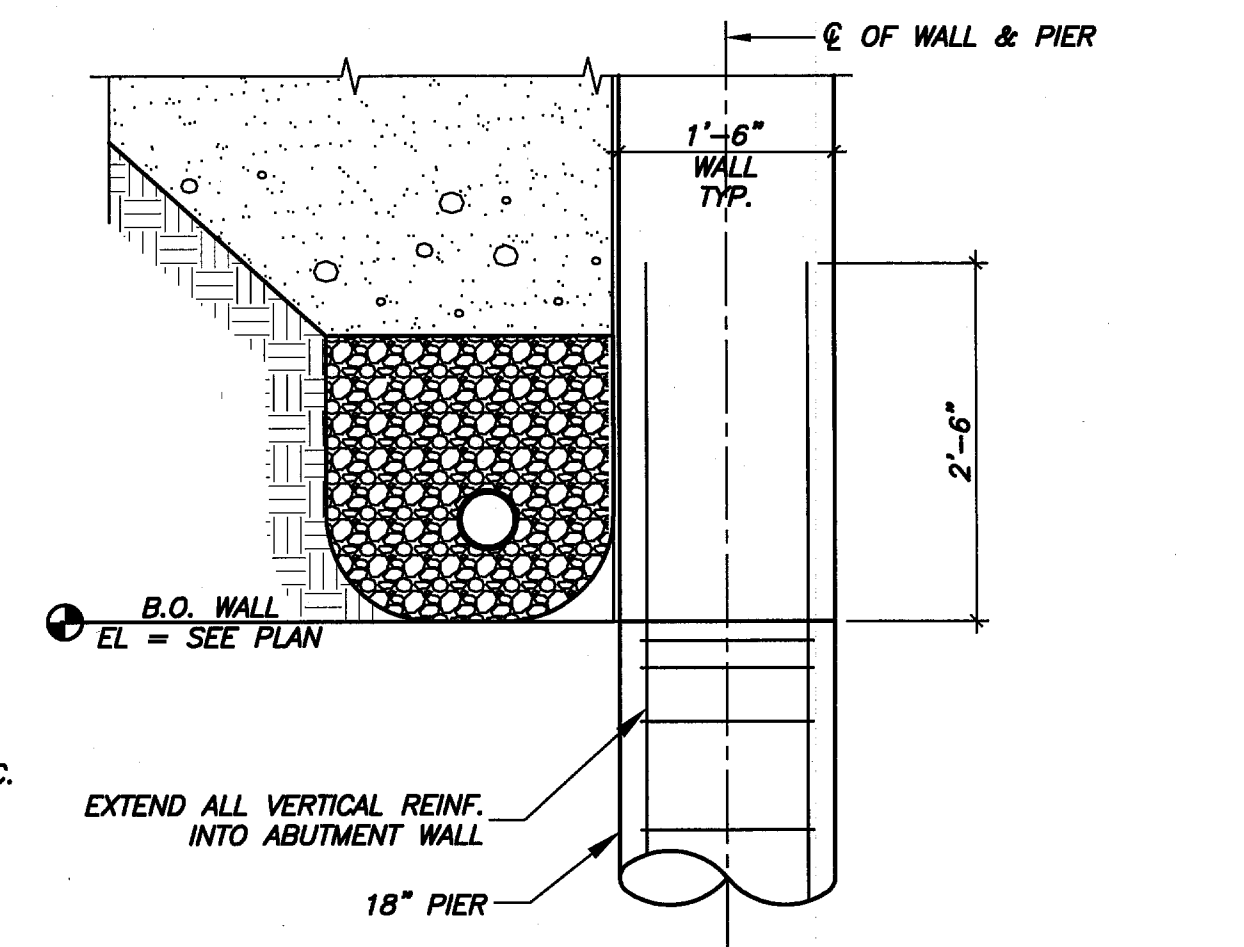
03 SECTION
3/4"=1'-0"



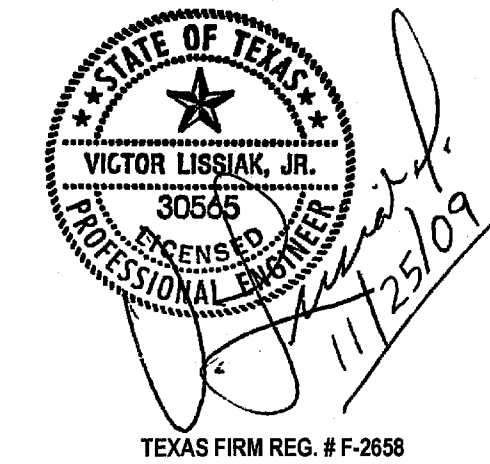
04 SECTION
3/4"=1'-0"



05 SECTION
3/4"=1'-0"



06 TYPICAL 18" PIER TO ABUTMENT WALL
3/4"=1'-0"



PRELIMINARY—FOR REVIEW ONLY				01/25/09
NO.	REVISION	BY	DATE	
ADDISON TOWN OF ADDISON DALLAS COUNTY, TEXAS VITRUVIAN PARK BRIDGES PONTE AVE ABUTMENT SECTIONS & DETAILS				
VIEWTECH, INC. Structural Engineers		4205 Beltway Dr. - Addison, Texas 75001 (972) 661-8187 Fax (972) 661-8172		
PROJECT	DESIGN	DRAWN	DATE	SHEET
2007.144	VL	NERF	NOV. 25 2009	SB208