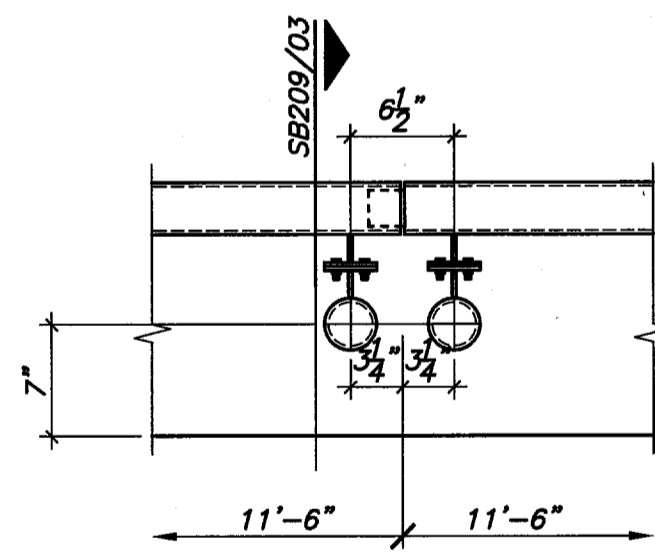
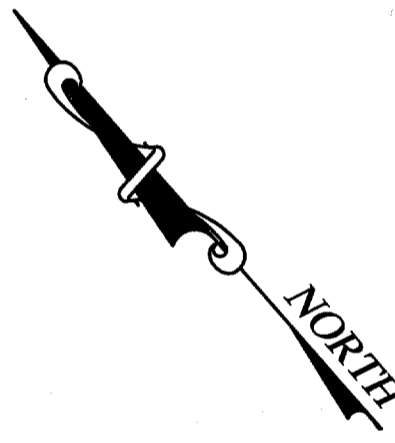
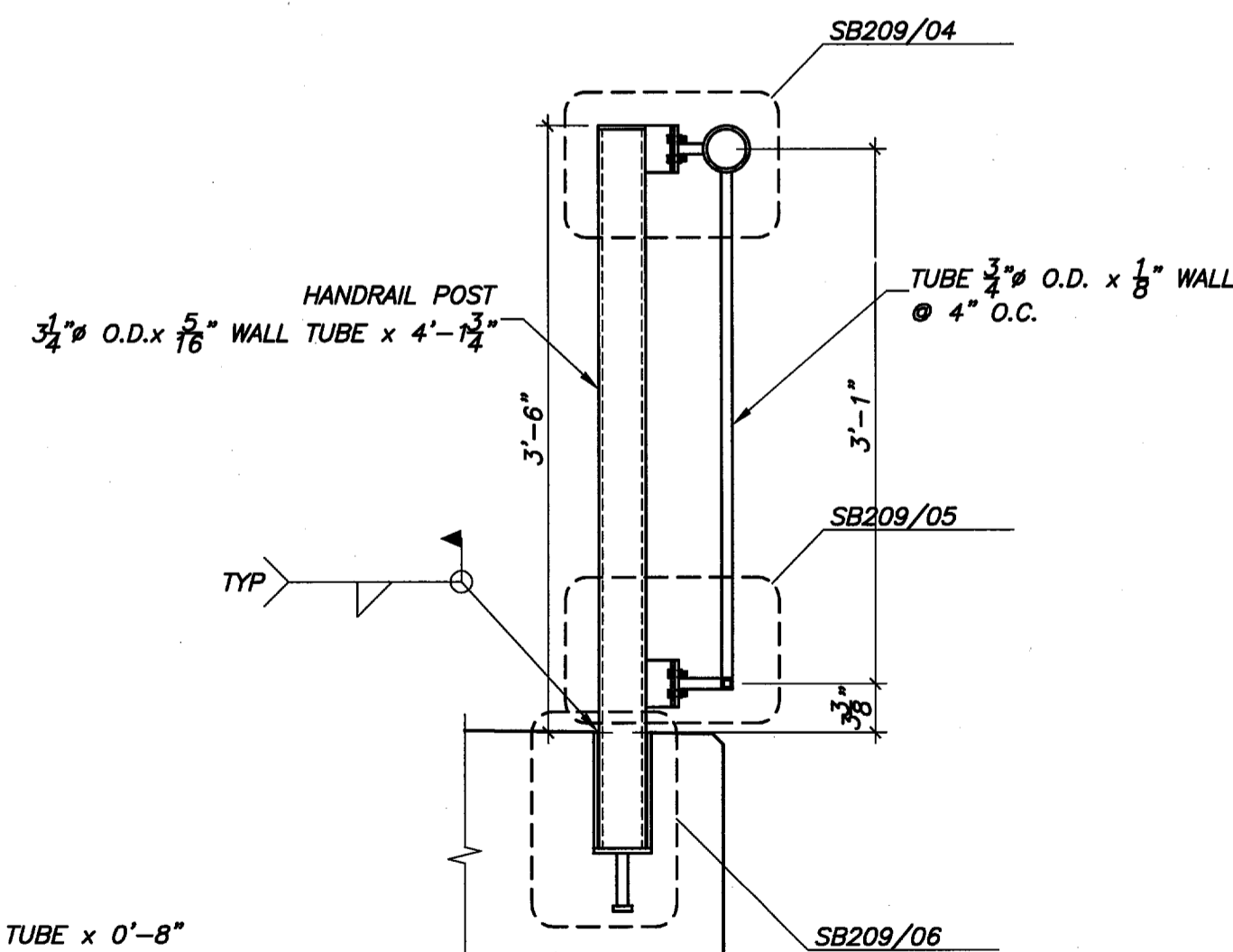


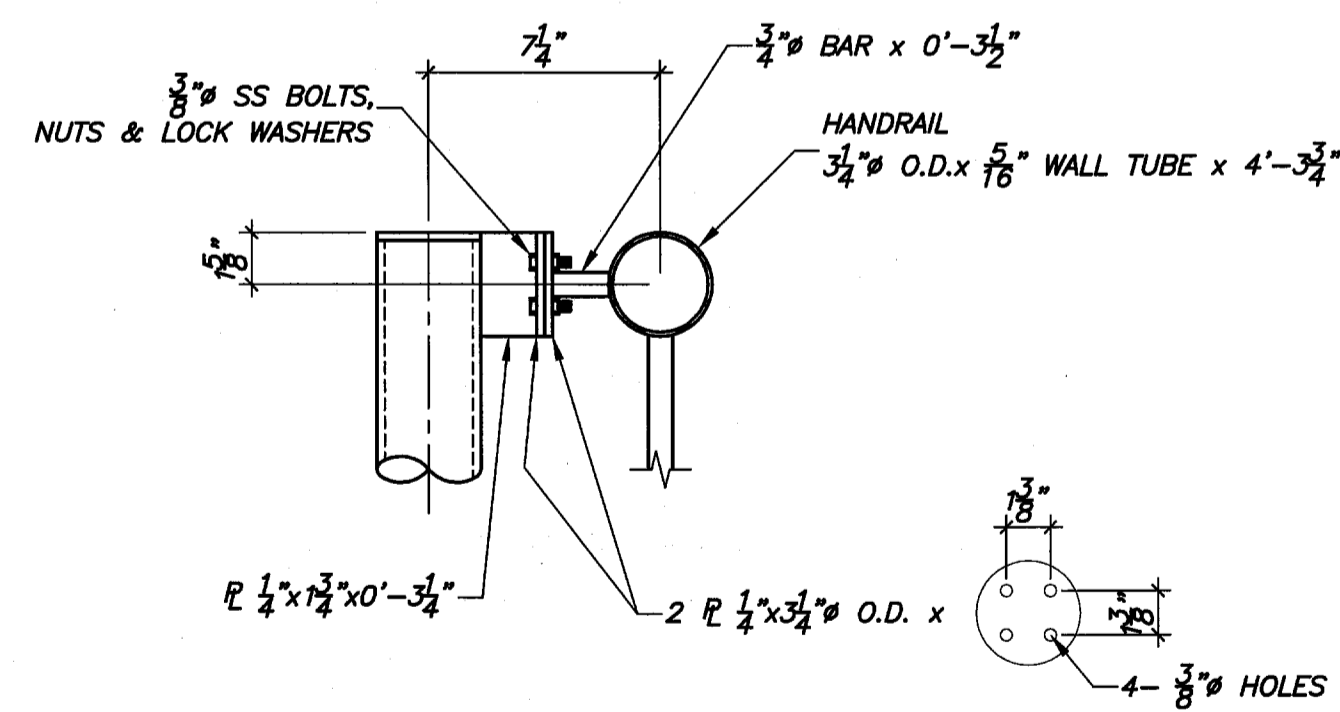
01 HANDRAIL LAYOUT
1/8"=1'-0"



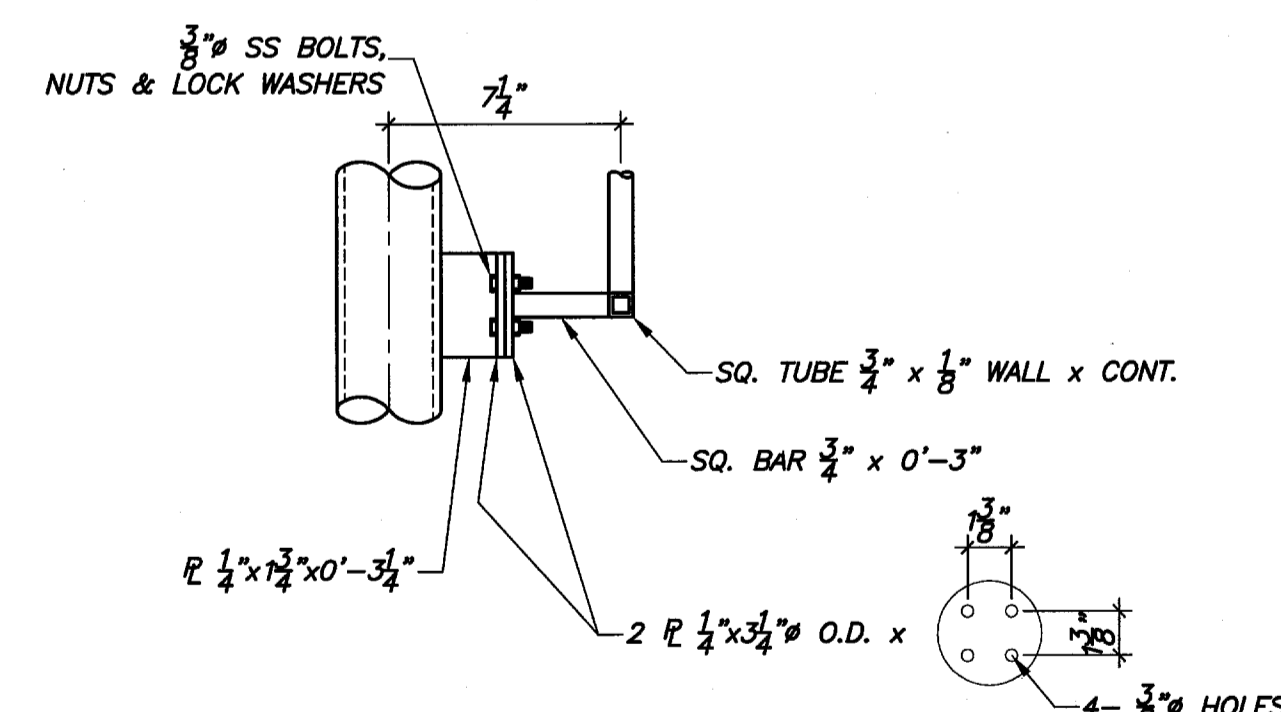
02 PARTIAL PLAN DETAIL
1"=1'-0"



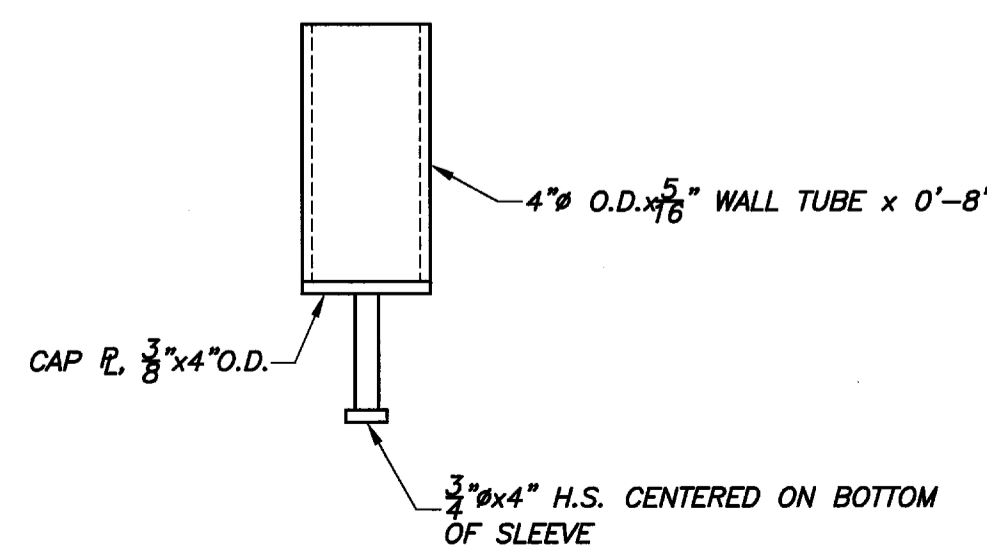
03 SECTION
1"=1'-0"



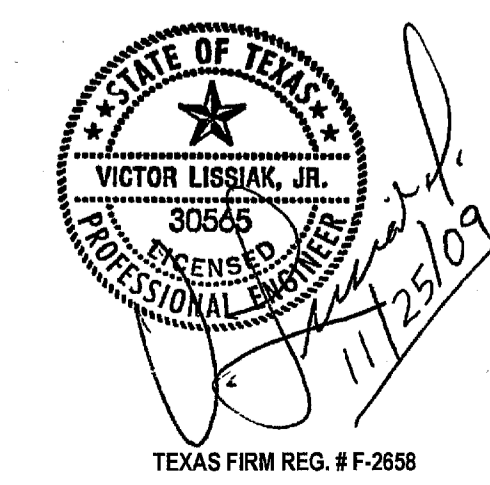
04 DETAIL
N.T.S.



05 DETAIL
N.T.S.



06 DETAIL
N.T.S.



PRELIMINARY—FOR REVIEW ONLY		01/25/09	
NO.	REVISION	BY	DATE
TOWN OF ADDISON DALLAS COUNTY, TEXAS VITRUVIAN PARK BRIDGES PONTE AVE			
HANDRAIL LAYOUT & DETAILS VIEWTECH, INC. Structural Engineers 4205 Beltway Dr. - Addison, Texas 75001 (972) 661-8187 Fax (972) 661-8172			
PROJECT	DESIGN	DATE	FILE
2007.144	VL	NOV. 25 2009	—
			SHEET
			SB209