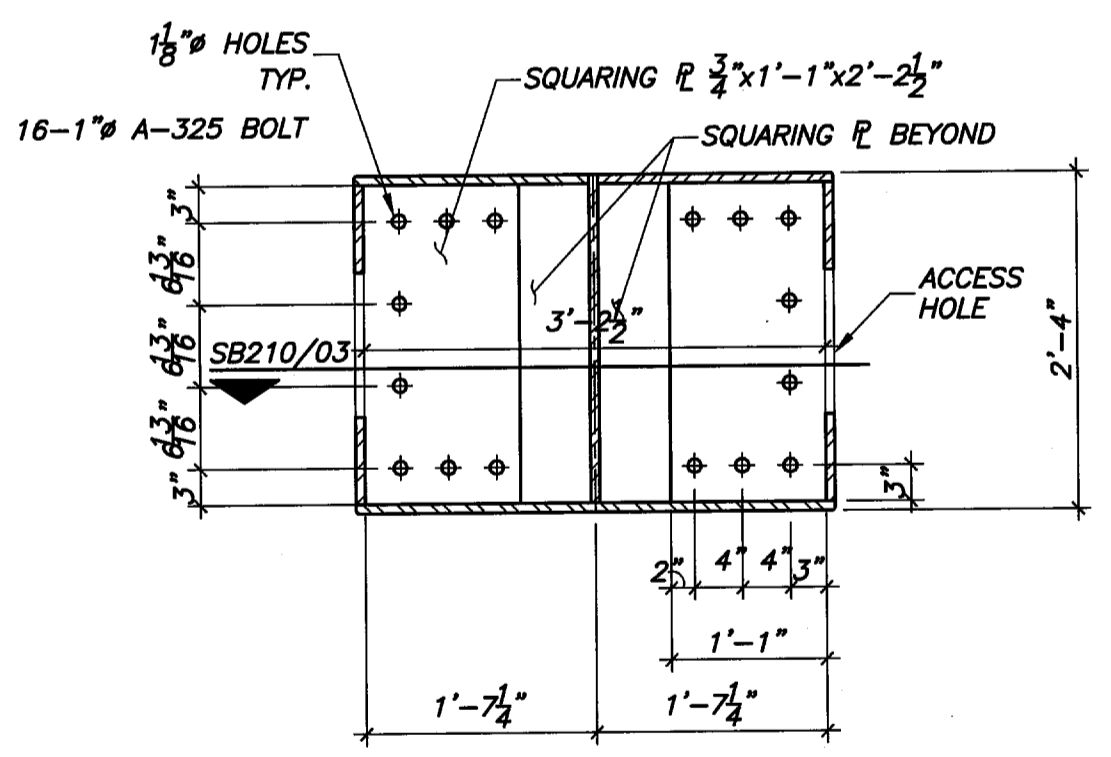
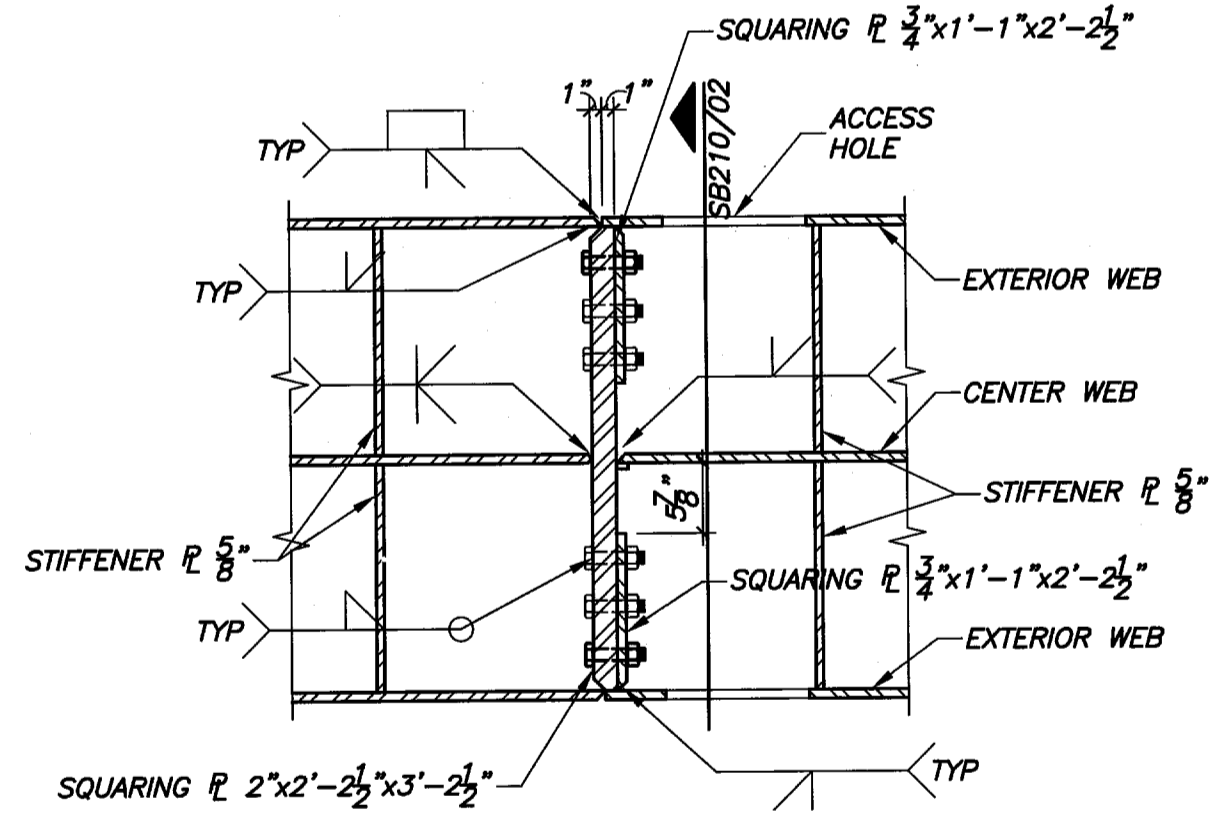


- NOTE:**
1. GEOMETRY SHOWN IS THAT REQUIRED FOR FABRICATION AND DOES NOT REPRESENT CHANGES IN SHAPE THAT WILL OCCUR FROM LOADING.
  2. PLACEMENT OF STEEL ARCH ON LOOSE SHAPED BASE PLATE AS SHOWN ASSUMES ADJUSTMENTS OF POSITIONS OF BASE PLATES THROUGH DOUBLE NUT LEVELING TO ACCOMMODATE FABRICATED FIELD LENGTH OF ARC.

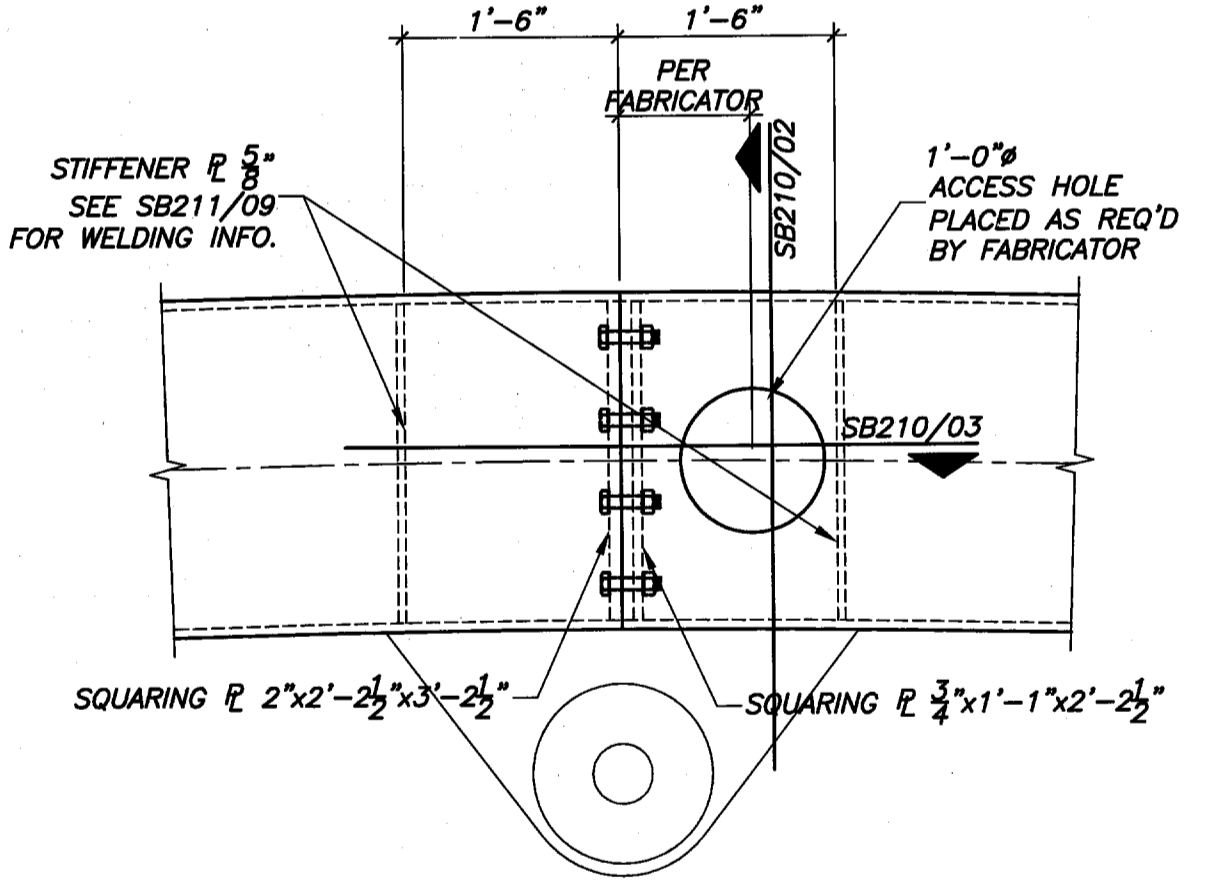
**01 STEEL ARCH RIB PROFILE**  
3/16"=1'-0"



**02 SECTION**  
3/4"=1'-0"

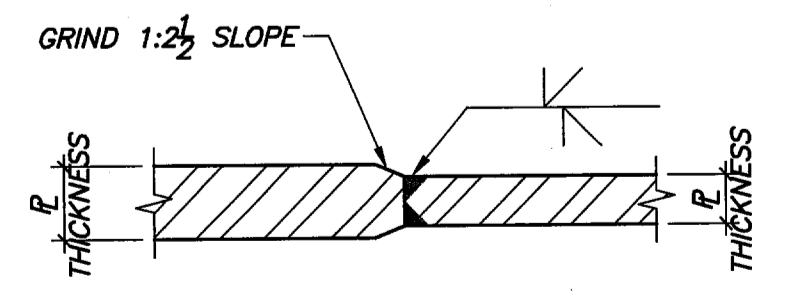


**03 FIELD SPLICE DETAIL PARTIAL PLAN VIEW**  
3/4"=1'-0"

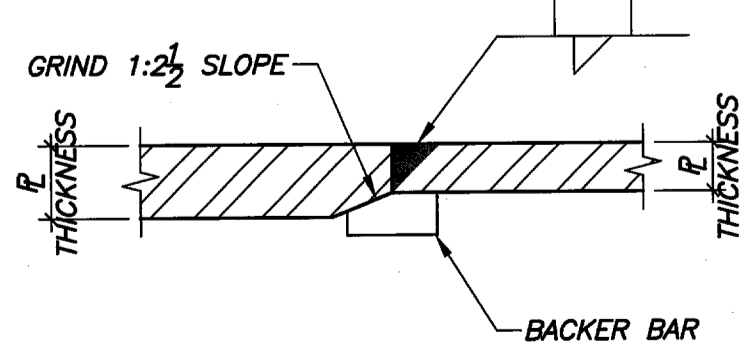


**04 FIELD SPLICE DETAIL ELEVATION VIEW**  
3/4"=1'-0"

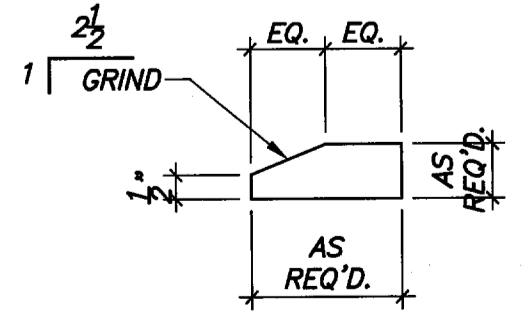
TABLE OF ESTIMATED QUANTITIES	
	PER ARCH
TONS OF STRUCTURAL STEEL	50



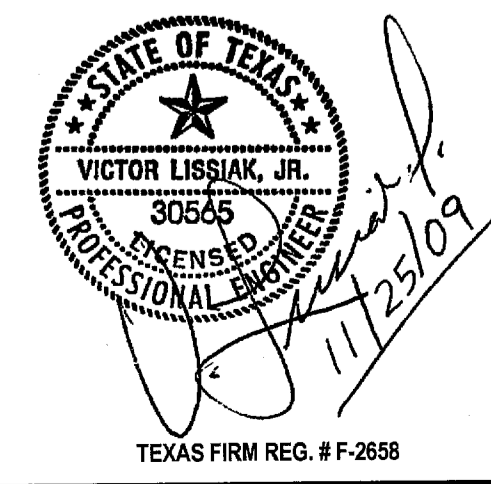
**05 TYPICAL CENTER WEB SHOP SPLICE DETAIL AT TRANSITION**  
3"=1'-0"



**06 TYPICAL SHOP SPLICE DETAIL AT TRANSITION**  
3"=1'-0"



**07 BACKER BAR DETAIL**  
N.T.S.



PRELIMINARY-FOR REVIEW ONLY		01/25/09	
NO.	REVISION	BY	DATE
TOWN OF ADDISON DALLAS COUNTY, TEXAS			
VITRUVIAN PARK BRIDGES PONTE AVE			
<b>STEEL ARCH RIB PROFILE</b>			
<b>VIEWTECH, INC.</b>		4205 Beltway Dr. - Addison, Texas 75001	
Structural Engineers		(972) 661-8187 Fax (972) 661-8172	
PROJECT	DESIGN	DRAWN	DATE
2007.144	VL	NERF	NOV. 25 2009
FILE	SHEET		
-	SB210		