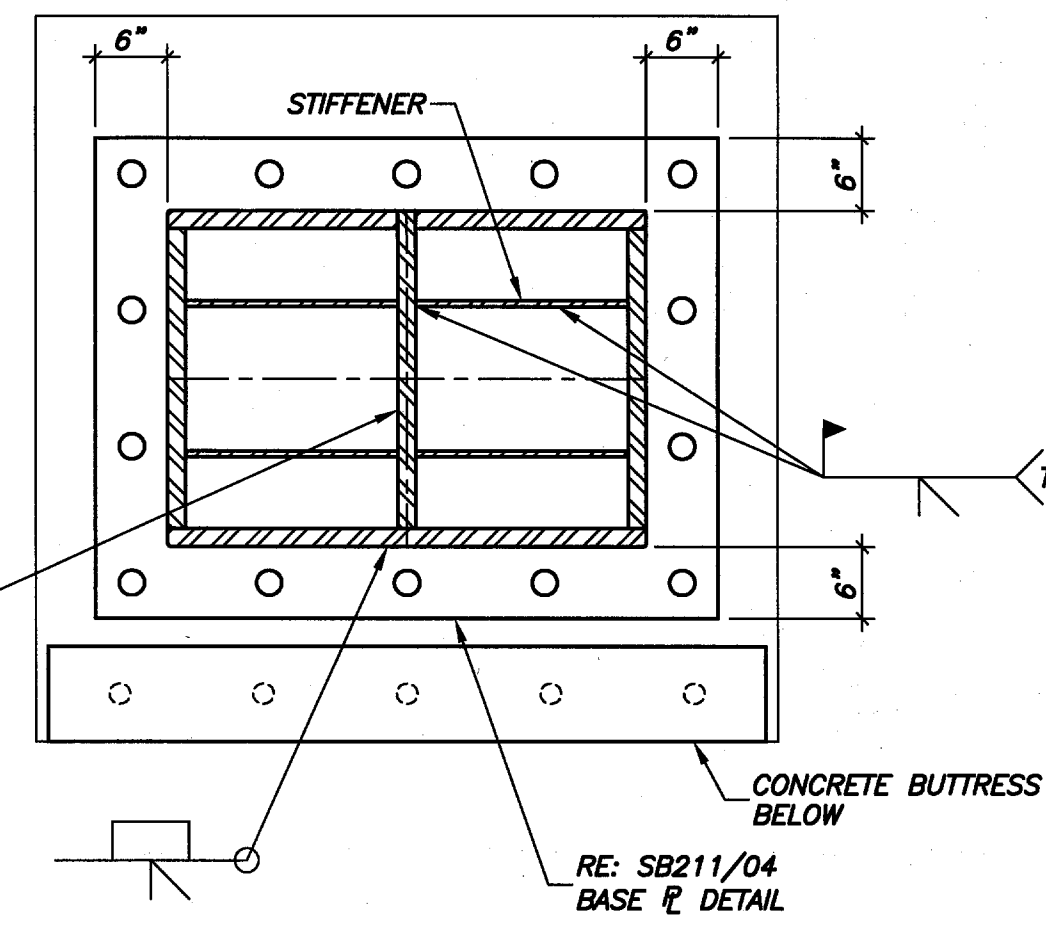
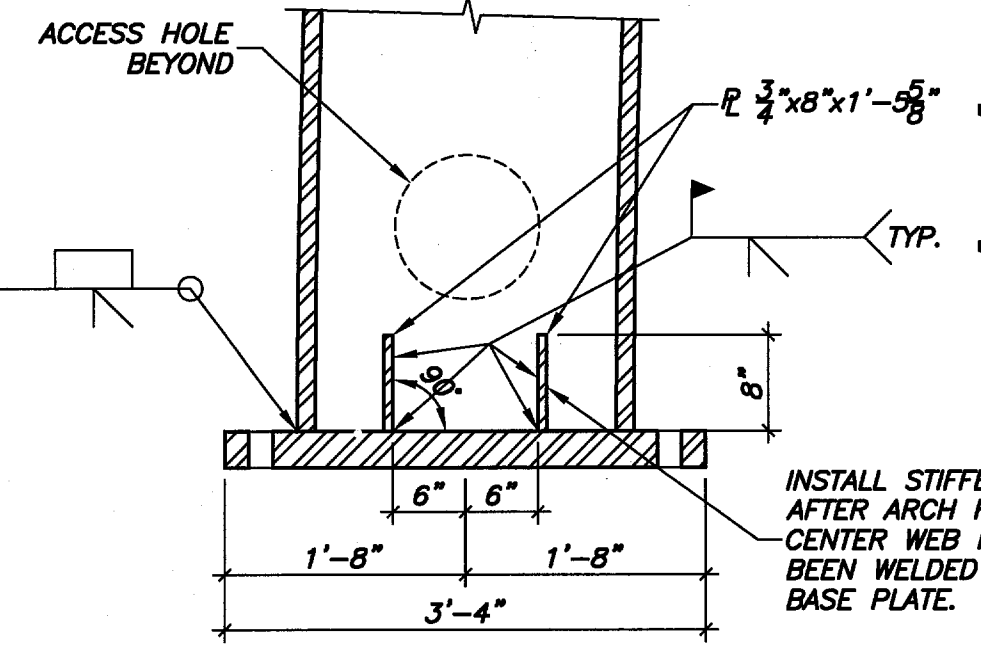


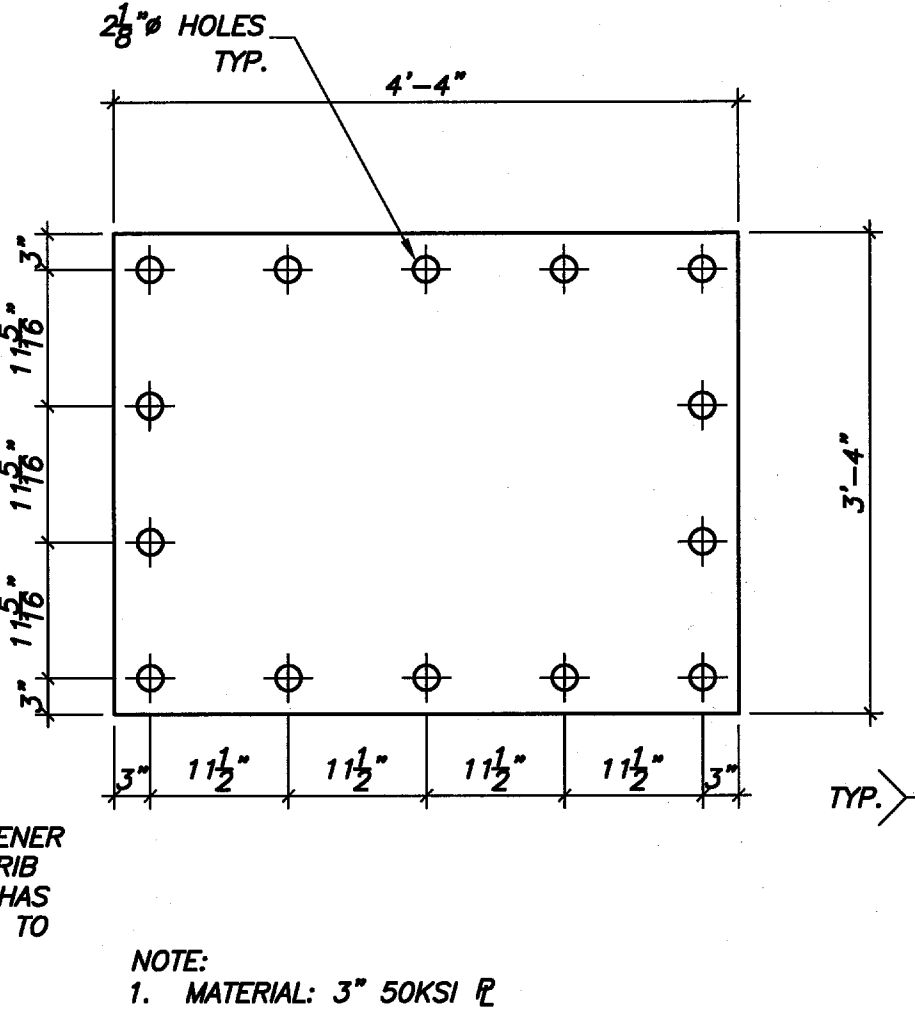
01 DETAIL  
3/4"=1'-0"



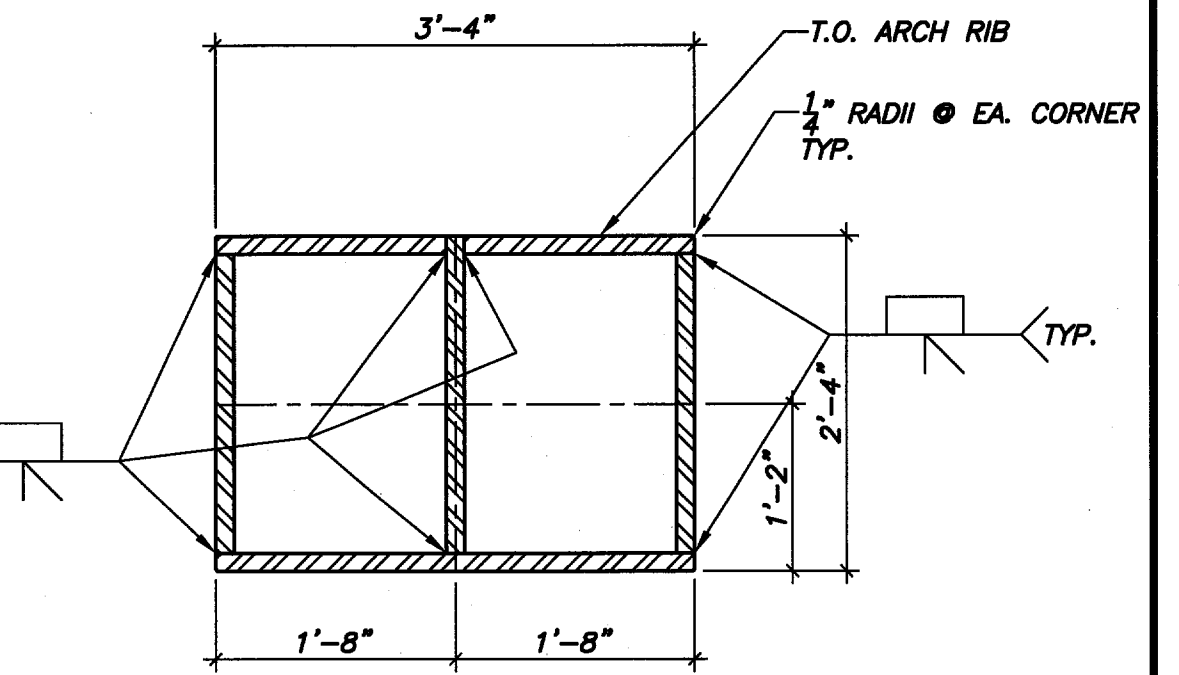
02 DETAIL  
3/4"=1'-0"



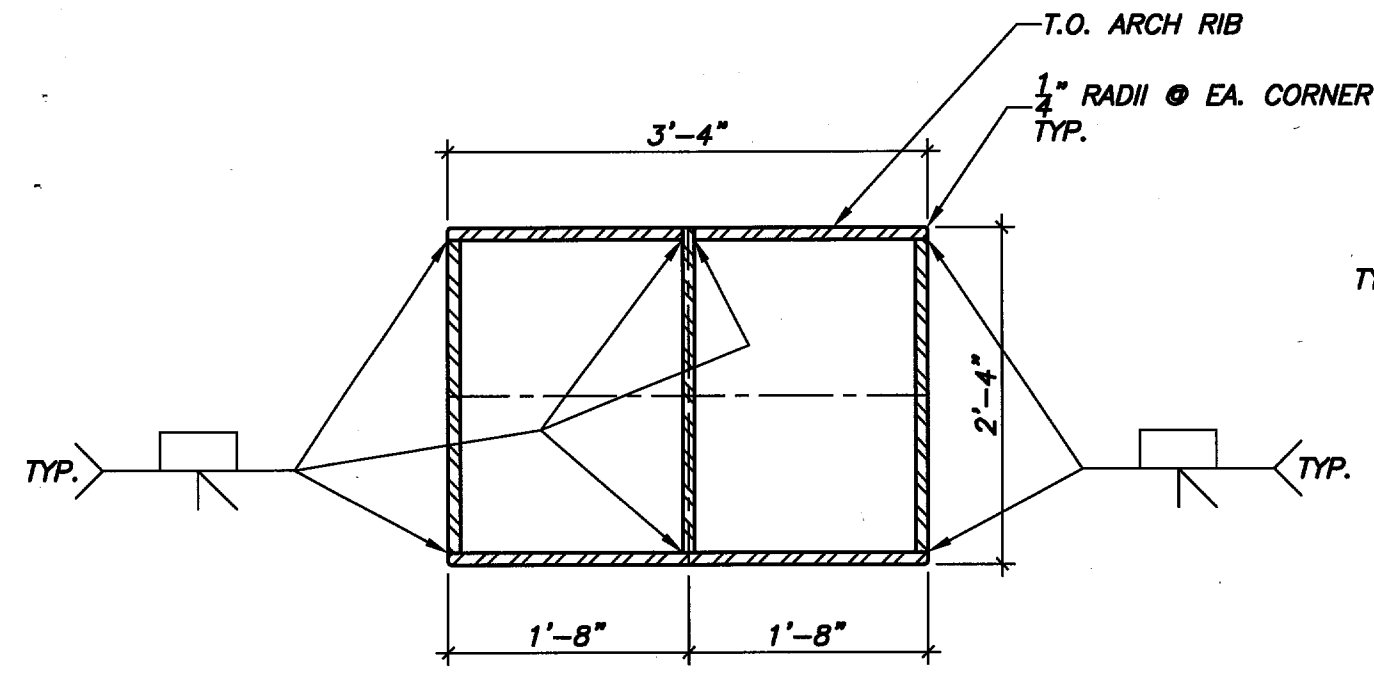
03 SECTION  
3/4"=1'-0"



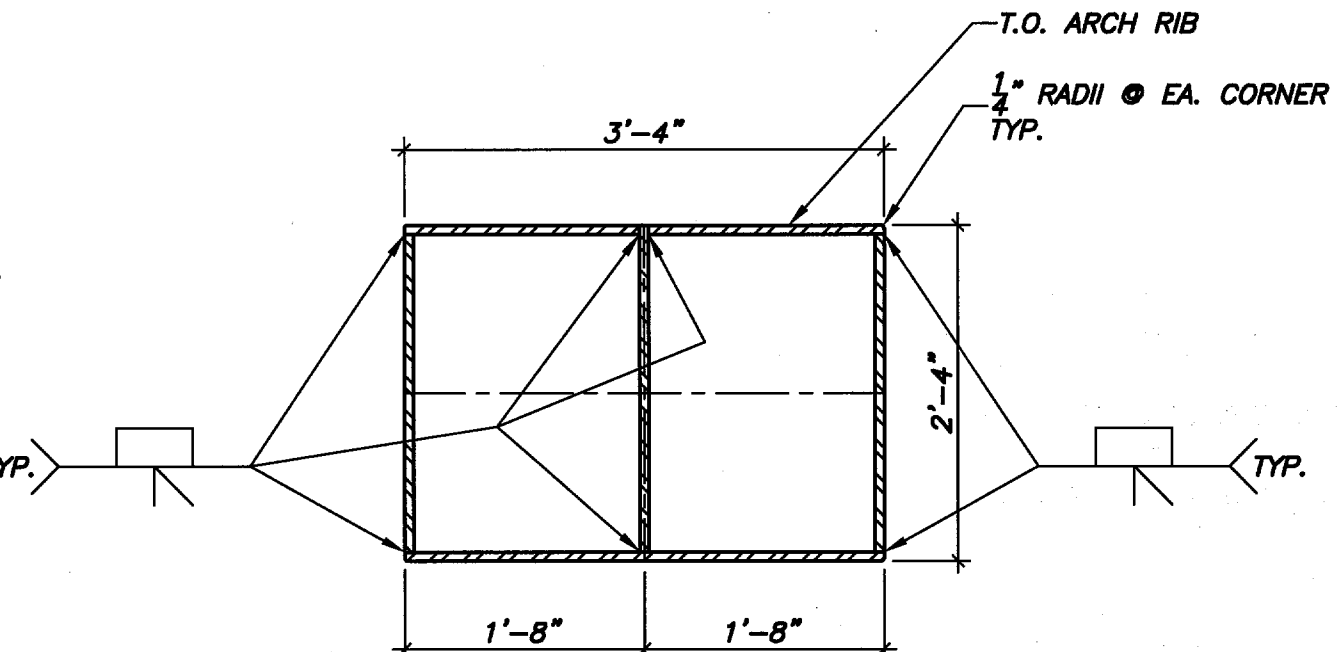
04 BASE PLATE DETAIL  
3/4"=1'-0"



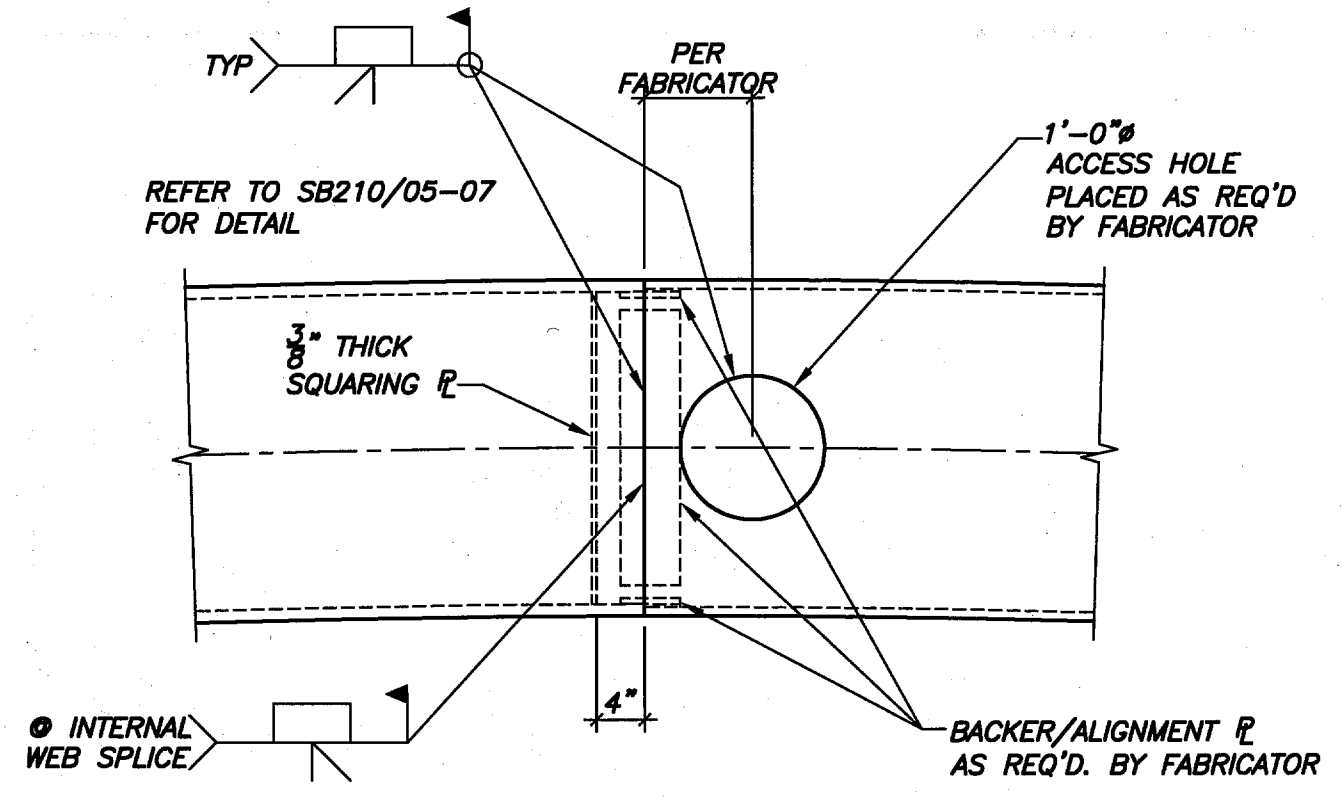
05 SECTION  
3/4"=1'-0"



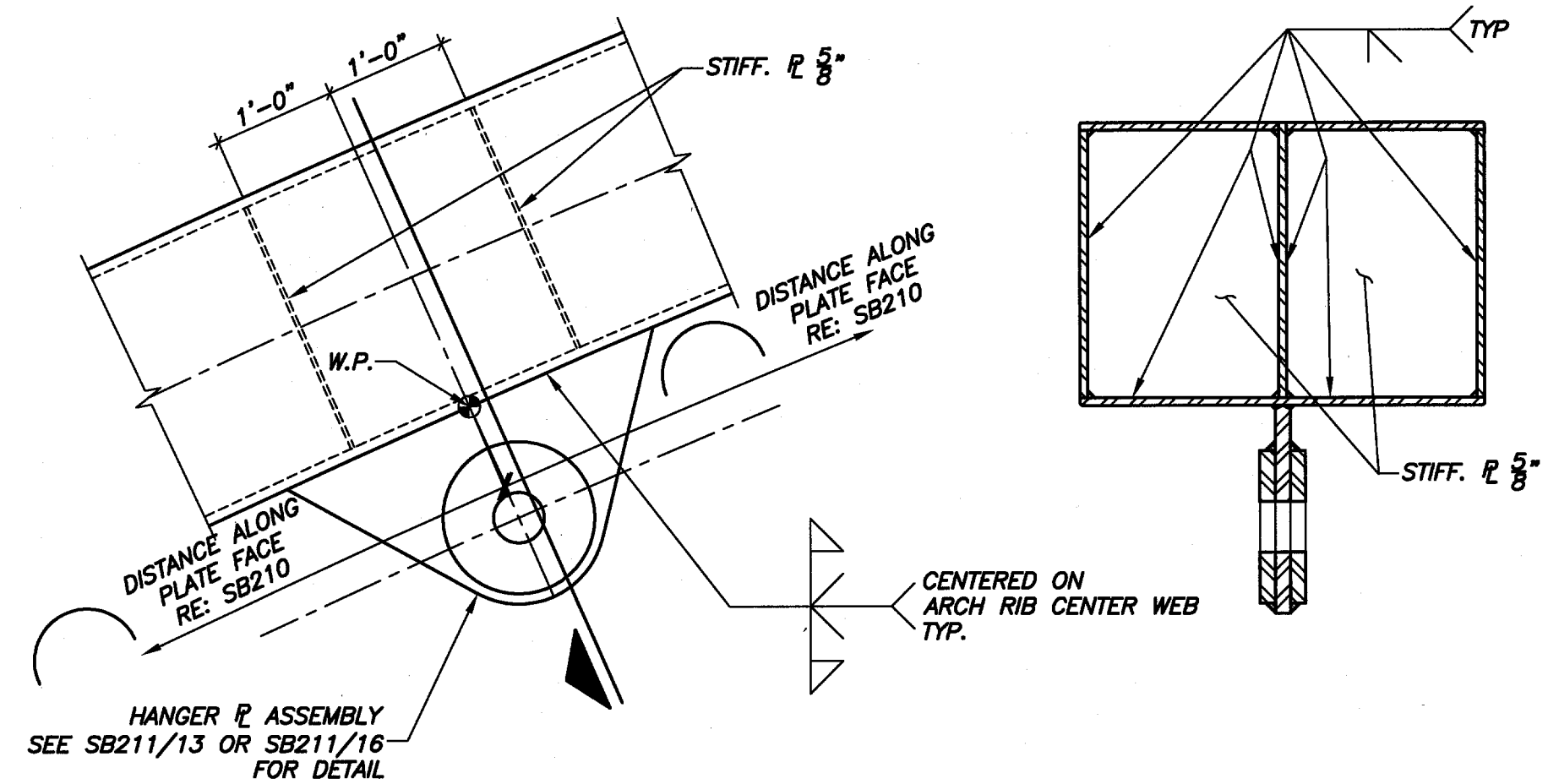
06 SECTION  
3/4"=1'-0"



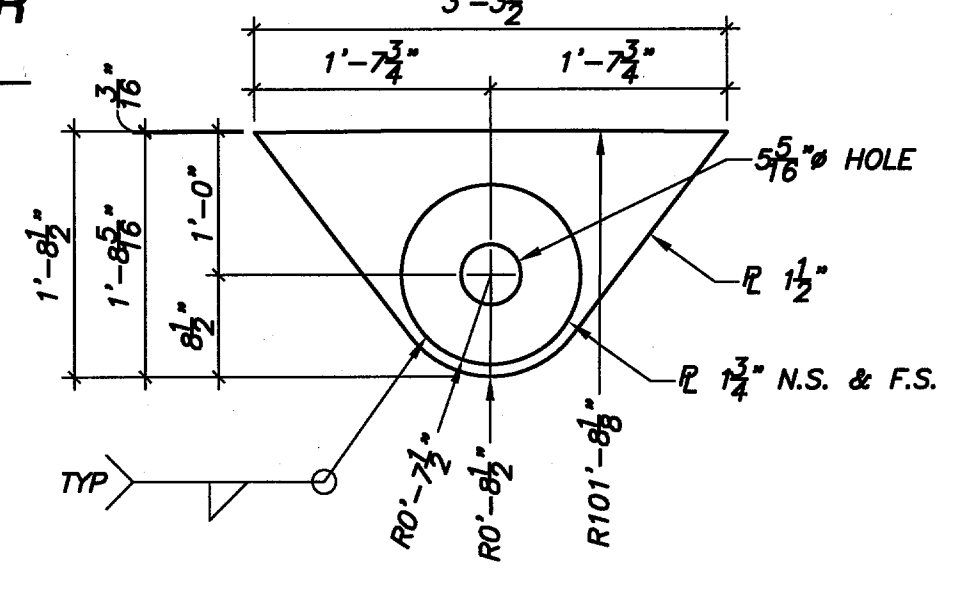
07 SECTION  
3/4"=1'-0"



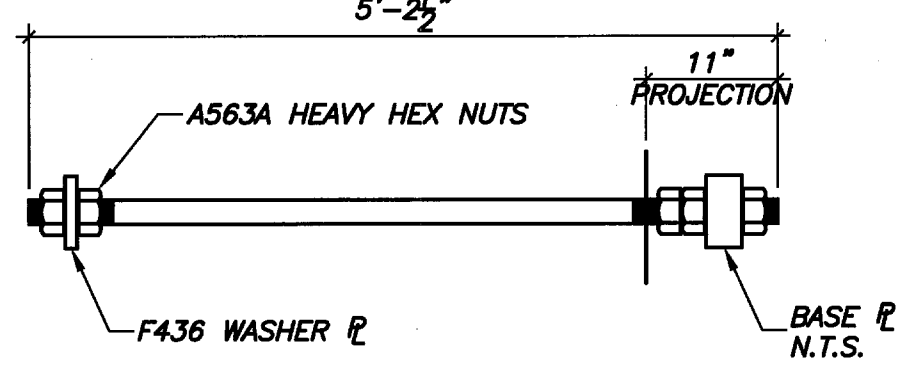
08 TYP. SHOP SPLICE DETAIL  
3/4"=1'-0"



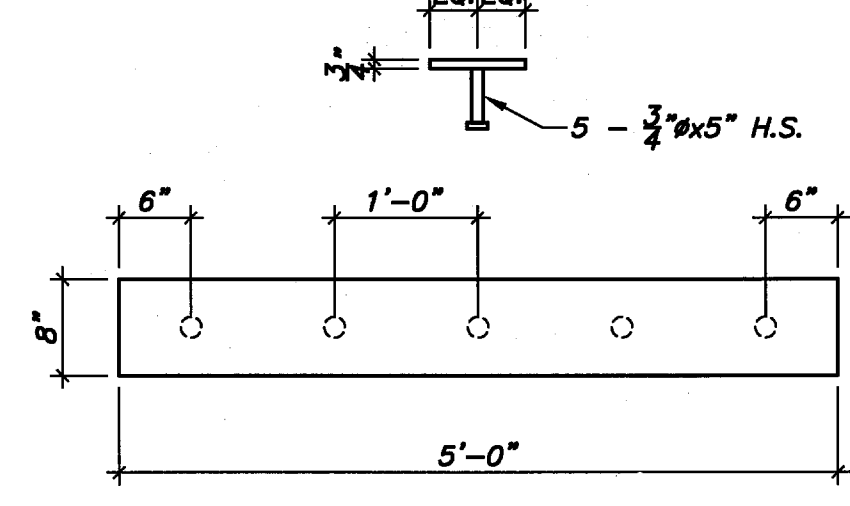
09 TYP. CLEVIS HANGER PLATE LOCATION  
3/4"=1'-0"



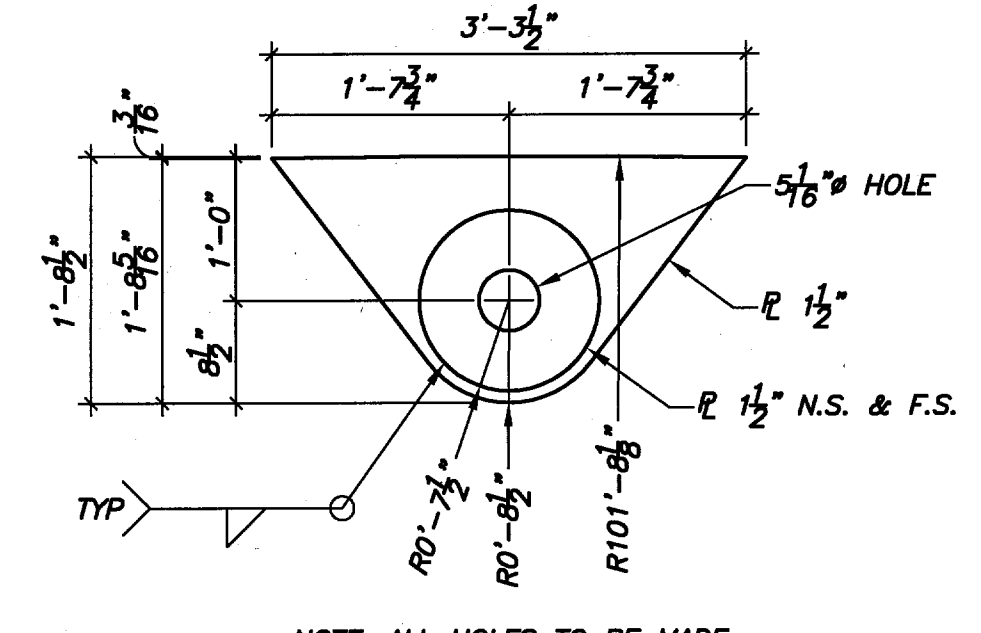
10 WASHER PLATE DETAIL  
3/4"=1'-0"



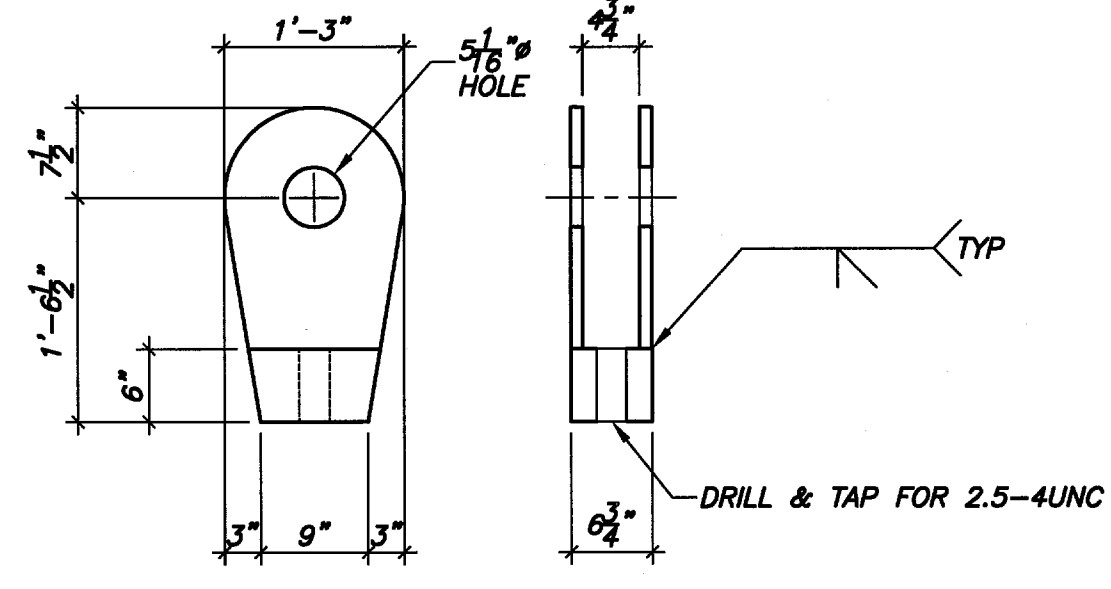
11 ANCHOR BOLTS & NUTS



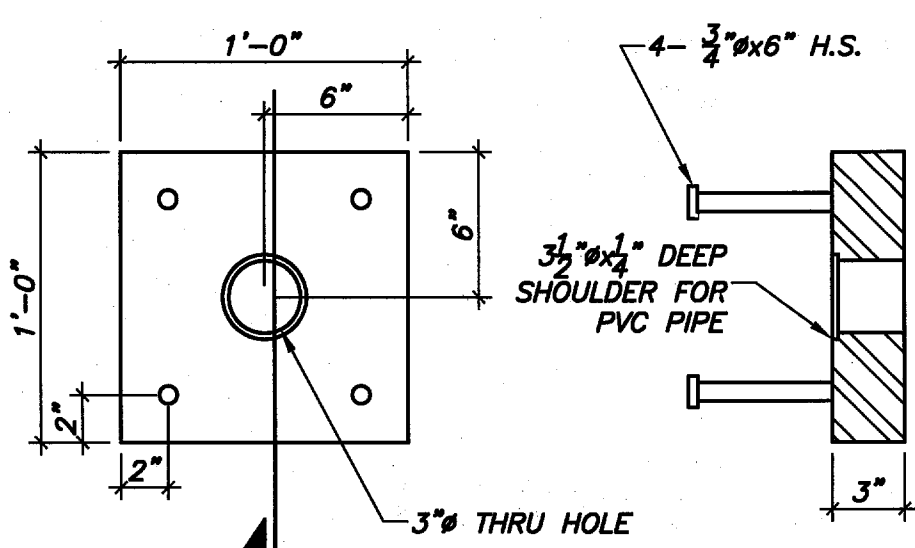
12 EMBED DETAIL  
3/4"=1'-0"



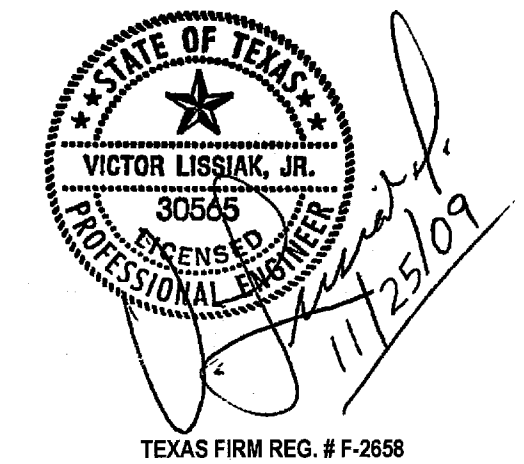
13 HANGER PLATE ASSEMBLY FOR PT-BAR HANGER  
3/4"=1'-0"



14 CLEVIS ASSEMBLY  
3/4"=1'-0"



15 HANGER BEARING PLATE DETAIL  
3/4"=1'-0"



16 ALTERNATE HANGER PLATE ASSEMBLY FOR STRAND HANGER  
3/4"=1'-0"

PRELIMINARY-FOR REVIEW ONLY				01/25/09	
NO.	REVISION			BY	DATE
VITRUVIAN PARK BRIDGES PONTE AVE					
<b>SECTIONS &amp; DETAILS</b>					
<b>VIEWTECH, INC.</b> Structural Engineers					
4205 Beltway Dr. - Addison, Texas 75001 (972) 661-8187 Fax (972) 661-8172					
PROJECT	DESIGN	DRAWN	DATE	FILE	SHEET
2007.144	VL	NERF	NOV. 25 2009	-	SB211

TEXAS FIRM REG. # F-2668