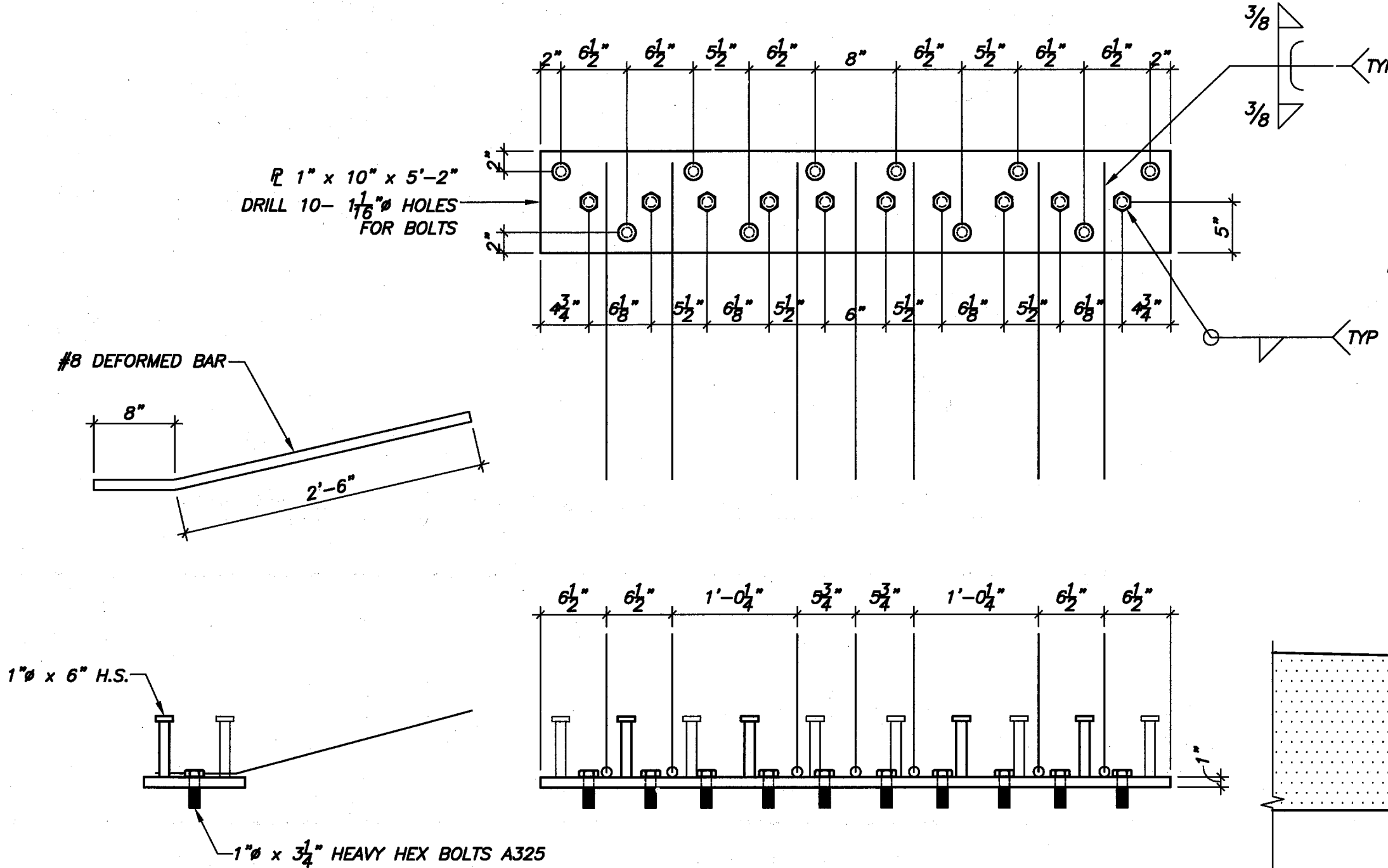
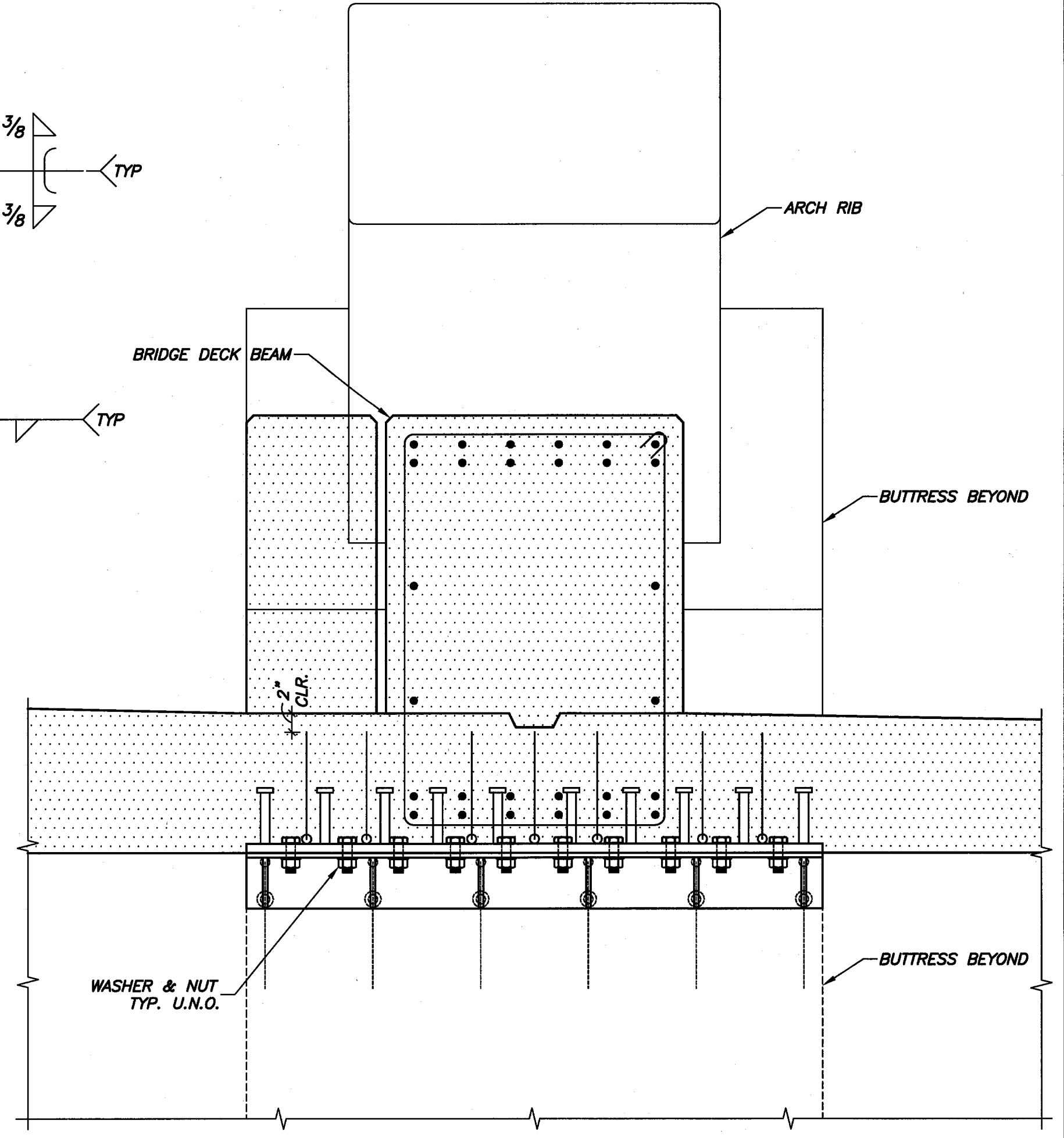


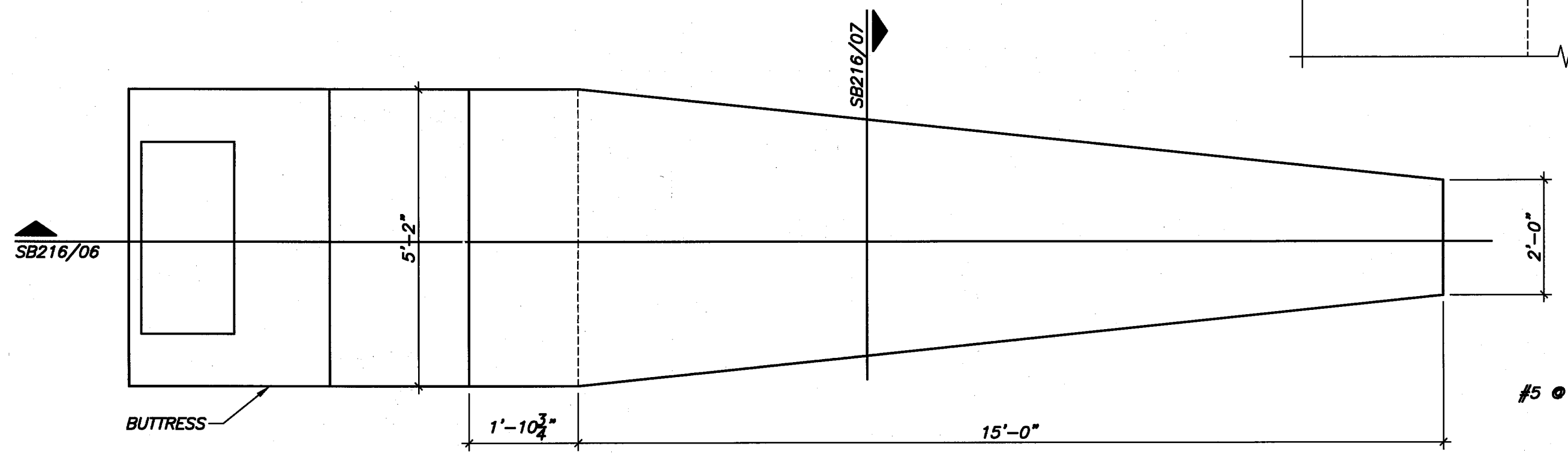
**01 BRIDGE BUTTRESS
FIXED CONN. EMBED DETAIL**
1"=1'-0"



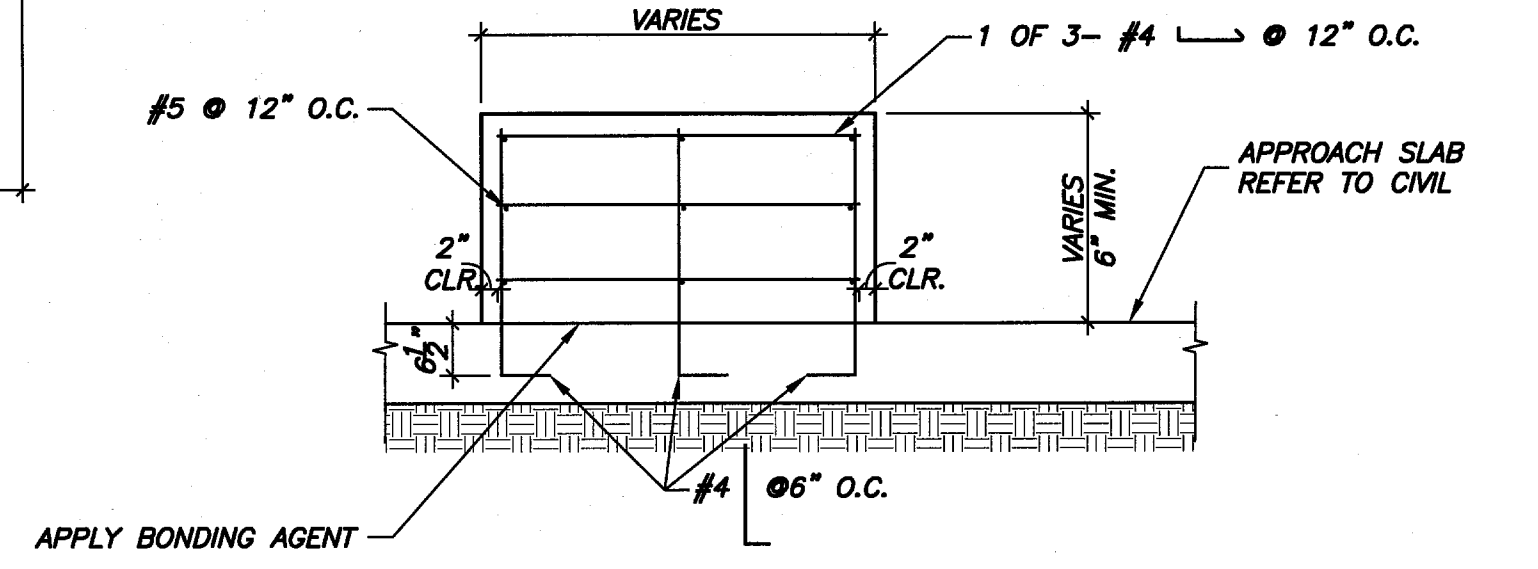
02 BRIDGE DECK EMBED DETAIL
1"=1'-0"



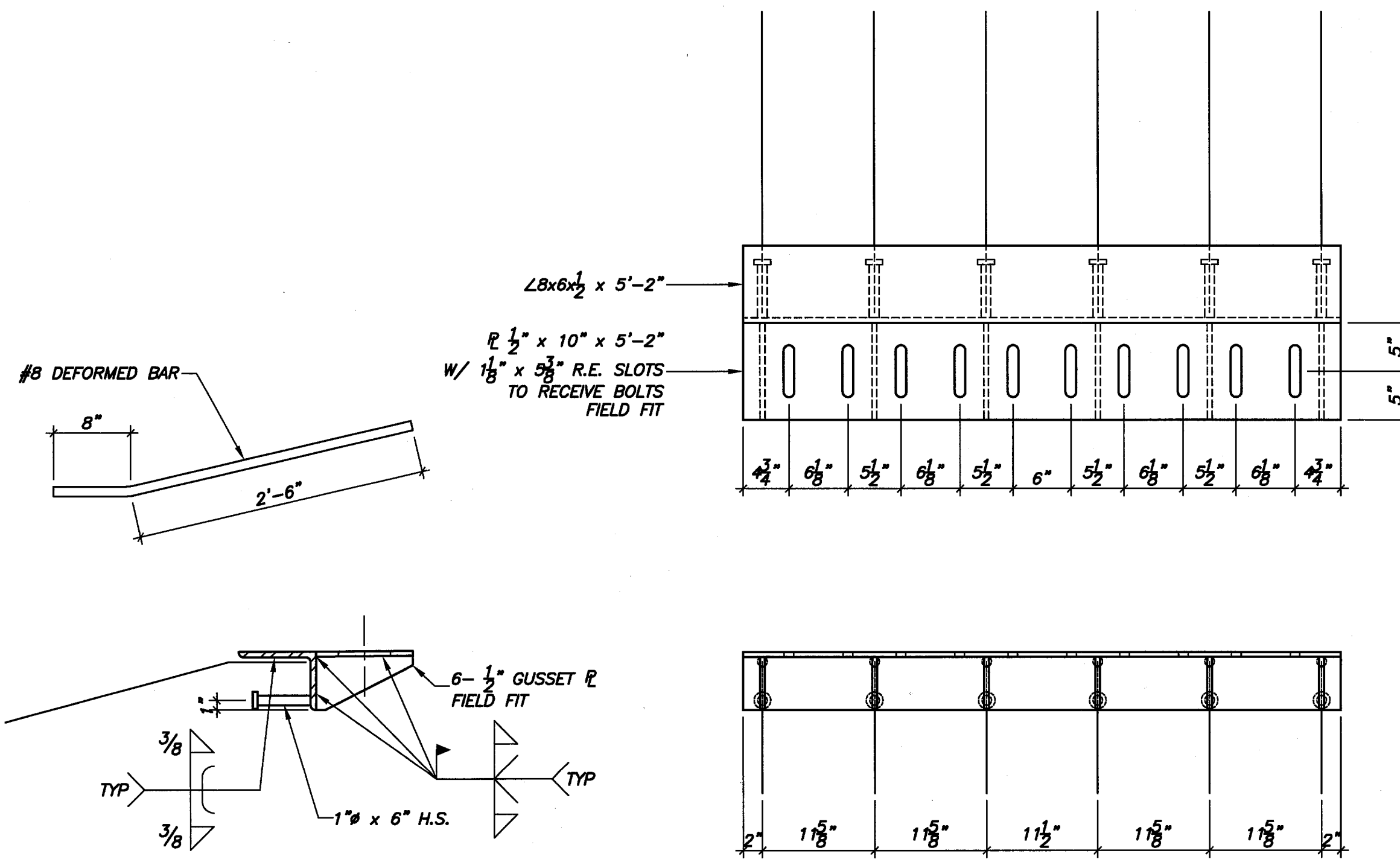
04 DETAIL
1"=1'-0"



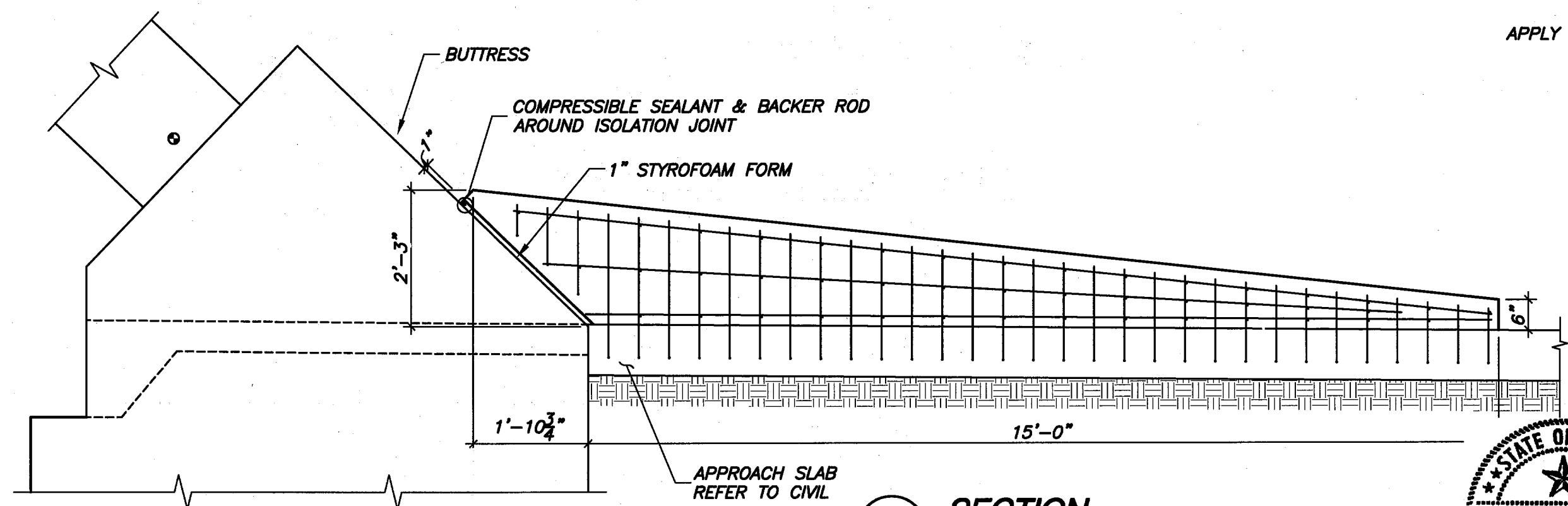
05 BUTTRESS END TREATMENT
1/2"=1'-0"



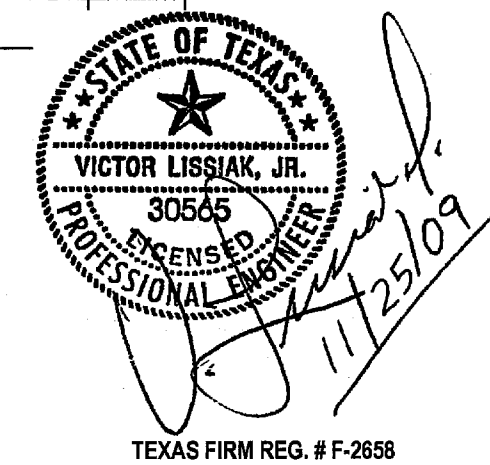
07 SECTION
1/2"=1'-0"



**03 BRIDGE BUTTRESS
SLIP CONN. EMBED DETAIL**
1"=1'-0"



06 SECTION
1/2"=1'-0"



PRELIMINARY-FOR REVIEW ONLY		NO.	REVISION	BY	DATE
					01/25/09
TOWN OF ADDISON DALLAS COUNTY, TEXAS					
VITRUVIAN PARK BRIDGES PONTE AVE					
SECTIONS & DETAILS					
VIEWTECH, INC.		4205 Beltway Dr. - Addison, Texas 75001 (972) 661-8187 Fax (972) 661-8172			
PROJECT	DESIGN	DRAWN	DATE	FILE	SHEET
2007.144	VL	NERF	NOV. 25 2009	-	SB216