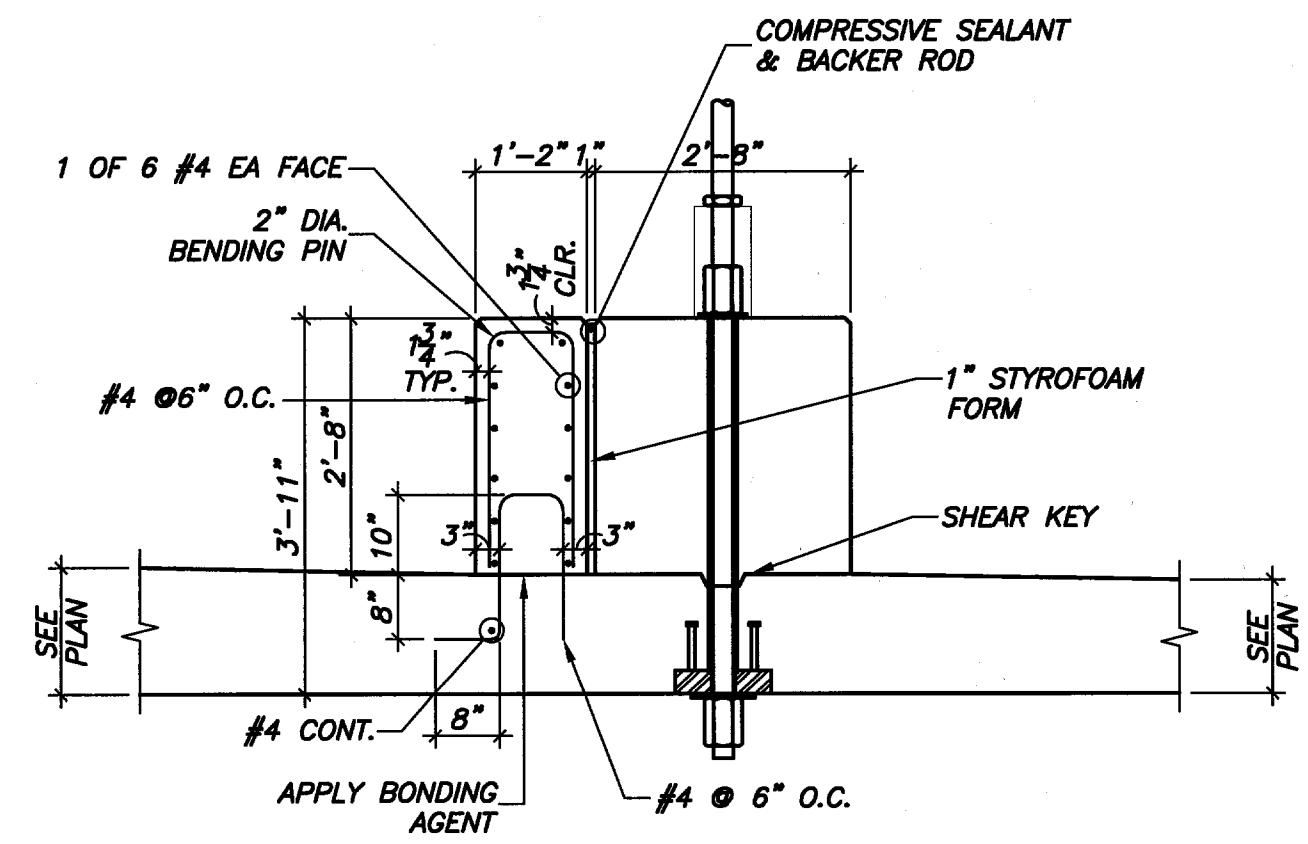
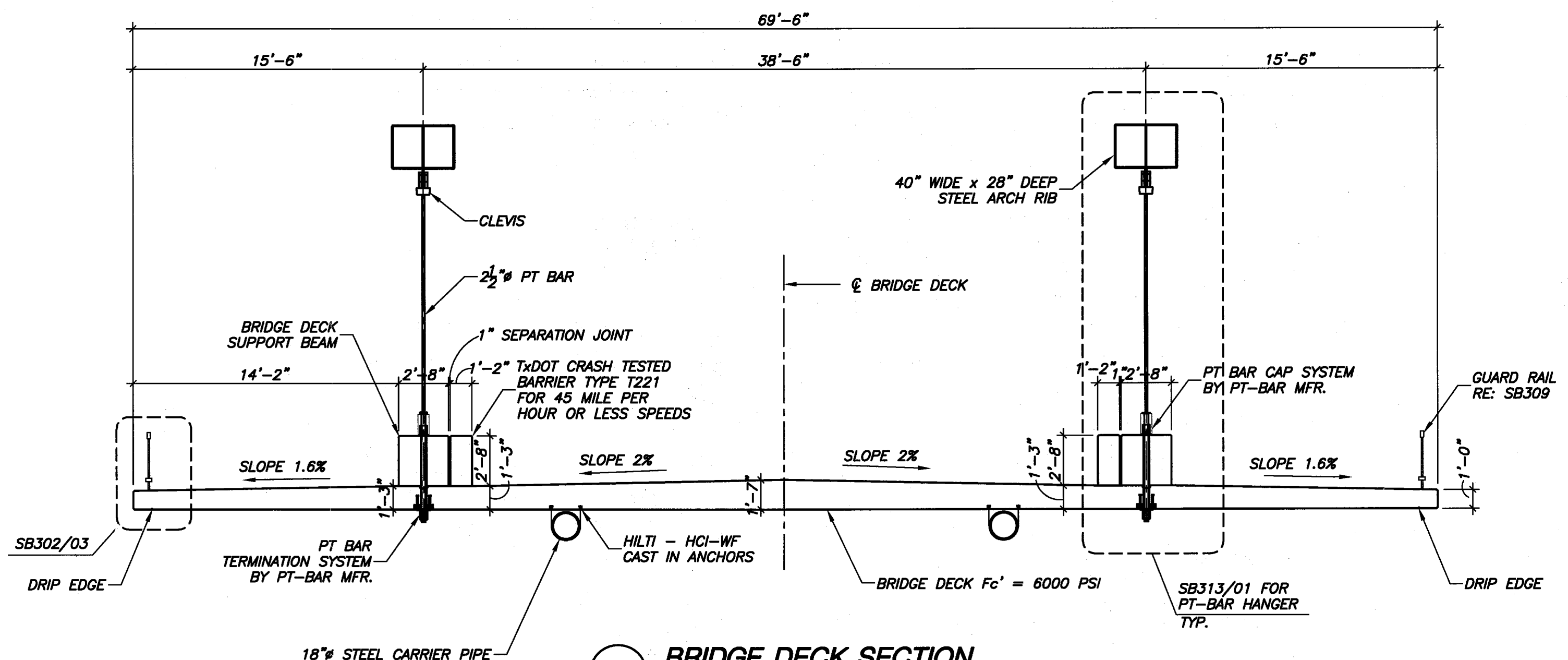


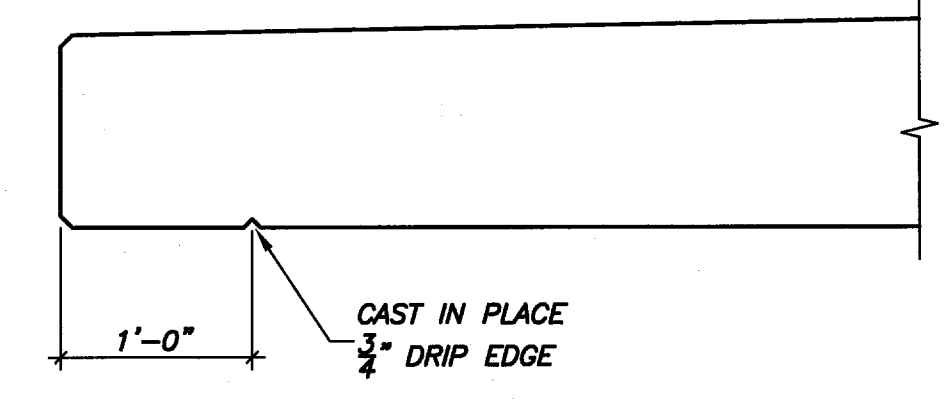
01 SECTION  
1/8" = 1'-0"



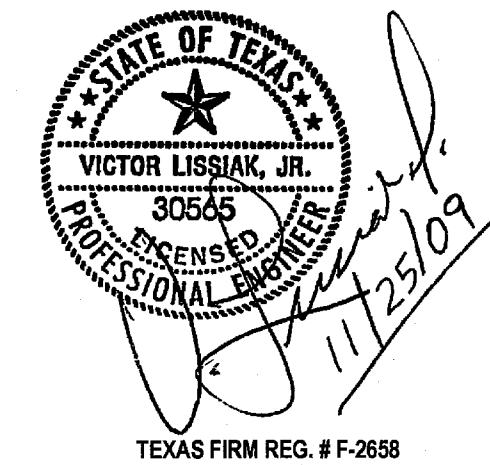
04 TYP. TxDOT CRASH BARRIER DETAIL  
1/2" = 1'-0"



02 BRIDGE DECK SECTION  
1/8" = 1'-0"



03 TYP. DRIP EDGE DETAIL  
N.T.S.



PRELIMINARY-FOR REVIEW ONLY					01/25/09
NO.	REVISION	BY	DATE		
TOWN OF ADDISON DALLAS COUNTY, TEXAS					
VITRUVIAN PARK BRIDGES BELLA LANE					
BRIDGE DETAILS					
VIEWTECH, INC.			4205 Beltway Dr. - Addison, Texas 75001 (972) 661-8187 Fax (972) 661-8172		
PROJECT	DESIGN	DRAWN	DATE	FILE	SHEET
2007.144	VL	NERF	NOV. 25 2009	-	SB302