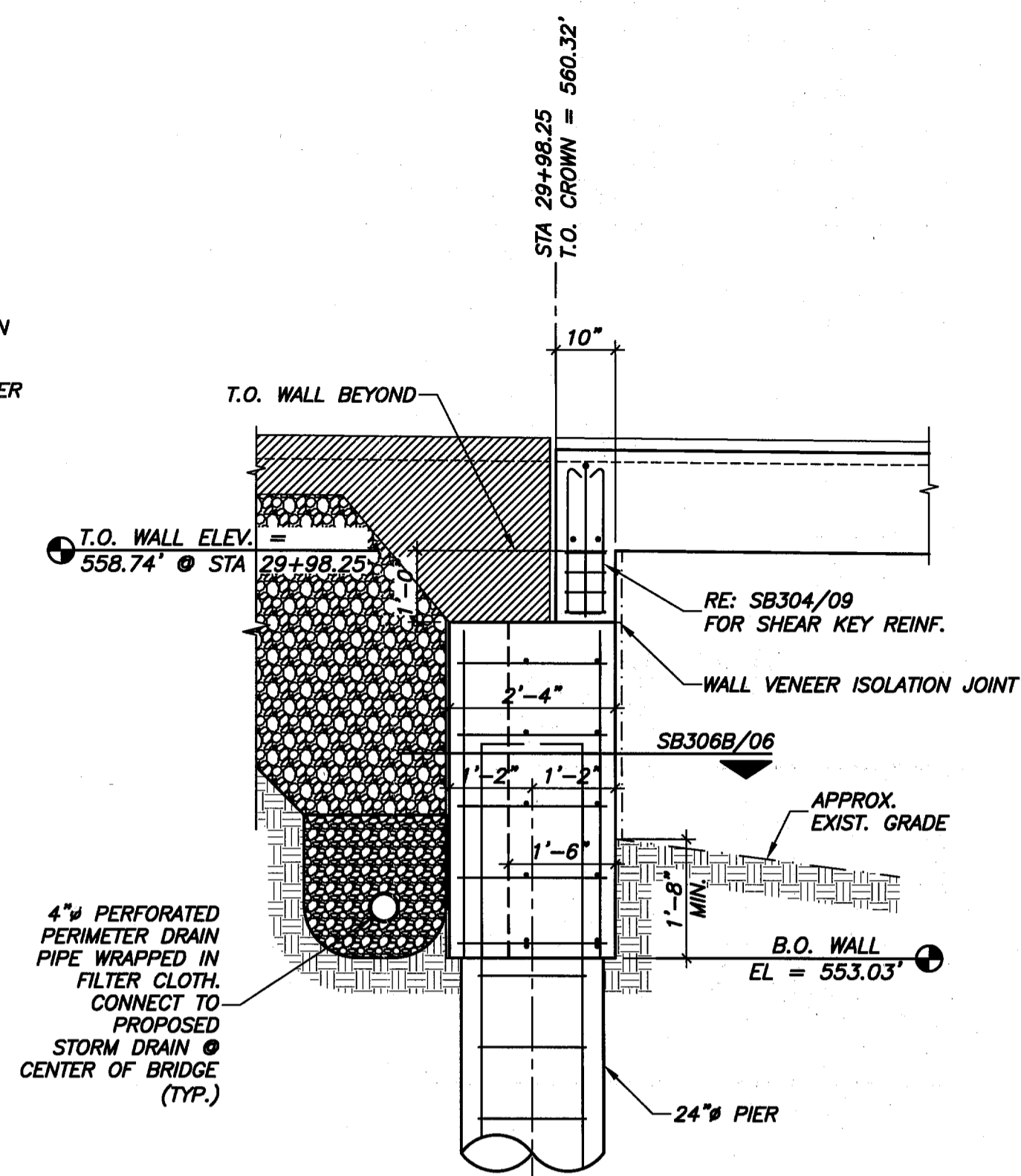
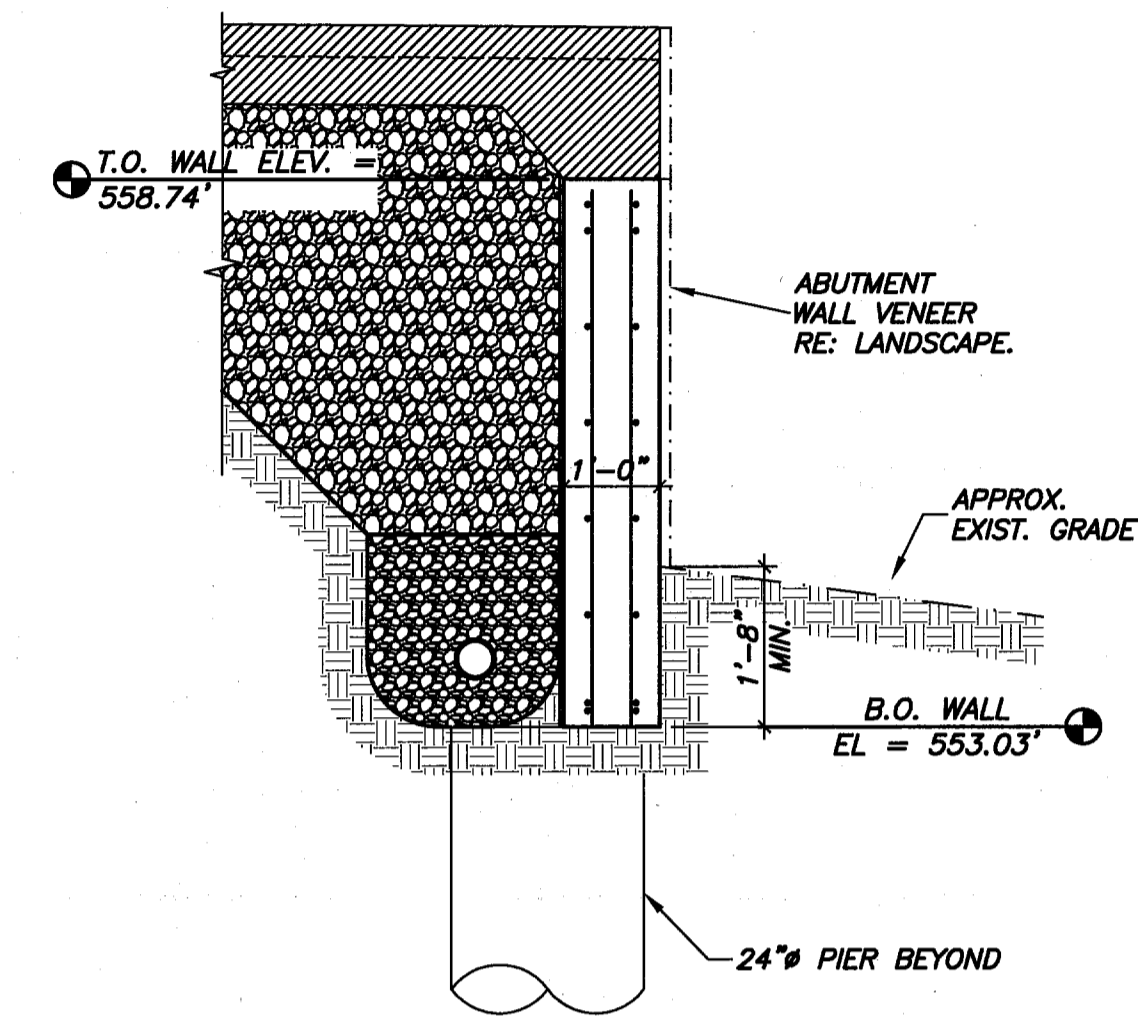


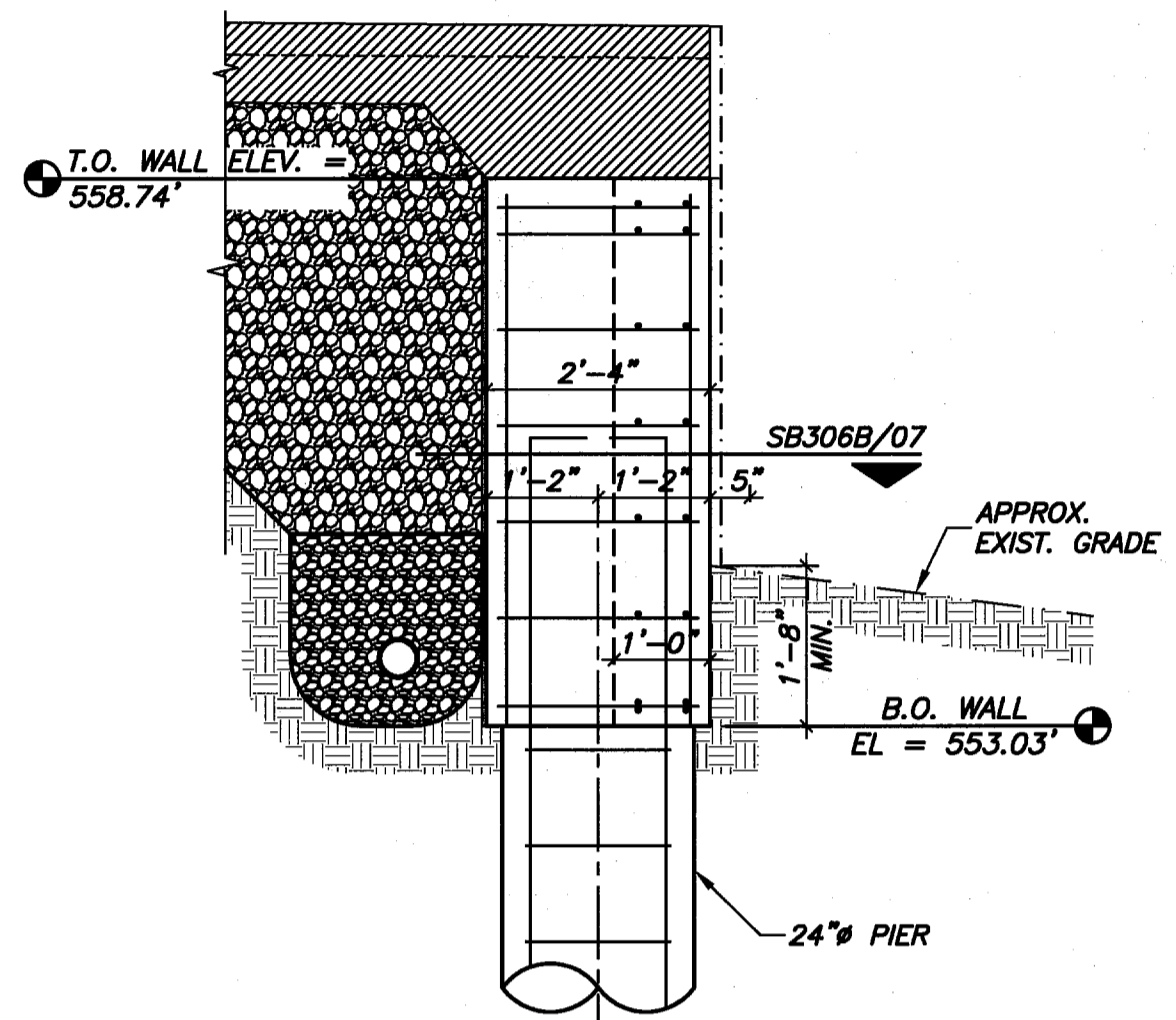
01 SOUTH ABUTMENT SECTION
1/2"=1'-0"



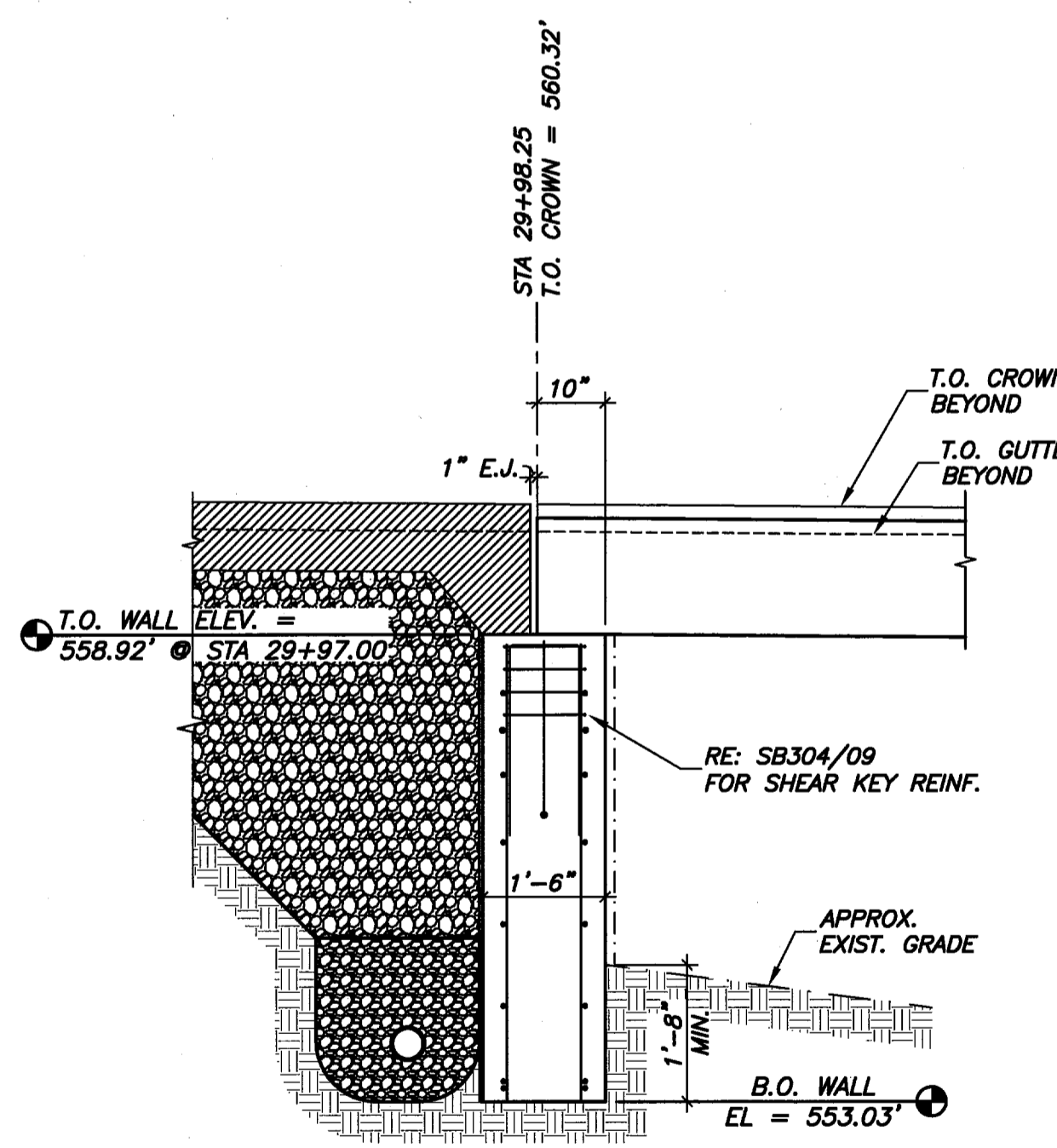
02 SOUTH ABUTMENT SECTION
1/2"=1'-0"



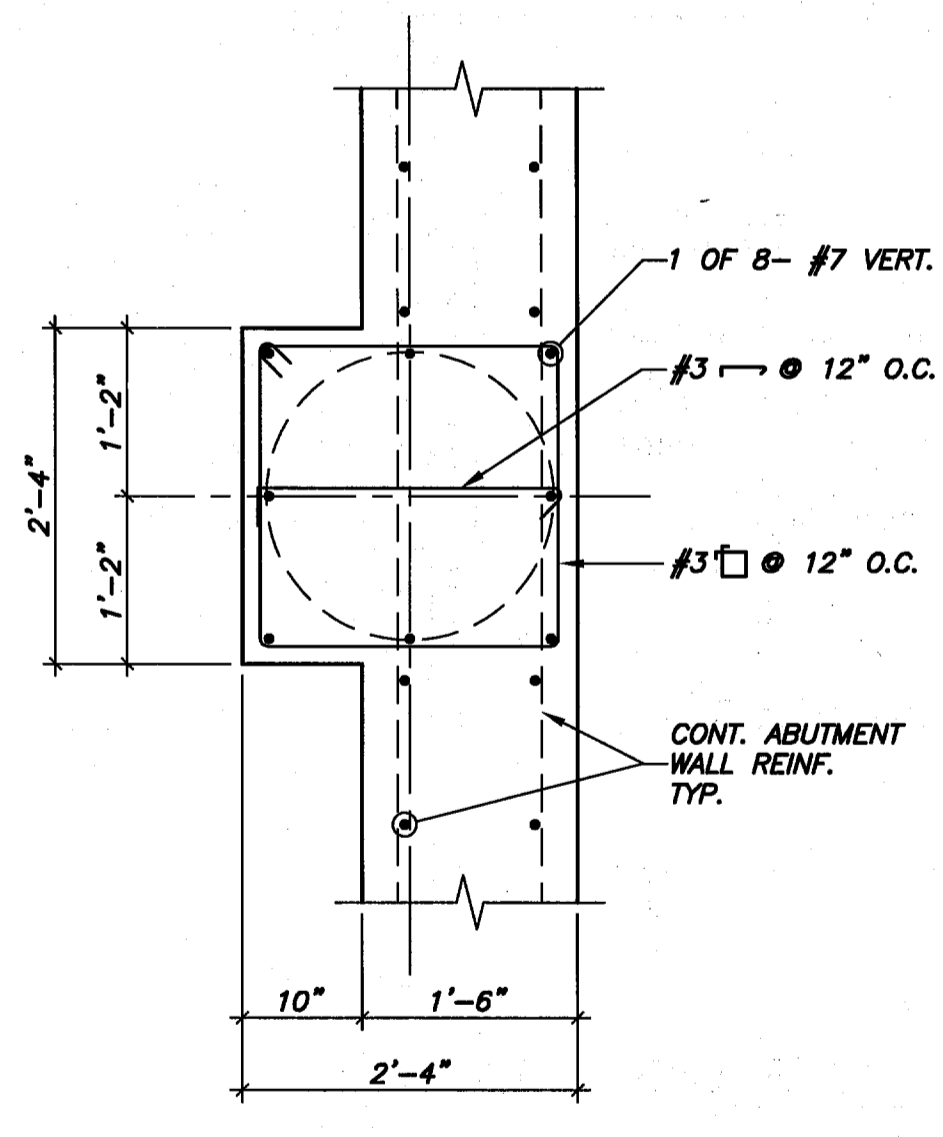
03 SOUTH ABUTMENT SECTION
1/2"=1'-0"



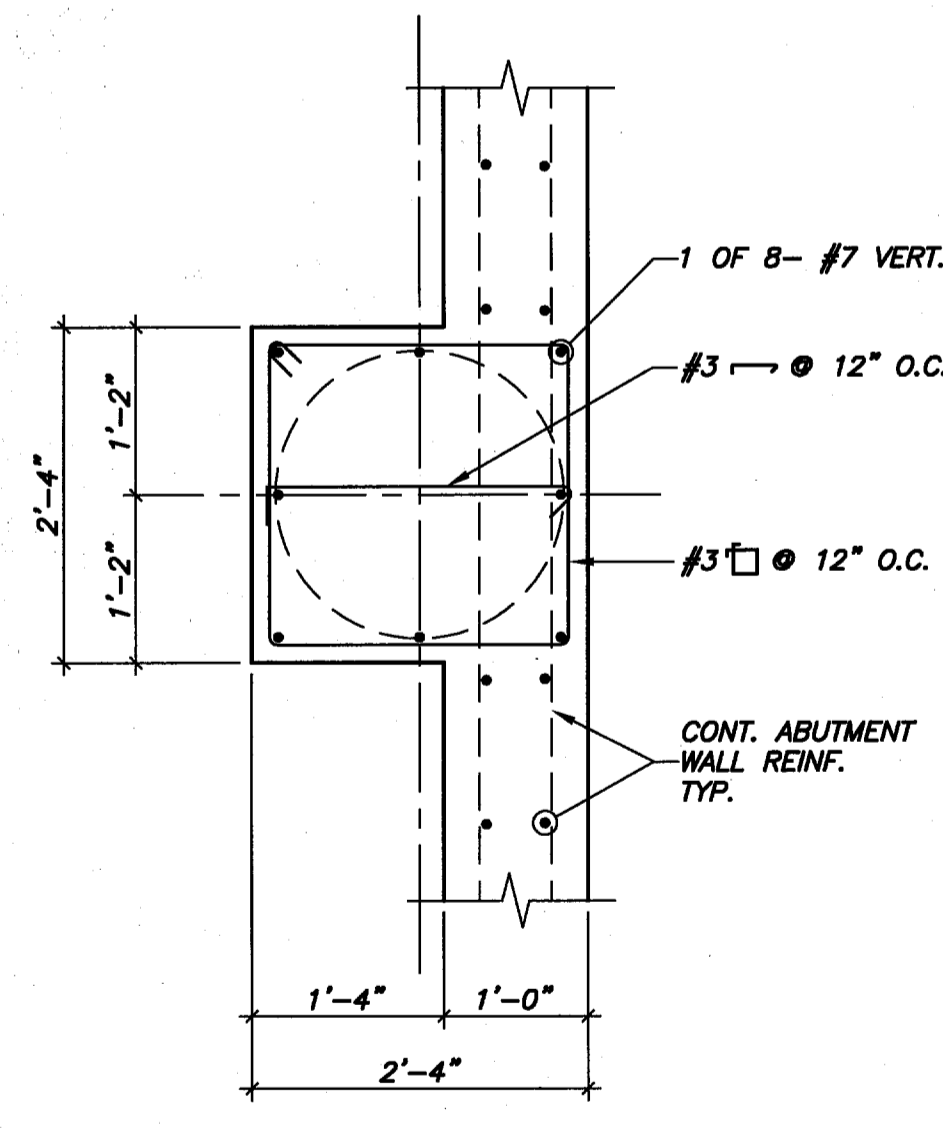
04 SOUTH ABUTMENT SECTION
1/2"=1'-0"



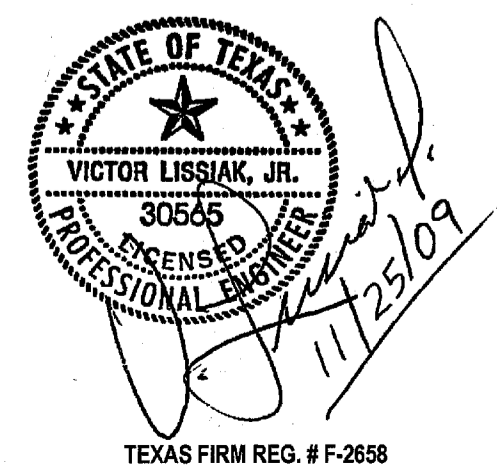
05 SOUTH ABUTMENT SECTION
1/2"=1'-0"



06 SECTION
N.T.S.



07 SECTION
N.T.S.



PRELIMINARY-FOR REVIEW ONLY		NO.	REVISION	BY	DATE
					01/25/09
TOWN OF ADDISON DALLAS COUNTY, TEXAS					
VITRUVIAN PARK BRIDGES BELLA LANE					
ABUTMENT SECTIONS & DETAILS					
VIEWTECH, INC.		4205 Beltway Dr. - Addison, Texas 75001 (972) 661-8187 Fax (972) 661-8172			
PROJECT	DESIGN	DRAWN	DATE	FILE	SHEET
2007.144	VL	NERF	NOV. 25 2009	-	SB306 B