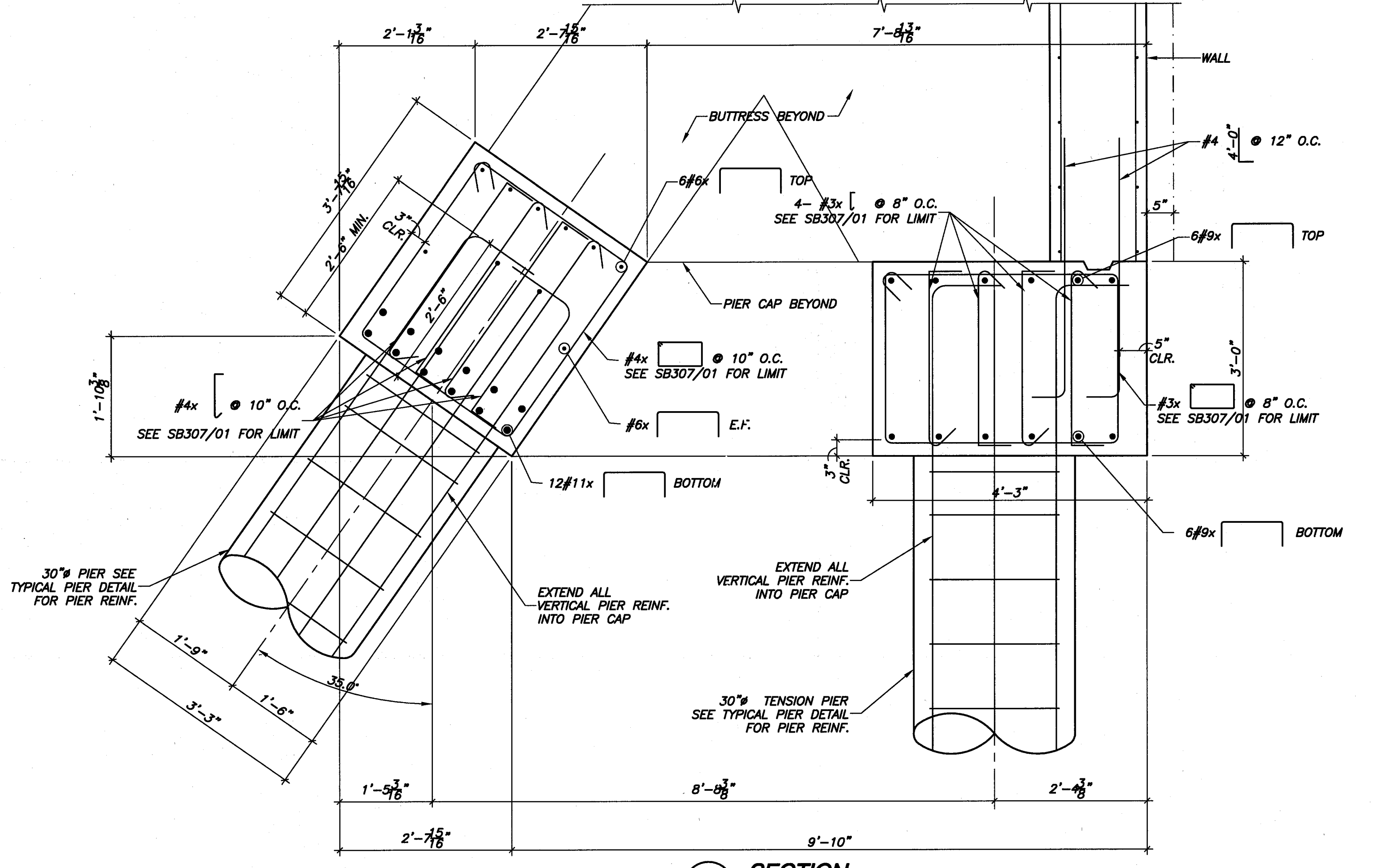
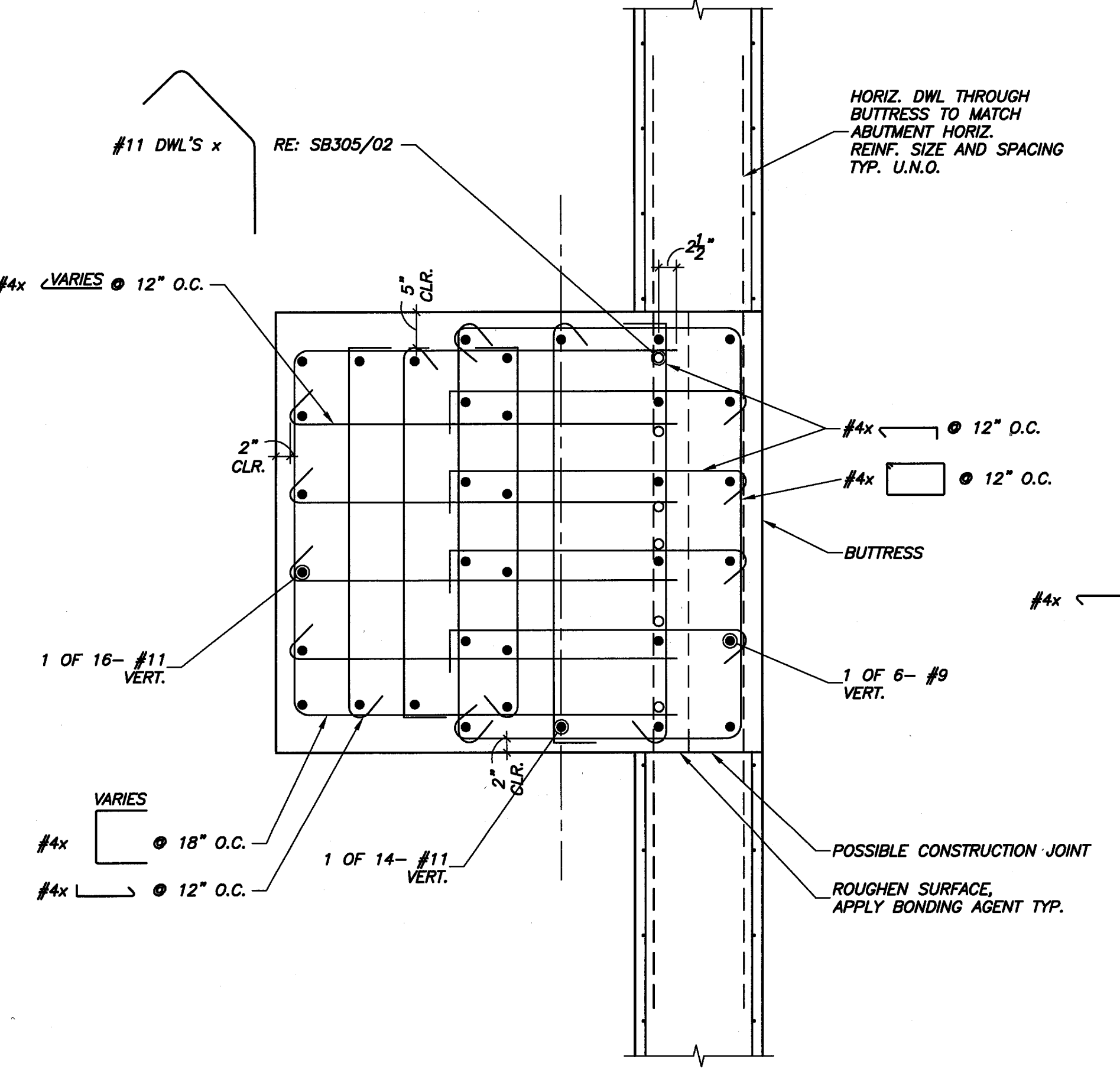


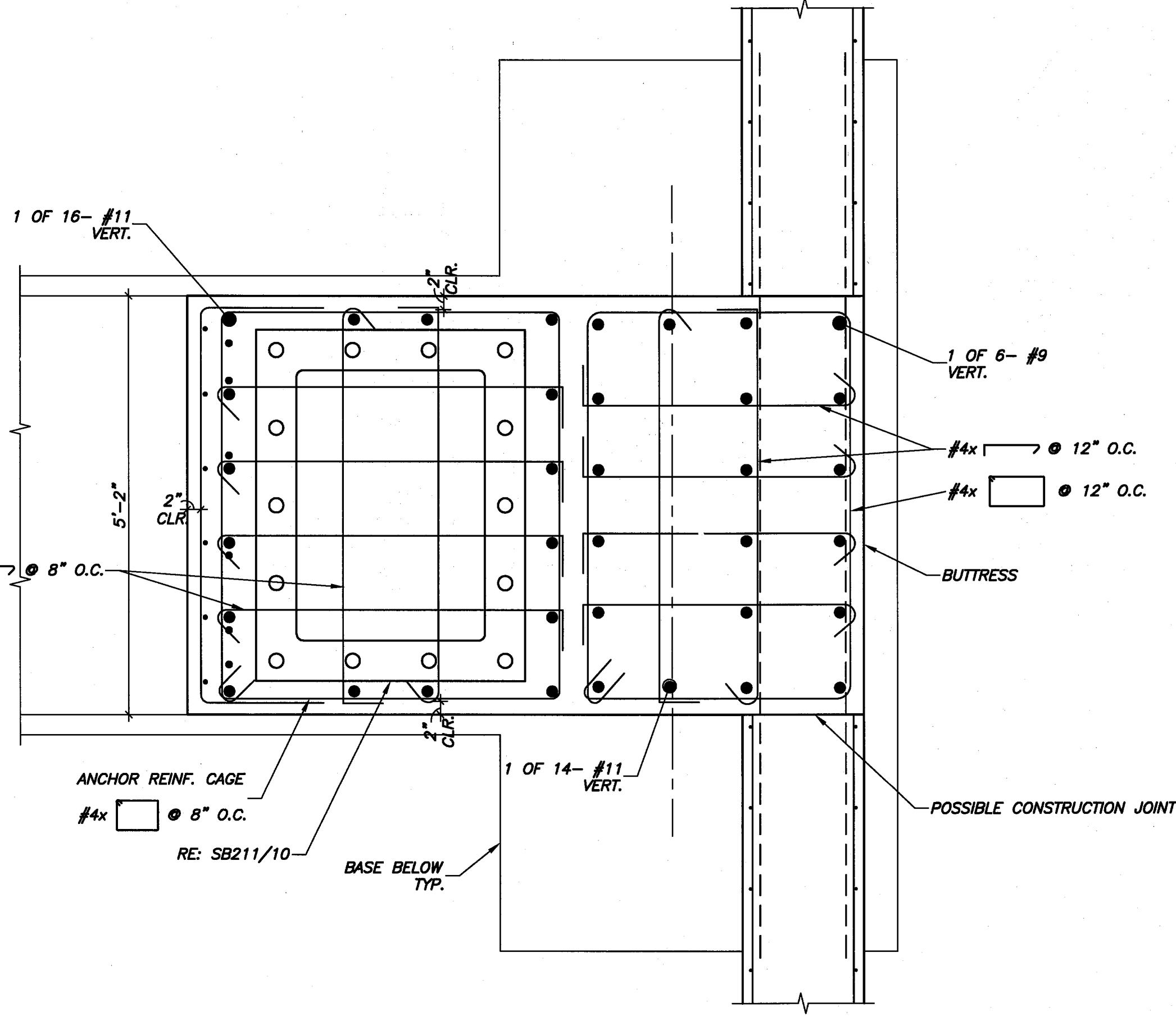
**01 SECTION**  
3/4"=1'-0"



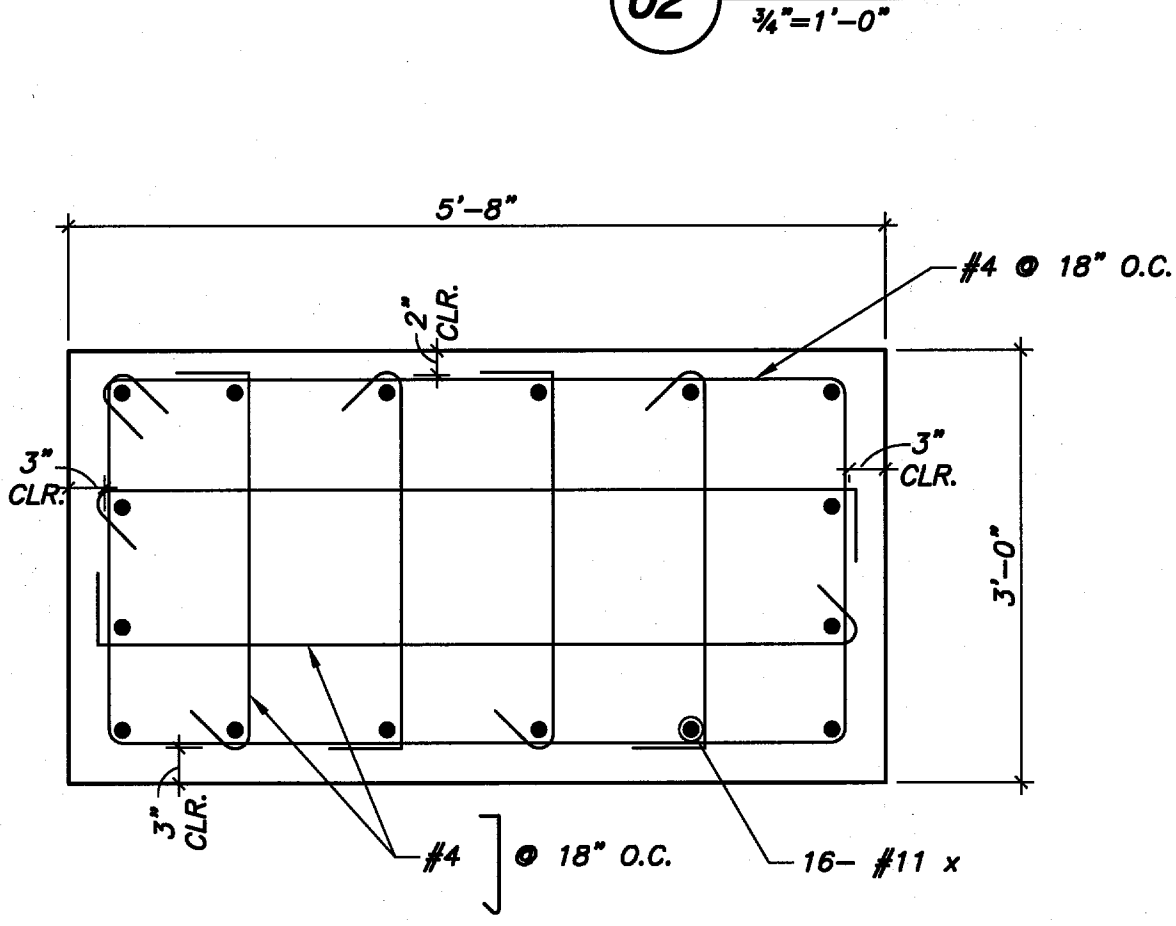
**02 SECTION**  
3/4"=1'-0"



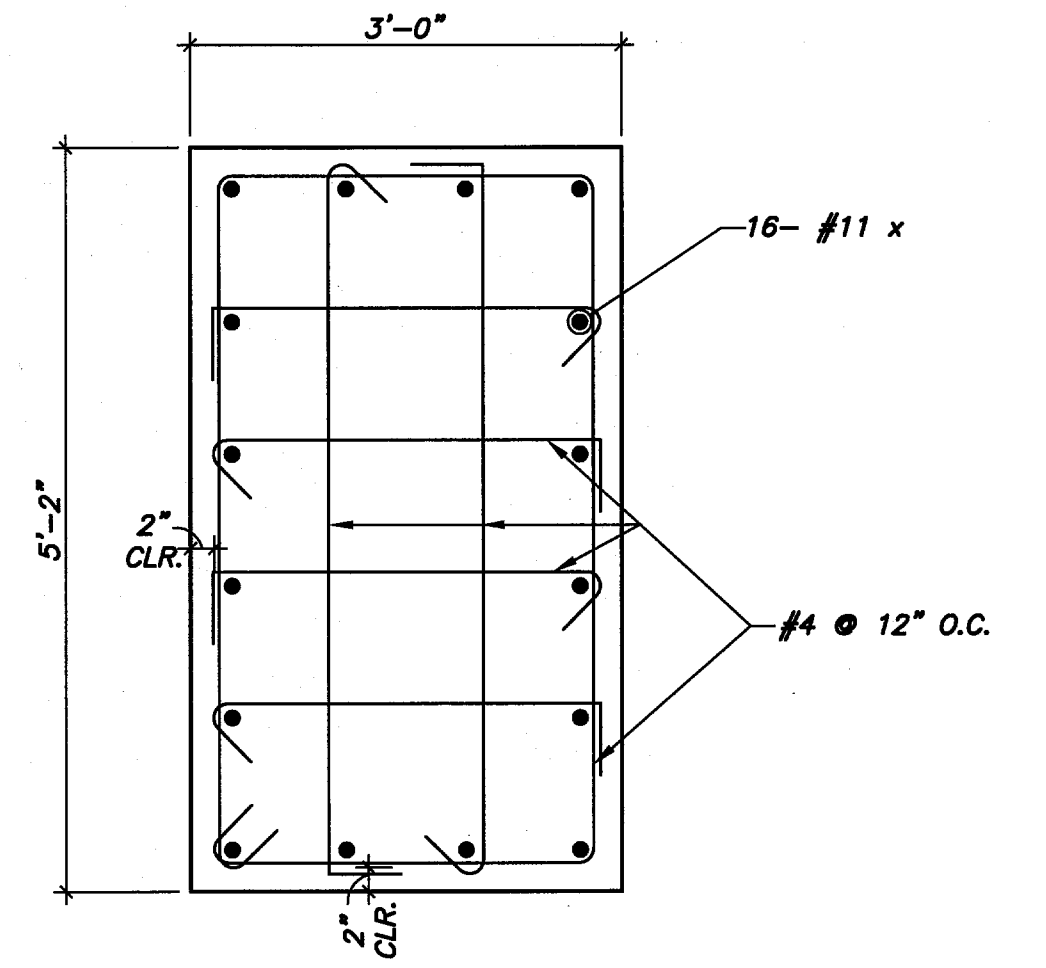
**03 SECTION**  
3/4"=1'-0"



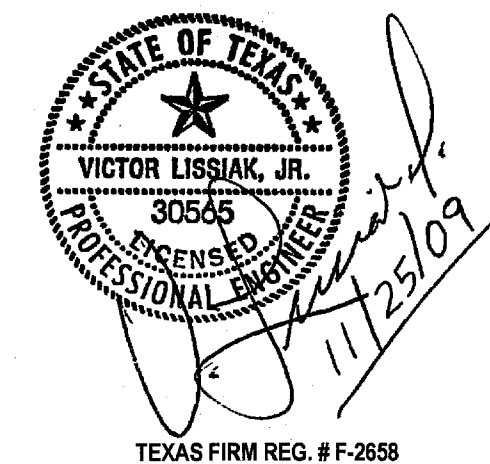
**04 SECTION**  
3/4"=1'-0"



**05 SECTION**  
3/4"=1'-0"



**06 SECTION**  
3/4"=1'-0"



PRELIMINARY-FOR REVIEW ONLY		01/25/09	
NO.	REVISION	BY	DATE
TOWN OF ADDISON DALLAS COUNTY, TEXAS			
VITRUVIAN PARK BRIDGES BELLA LANE			
<b>BUTTRESS SECTIONS &amp; DETAILS</b>			
<b>VIEWTECH, INC.</b>		4205 Beltway Dr. - Addison, Texas 75001	
Structural Engineers		(972) 661-8187 Fax (972) 661-8172	
PROJECT	DESIGN	DRAWN	DATE
2007.144	VL	NERF	NOV. 25 2009
FILE			SHEET
-			SB307

TEXAS FIRM REG. # F-2658