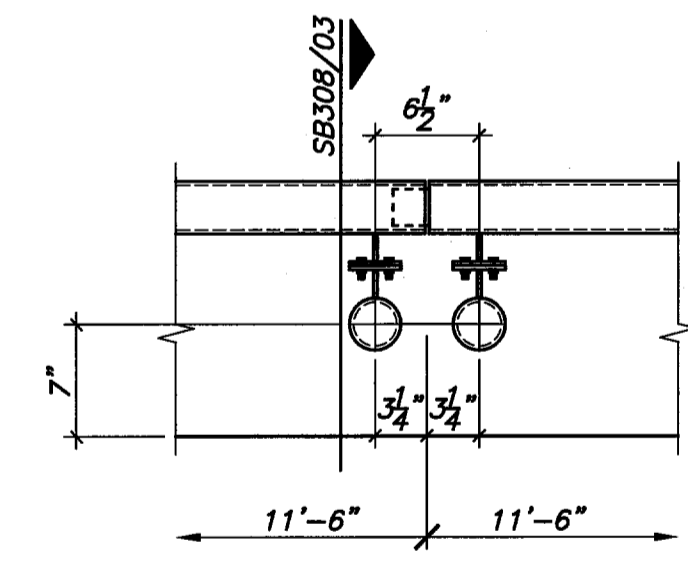
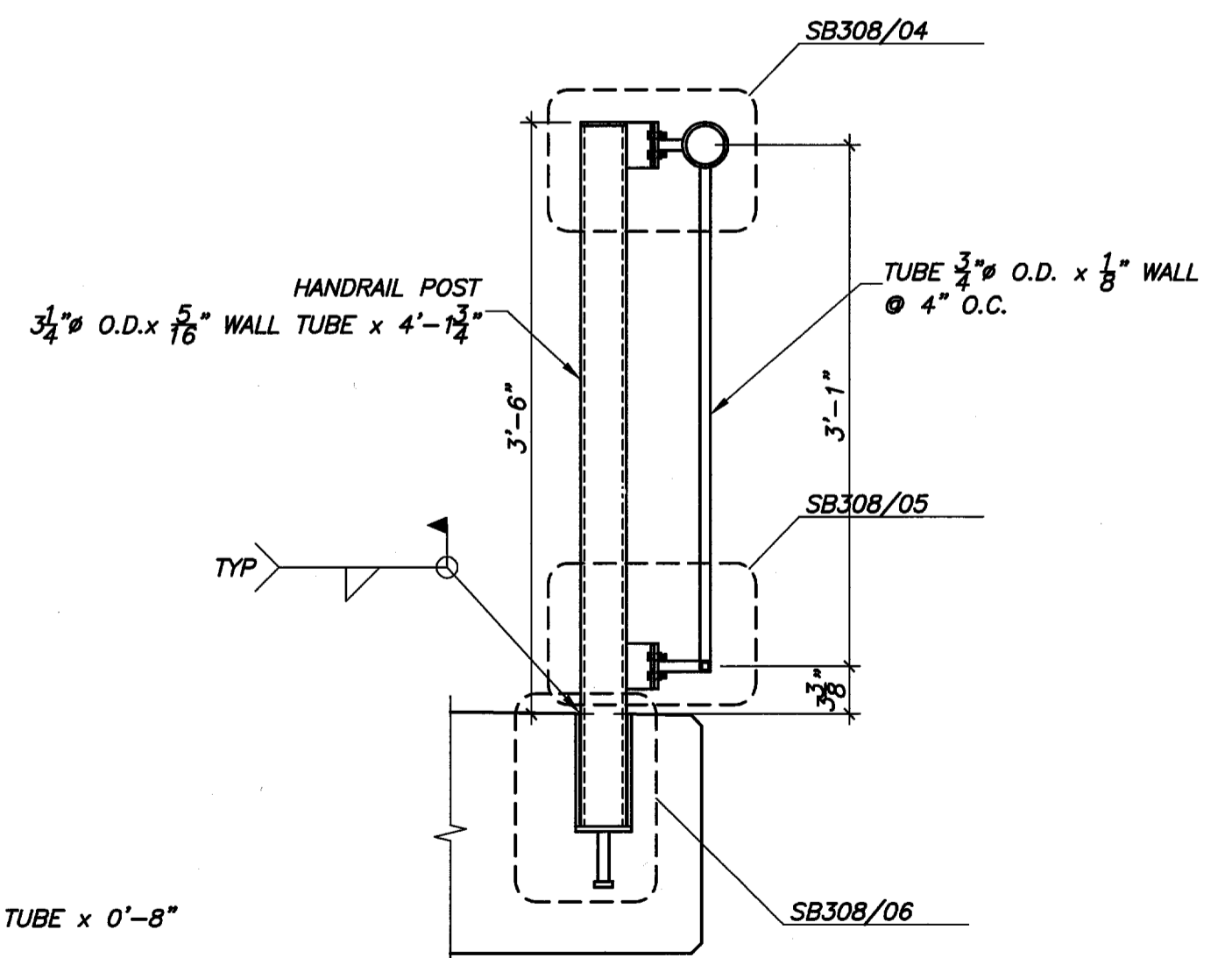


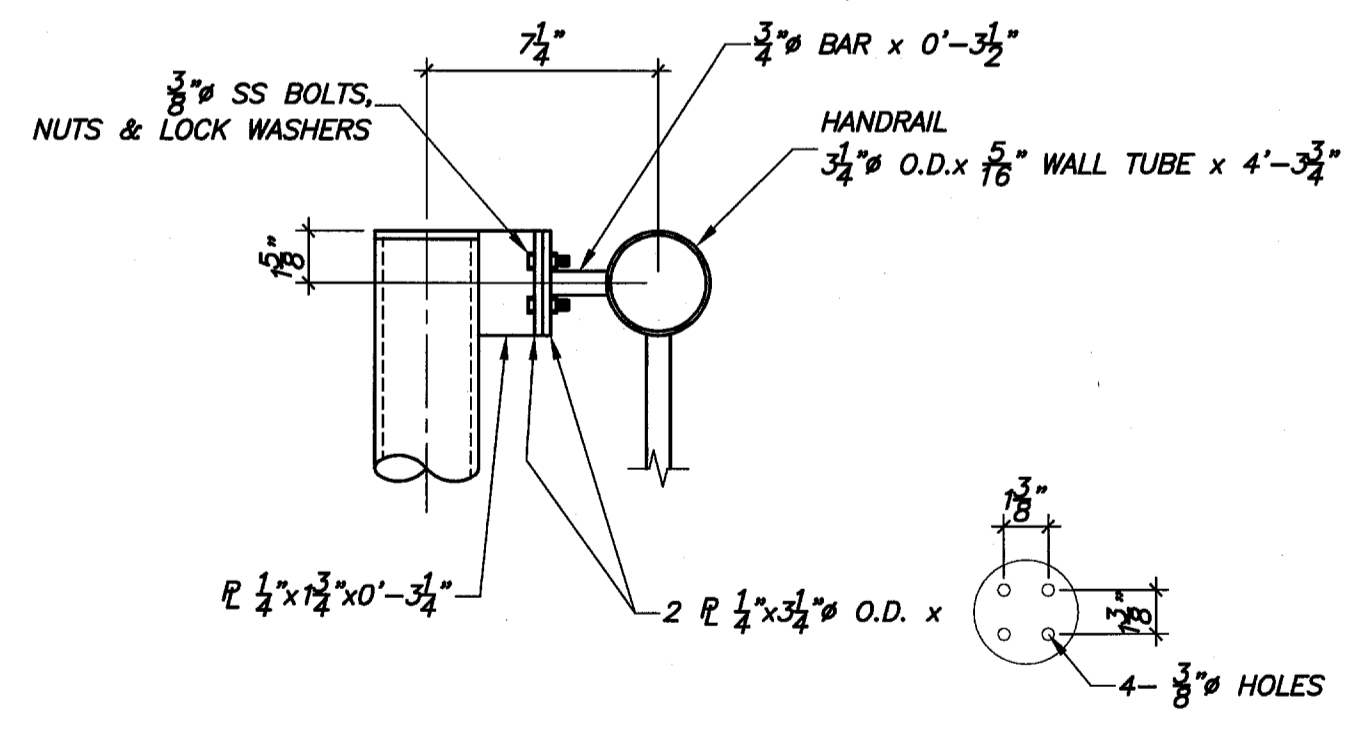
**01 HANDRAIL LAYOUT**  
1/8"=1'-0"  
NORTH



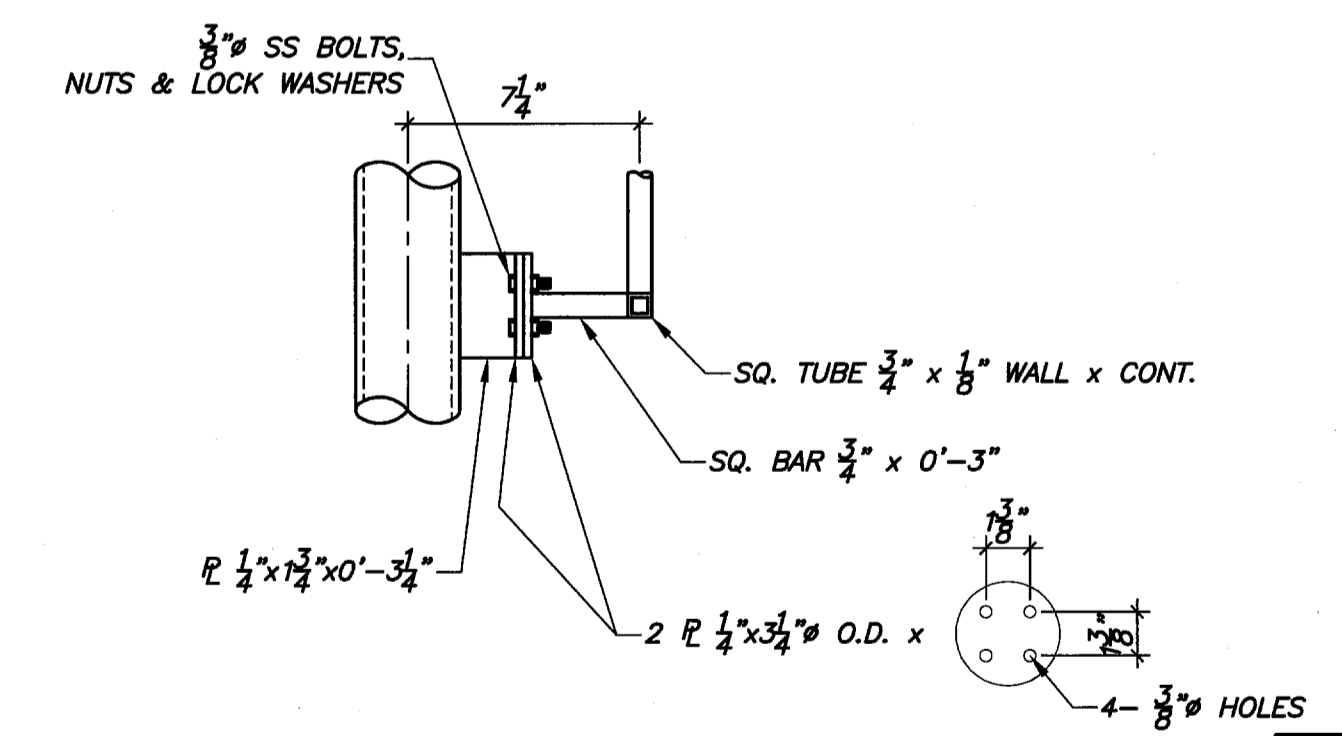
**02 PARTIAL PLAN DETAIL**  
1"=1'-0"



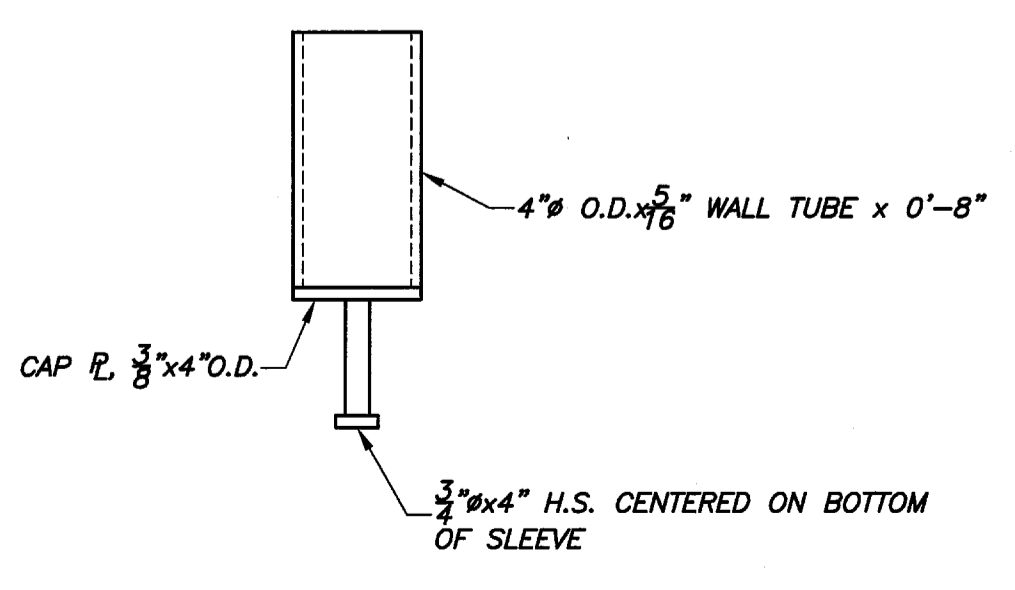
**03 SECTION**  
1"=1'-0"



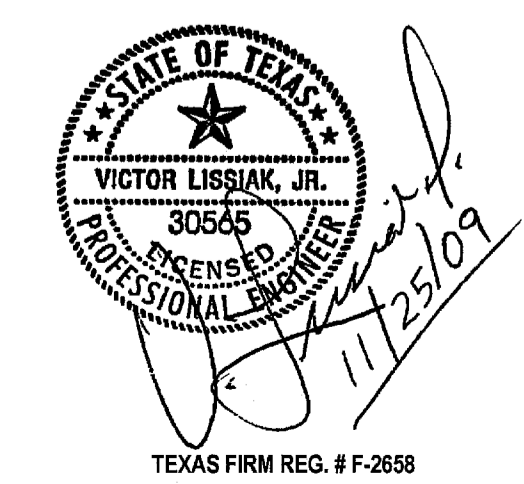
**04 DETAIL**  
N.T.S.



**05 DETAIL**  
N.T.S.



**06 DETAIL**  
N.T.S.



PRELIMINARY—FOR REVIEW ONLY		01/25/09
NO.	REVISION	BY DATE
<b>ADDISON TOWN OF ADDISON</b> DALLAS COUNTY, TEXAS <b>VITRUVIAN PARK BRIDGES</b> BELLA LANE <b>HANDRAIL LAYOUT &amp; DETAILS</b> <b>VIEWTECH, INC.</b> 4205 Beltway Dr. - Addison, Texas 75001 Structural Engineers (972) 661-8187 Fax (972) 661-8172		
PROJECT	DESIGN	DATE
2007.144	VL	NOV. 25 2009
DRAWN	FILE	SHEET
NERF	-	SB308