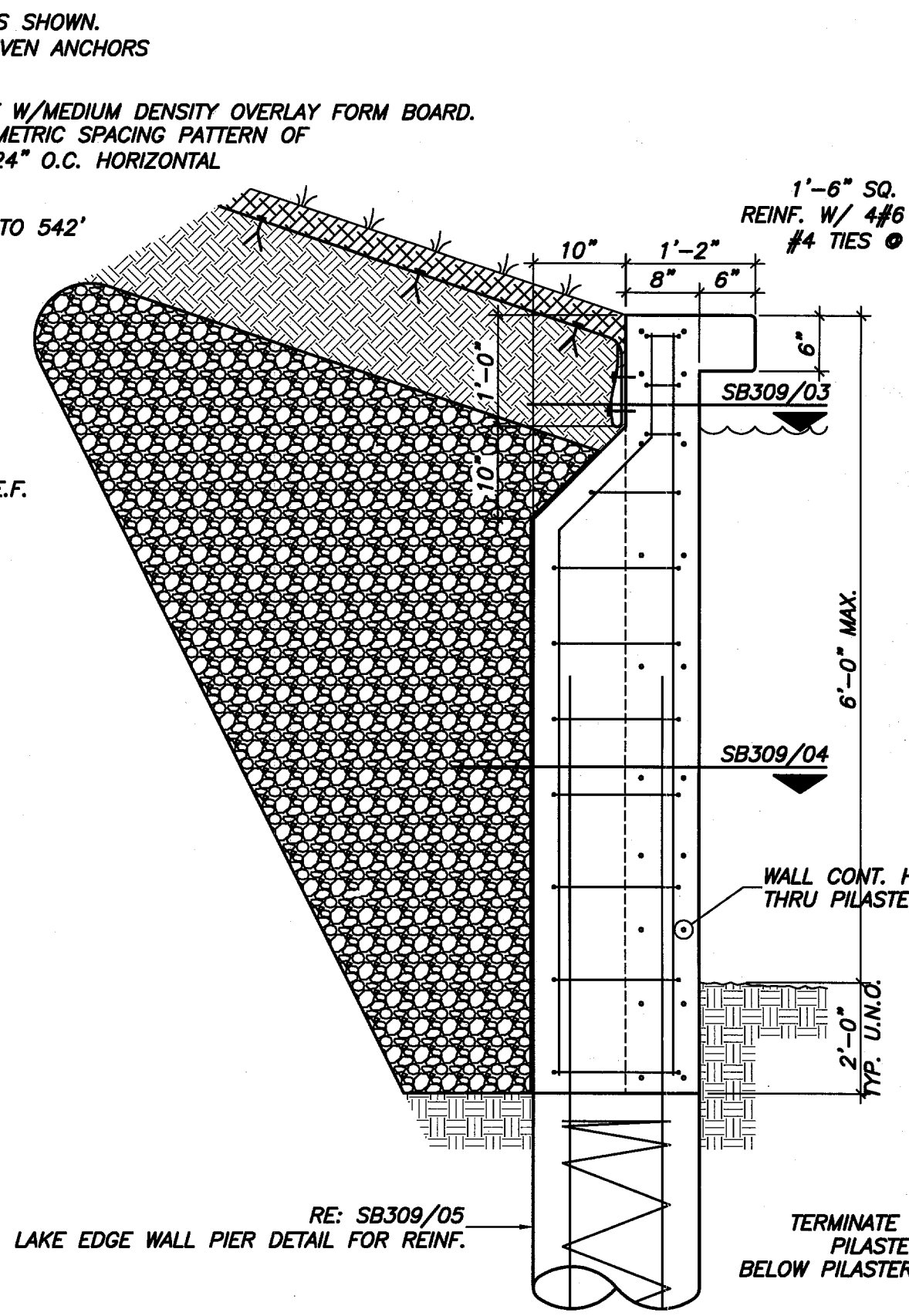
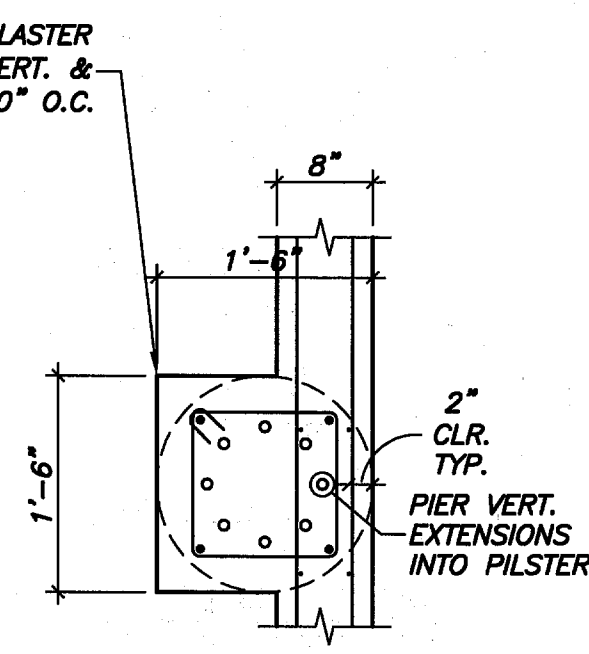


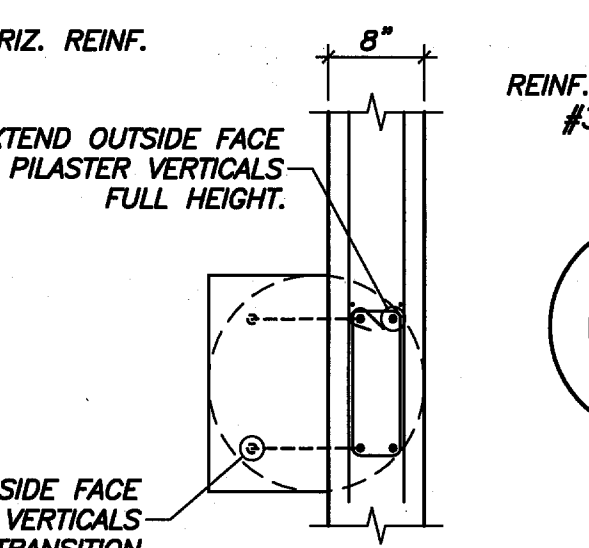
01 SECTION
3/4"=1'-0"



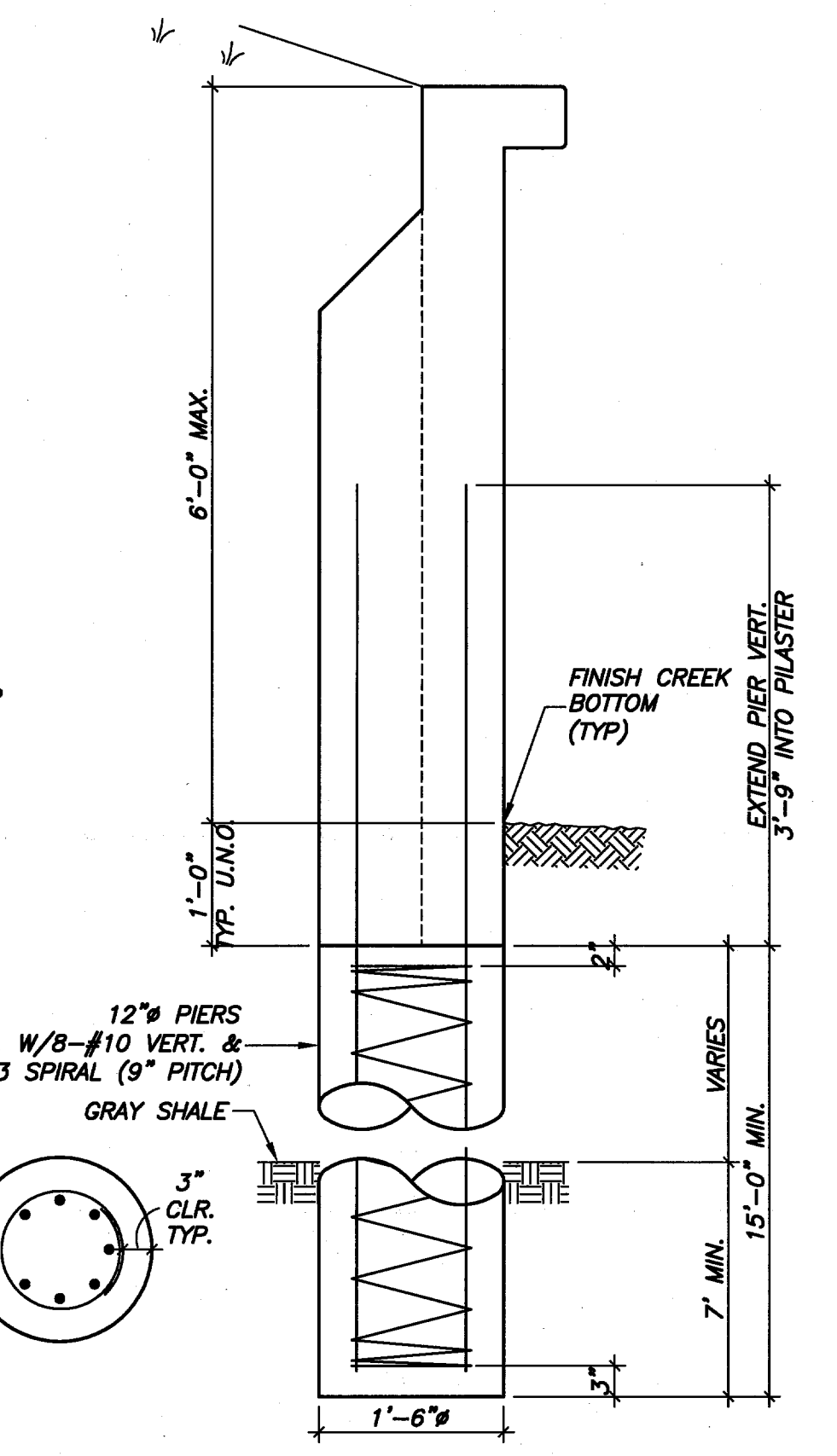
02 SECTION
3/4"=1'-0"



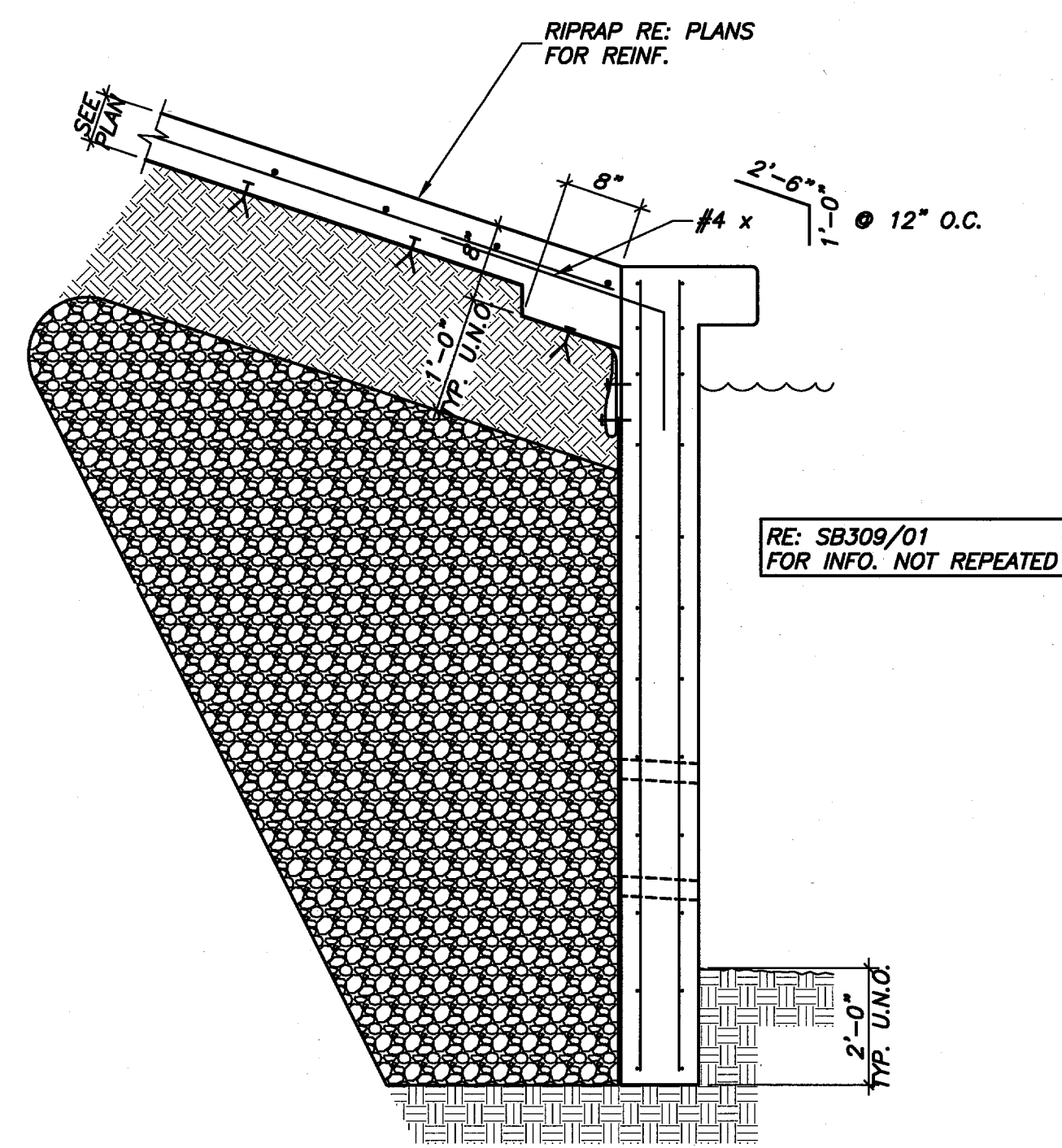
03 SECTION
3/4"=1'-0"



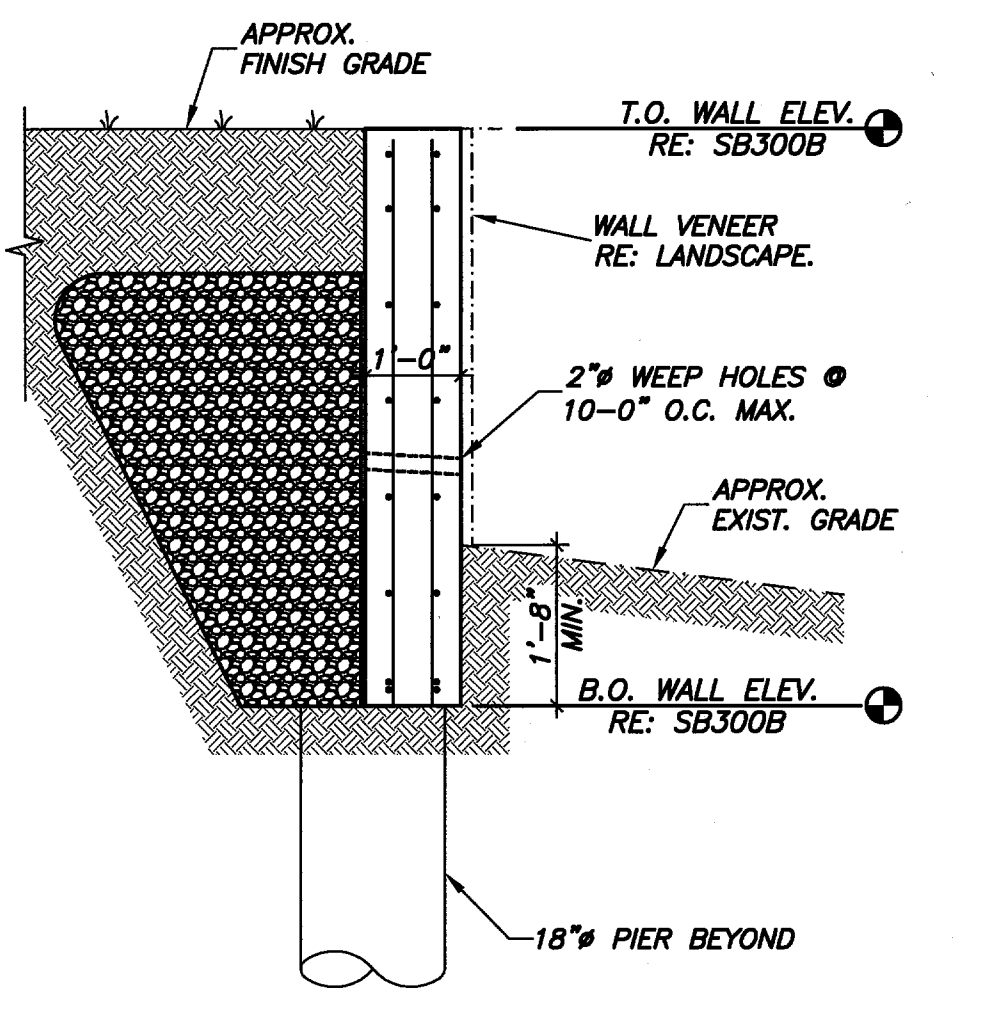
04 SECTION



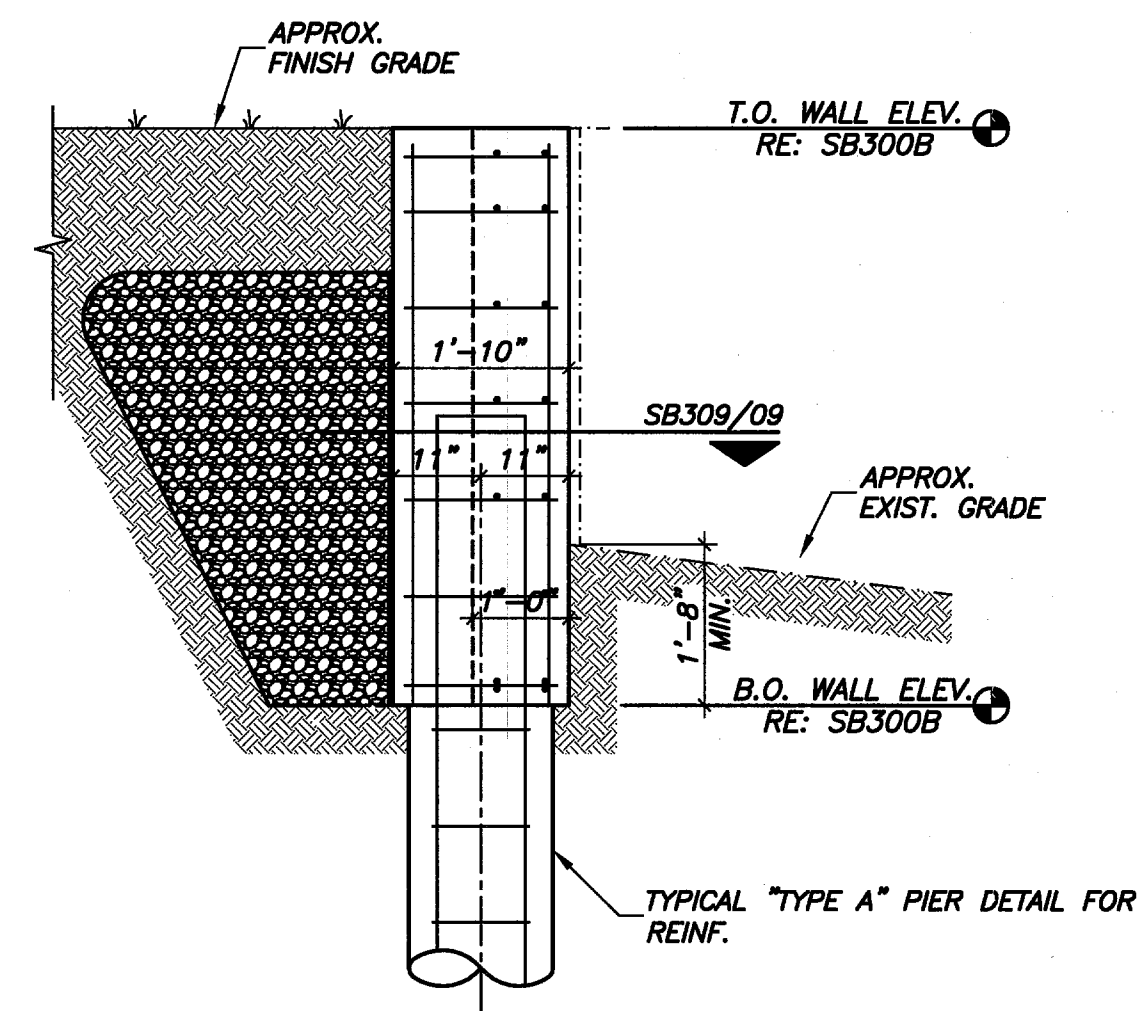
05 SECTION
3/4"=1'-0"



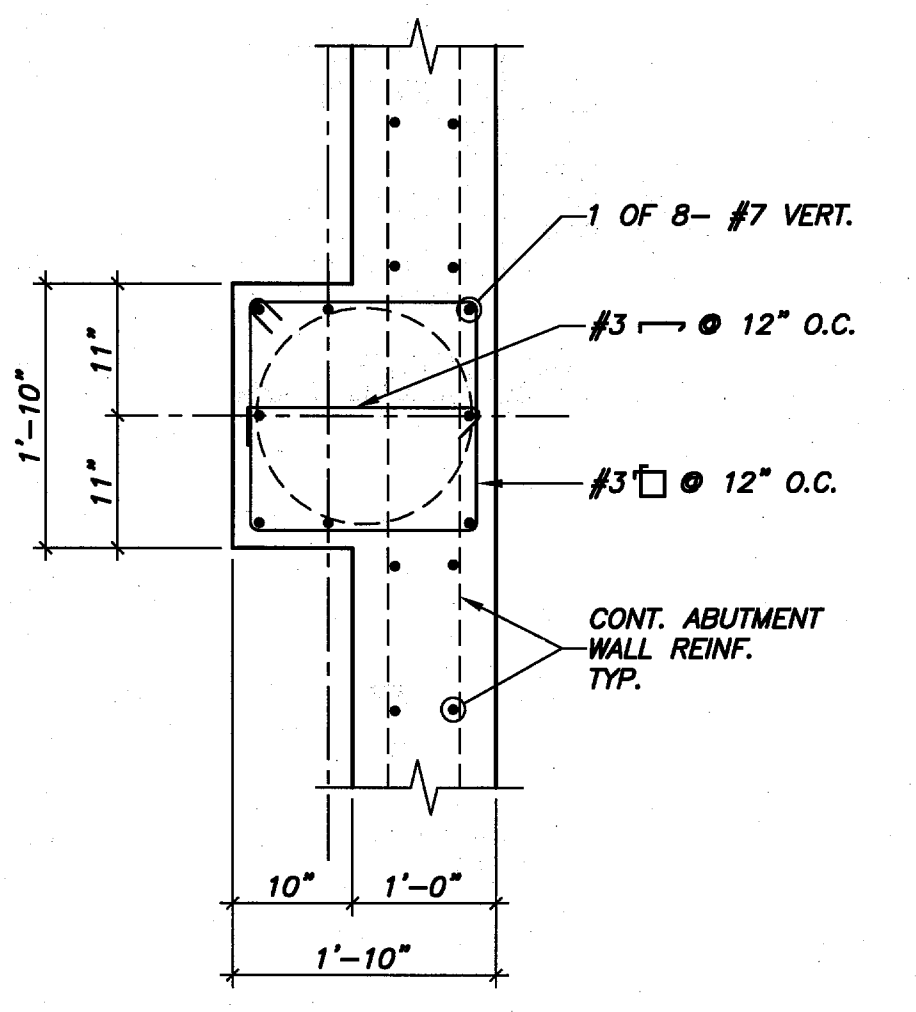
06 SECTION
3/4"=1'-0"



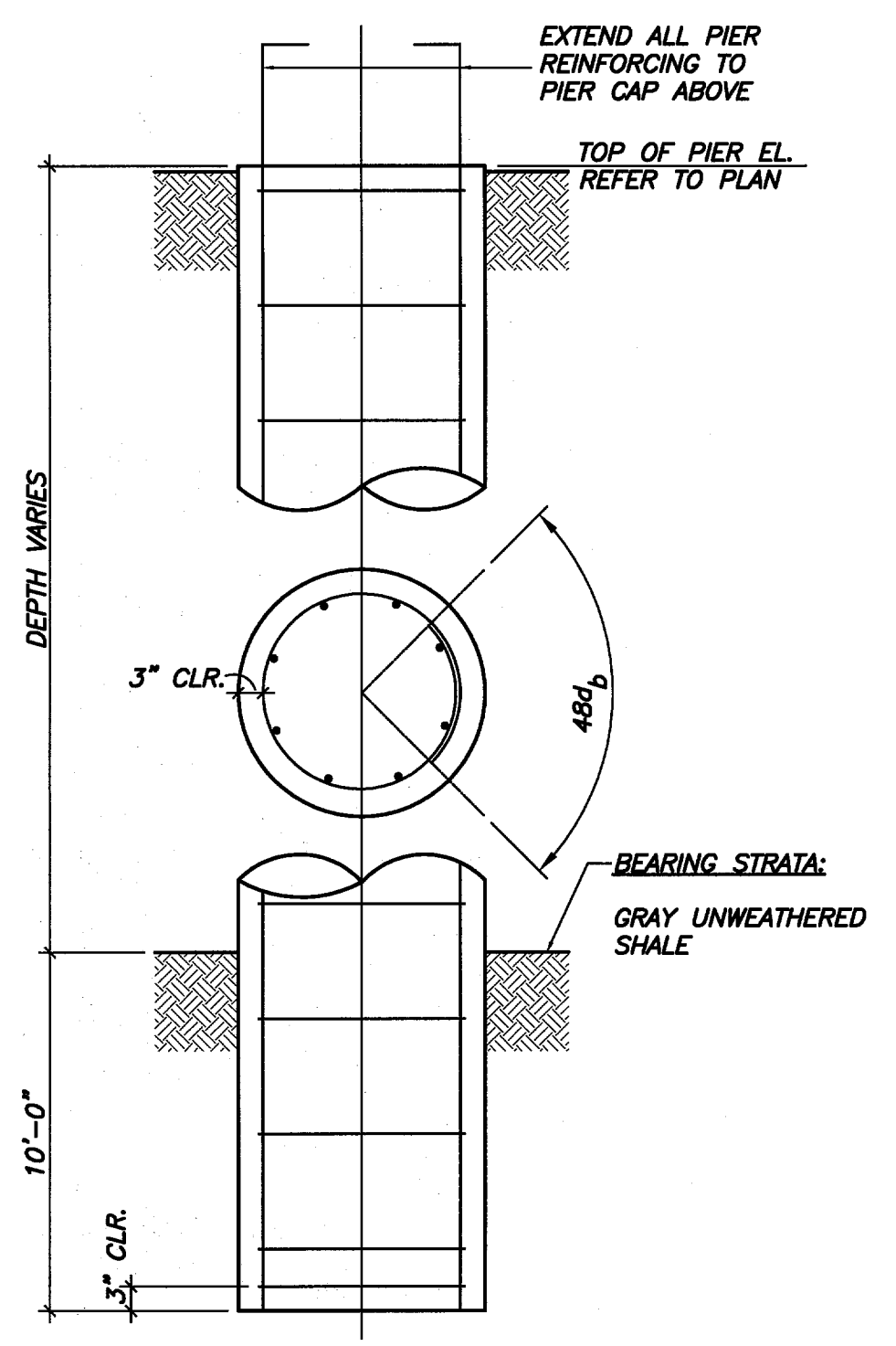
07 SECTION
1/2"=1'-0"



08 SECTION
1/2"=1'-0"

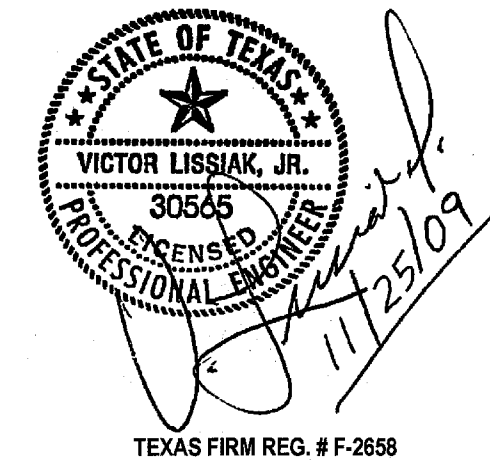


09 SECTION
N.T.S.



'A' SECTION
N.T.S.

TYPICAL PIER REINFORCING:
18" PIER SHAFT - TYPICAL
6- #6 VERTICAL Fc' = 4000 PSI
TIES:
#3 @ 10" O.C.



PRELIMINARY-FOR REVIEW ONLY		01/25/09	
NO.	REVISION	BY	DATE
TOWN OF ADDISON DALLAS COUNTY, TEXAS			
VITRUVIAN PARK BRIDGES BELLA LANE			
SECTIONS & DETAILS			
VIEWTECH, INC. Structural Engineers		4205 Beltway Dr. - Addison, Texas 75001 (972) 661-8187 Fax (972) 661-8172	
PROJECT	DESIGN	DRAWN	DATE
2007.144	VL	NERF	NOV. 25 2009
FILE			SHEET
-			SB309

TEXAS FIRM REG. # F-2658