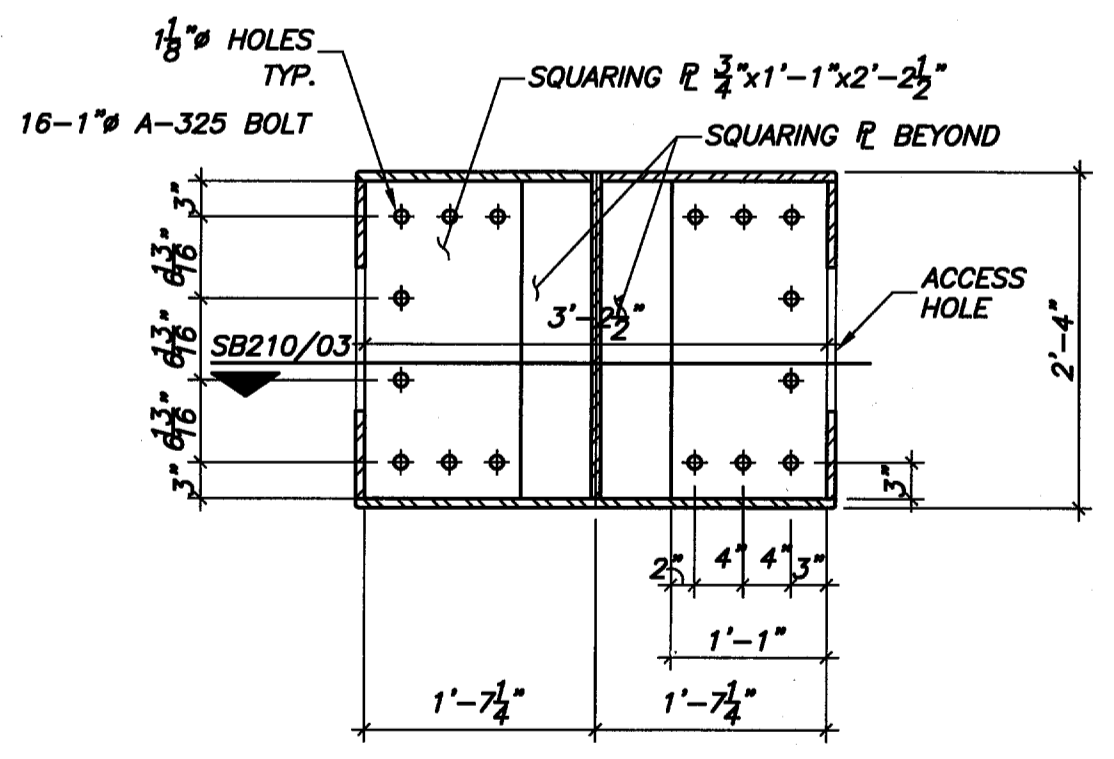


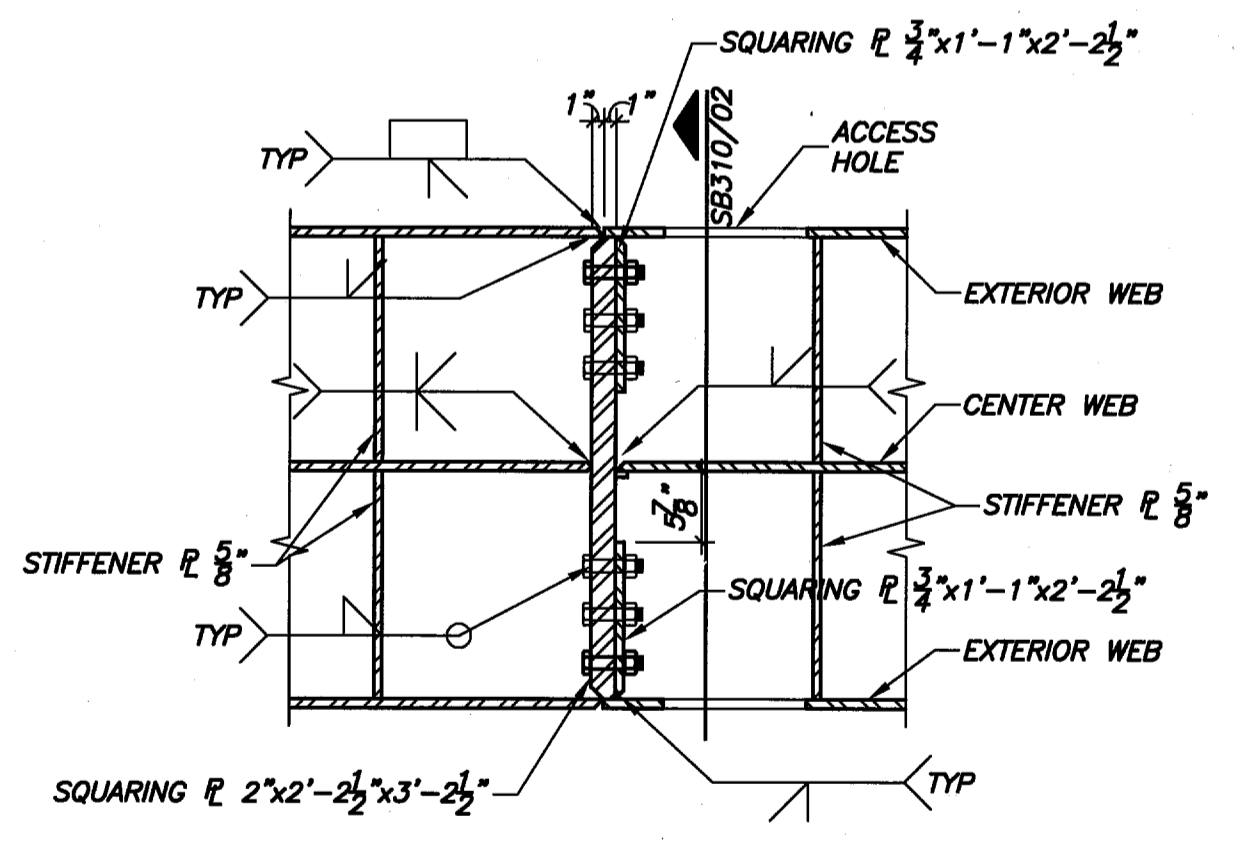
- NOTE:**
1. GEOMETRY SHOWN IS THAT REQUIRED FOR FABRICATION AND DOES NOT REPRESENT CHANGES IN SHAPE THAT WILL OCCUR FROM LOADING.
 2. PLACEMENT OF STEEL ARCH ON LOOSE SHAPED BASE PLATE AS SHOWN ASSUMES ADJUSTMENTS OF POSITIONS OF BASE PLATES THROUGH DOUBLE NUT LEVELING TO ACCOMMODATE FABRICATED FIELD LENGTH OF ARC.

01 STEEL ARCH RIB PROFILE
3/4"=1'-0"

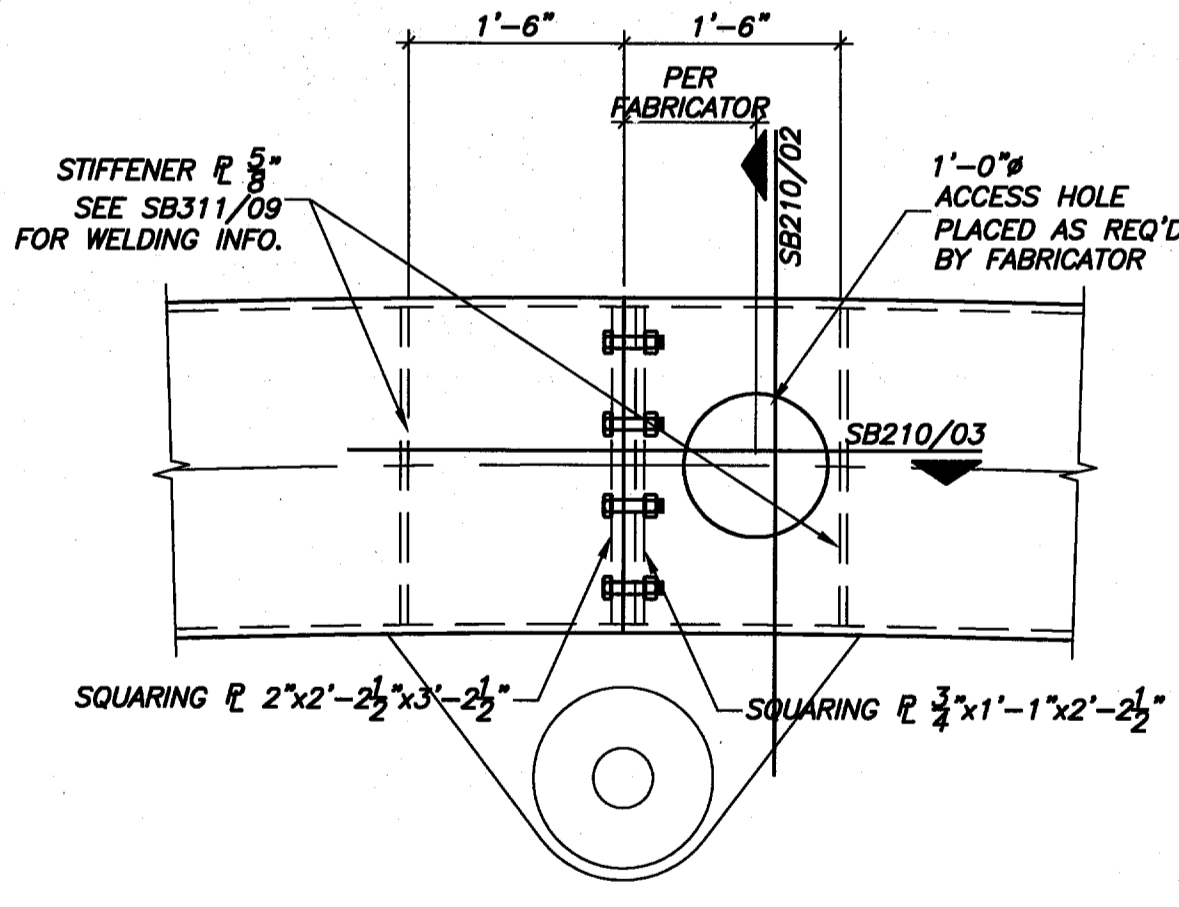
TABLE OF ESTIMATED QUANTITIES	
	PER ARCH
TONS OF STRUCTURAL STEEL	50



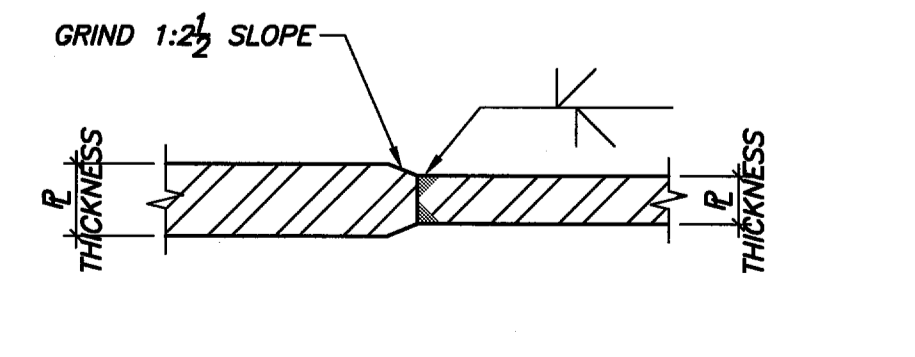
02 SECTION
3/4"=1'-0"



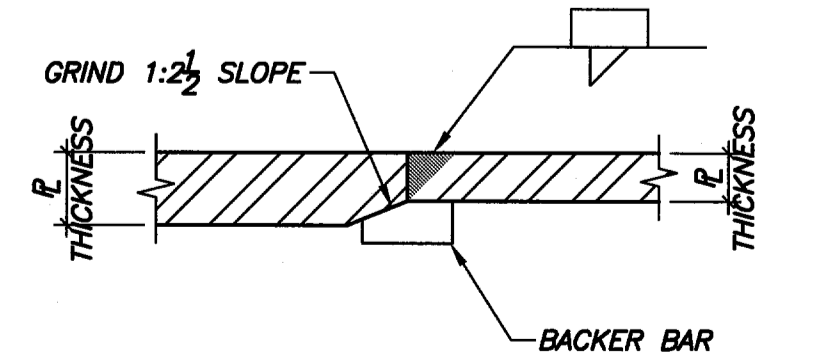
03 FIELD SPLICE DETAIL PARTIAL PLAN VIEW
3/4"=1'-0"



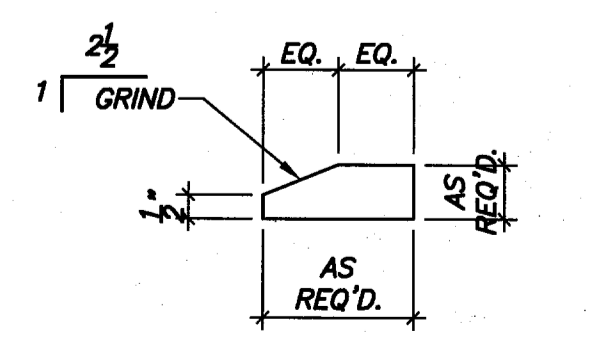
04 FIELD SPLICE DETAIL ELEVATION VIEW
3/4"=1'-0"



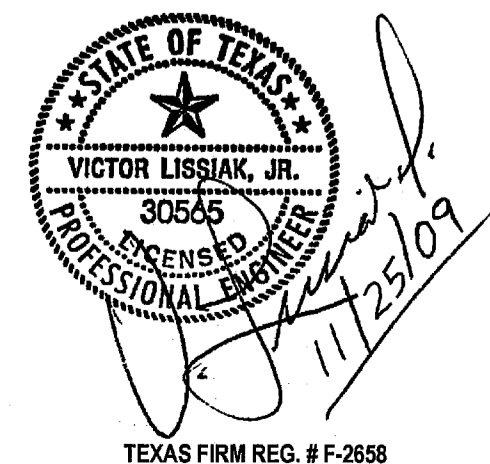
05 TYPICAL CENTER WEB SHOP SPLICE DETAIL AT TRANSITION
3"=1'-0"



06 TYPICAL SHOP SPLICE DETAIL AT TRANSITION
3"=1'-0"



07 BACKER BAR DETAIL
N.T.S.



PRELIMINARY-FOR REVIEW ONLY					01/25/09
NO.	REVISION	BY	DATE		
TOWN OF ADDISON DALLAS COUNTY, TEXAS					
VITRUVIAN PARK BRIDGES BELLA LANE					
STEEL ARCH RIB PROFILE					
VIEWTECH, INC. Structural Engineers					
4205 Beltway Dr. - Addison, Texas 75001 (972) 661-8187 Fax (972) 661-8172					
PROJECT	DESIGN	DRAWN	DATE	FILE	SHEET
2007.144	VL	NERF	NOV. 25 2009	-	SB310