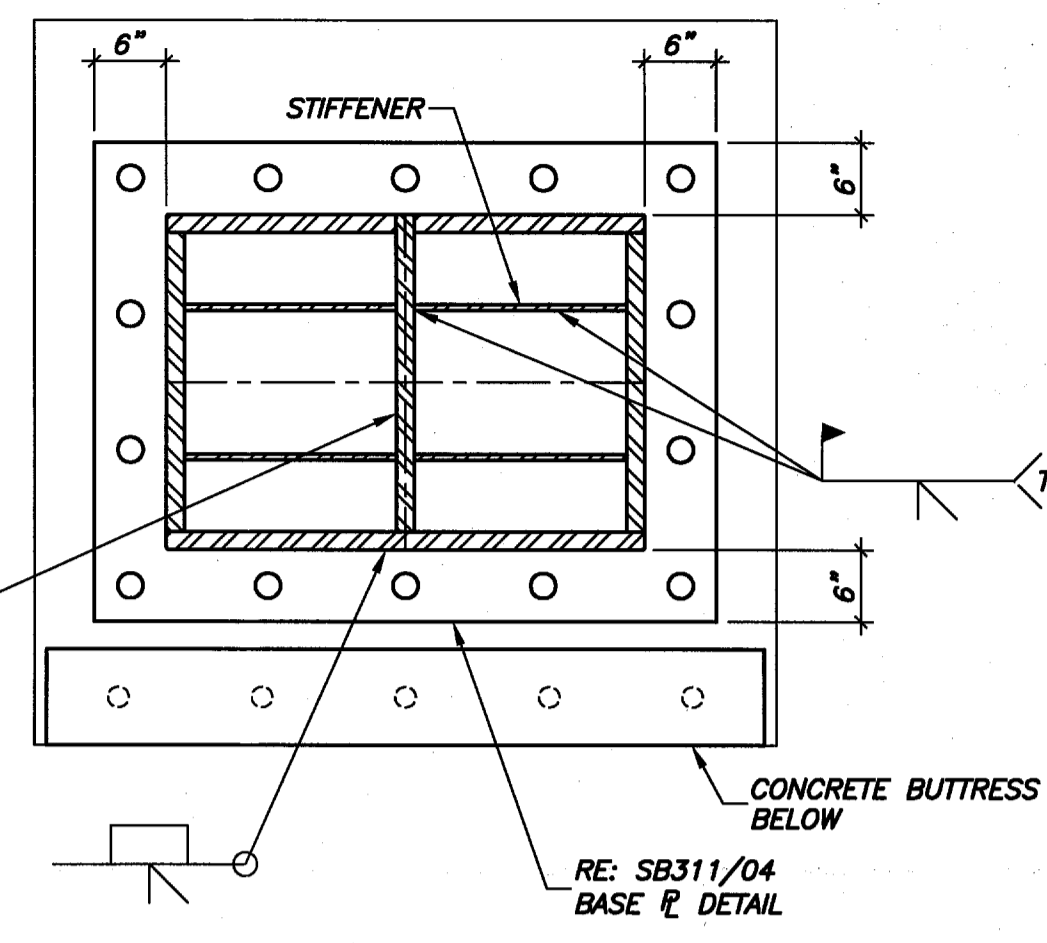
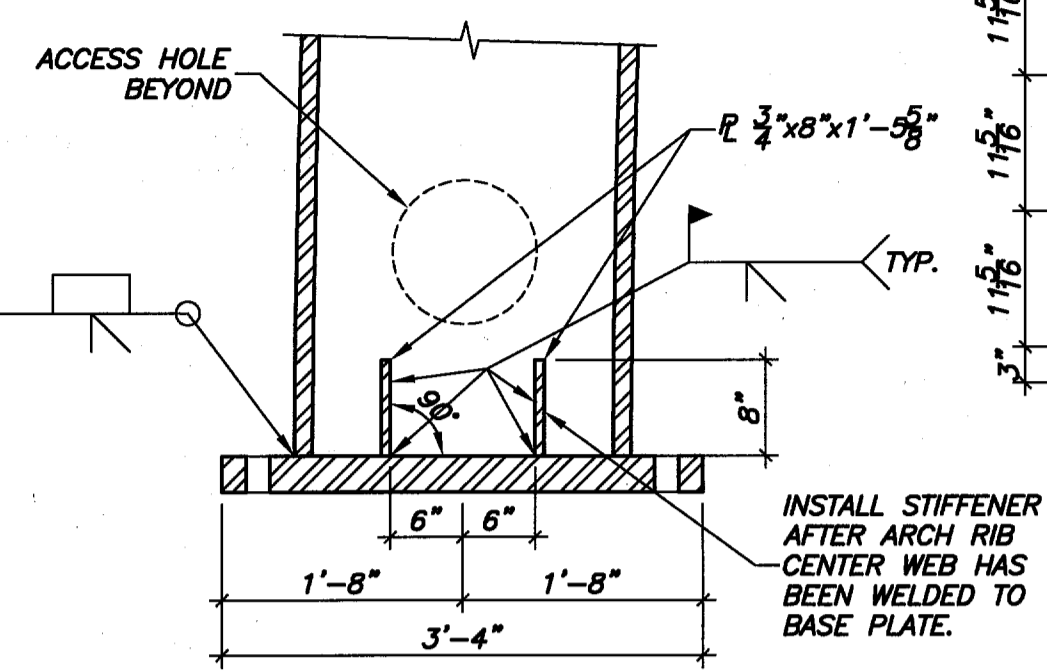


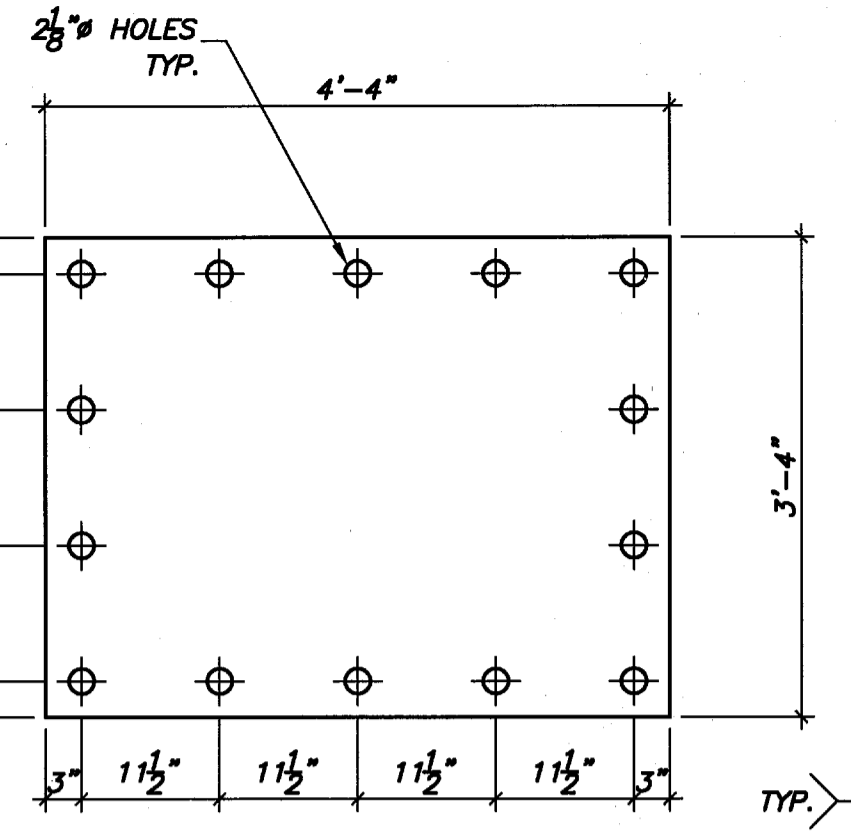
**01 DETAIL**  
3/4"=1'-0"



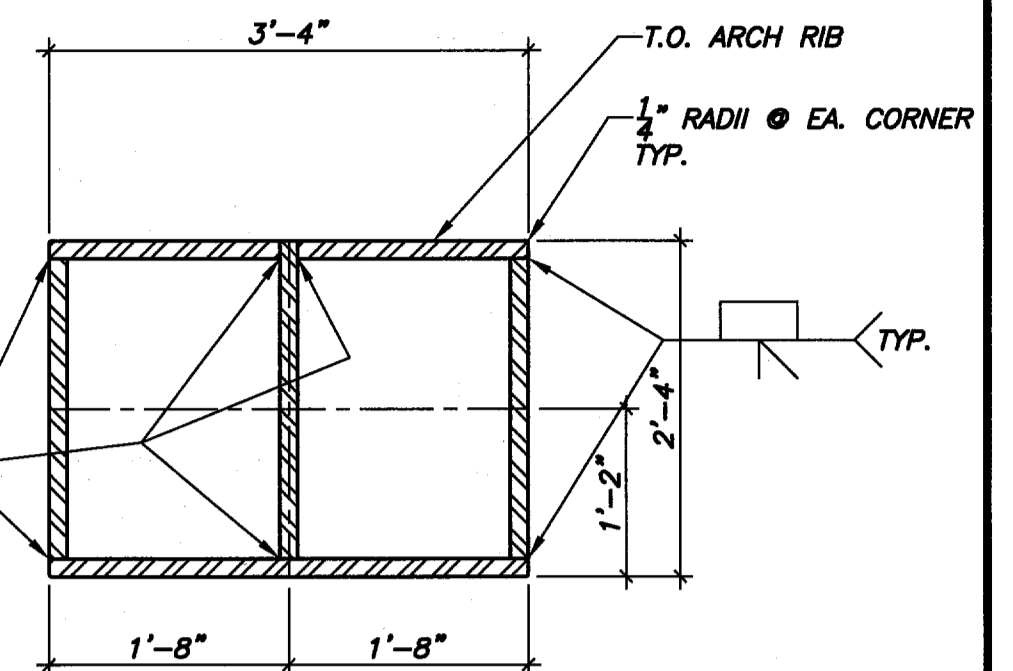
**02 DETAIL**  
3/4"=1'-0"



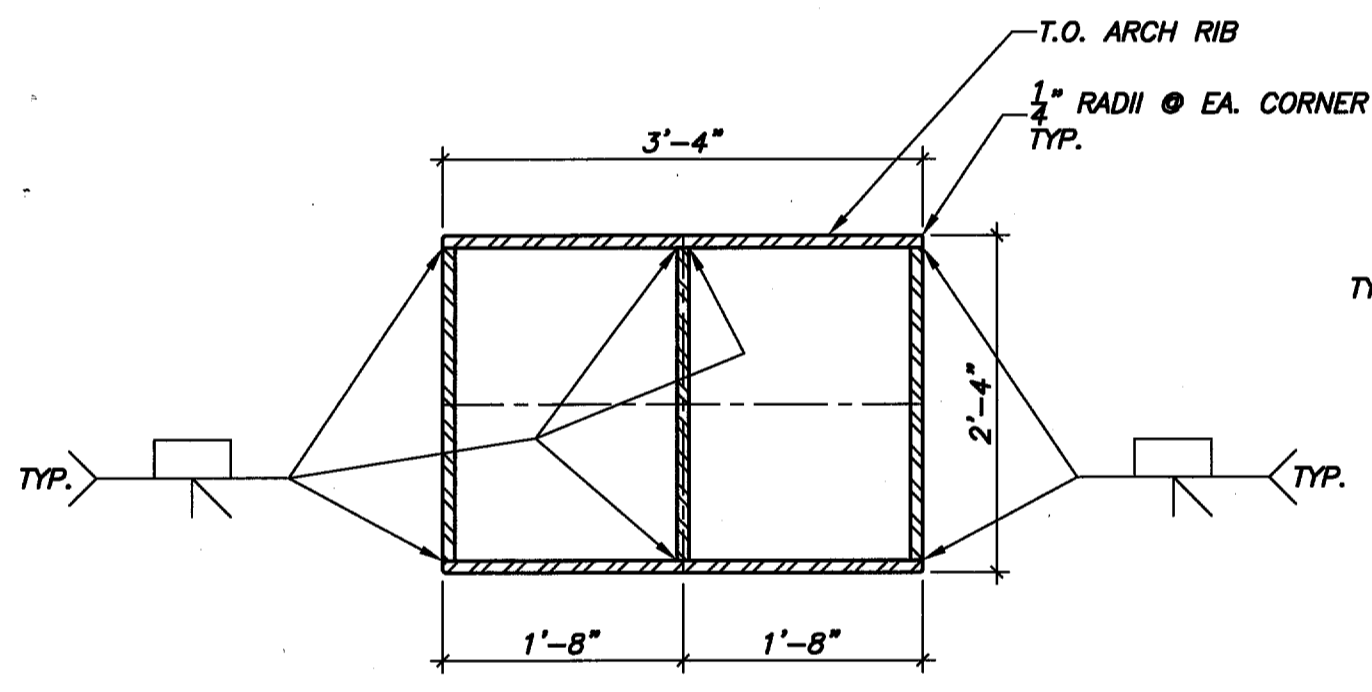
**03 SECTION**  
3/4"=1'-0"



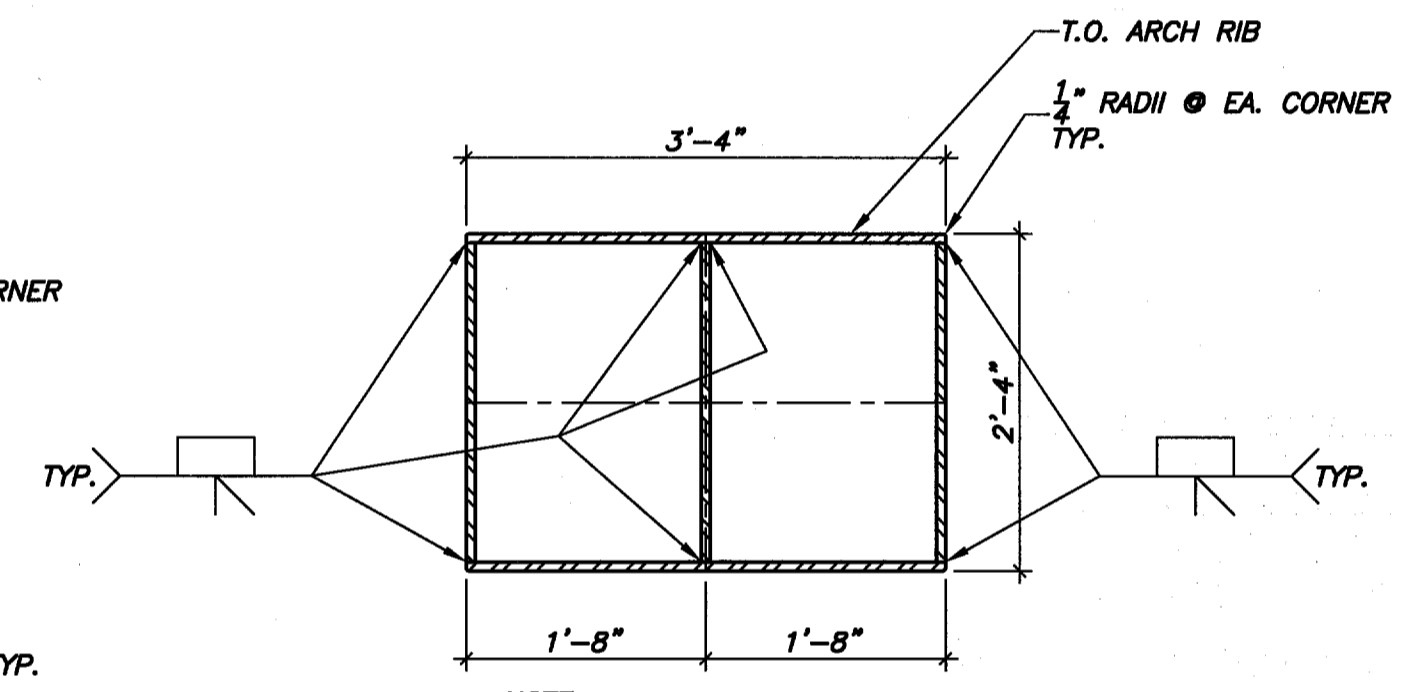
**04 BASE PLATE DETAIL**  
3/4"=1'-0"



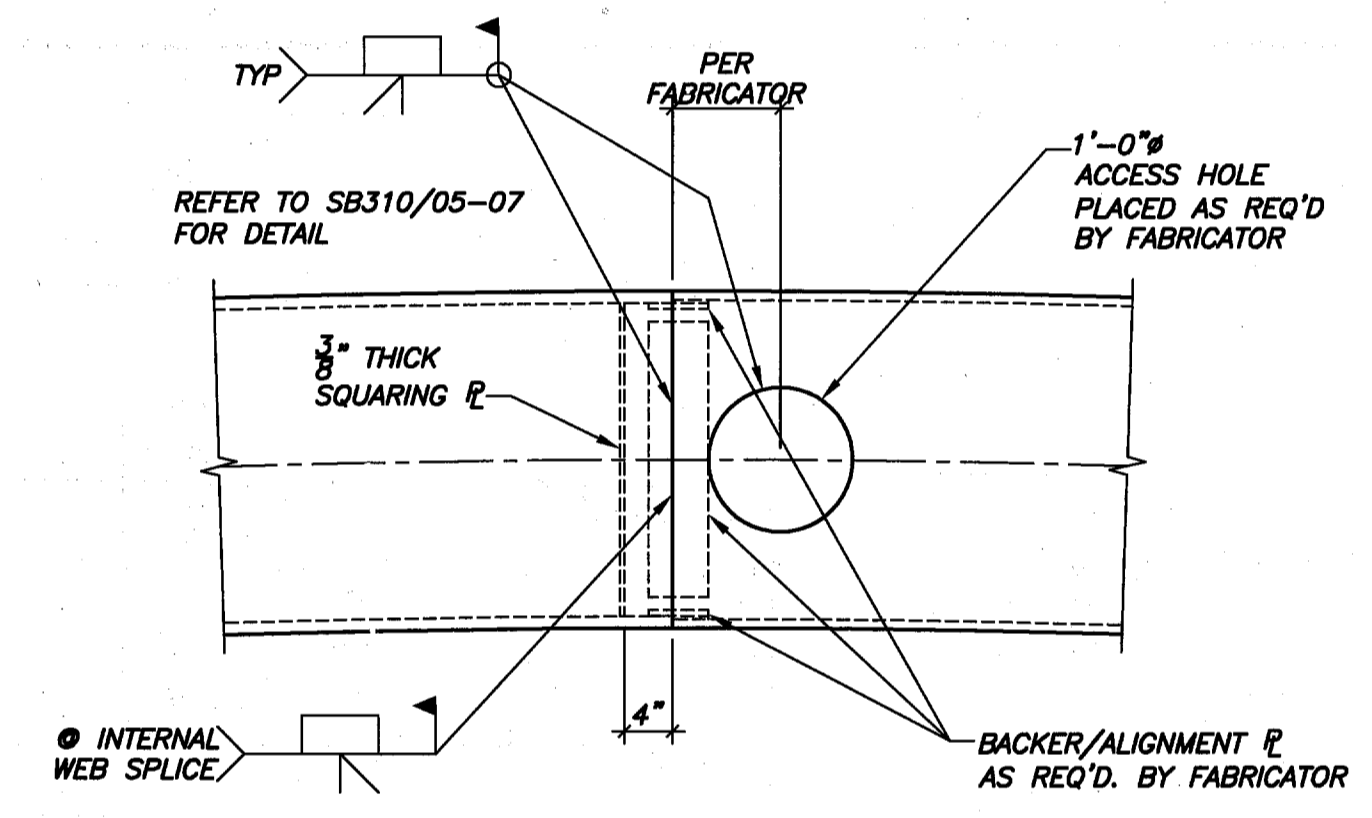
**05 SECTION**  
3/4"=1'-0"



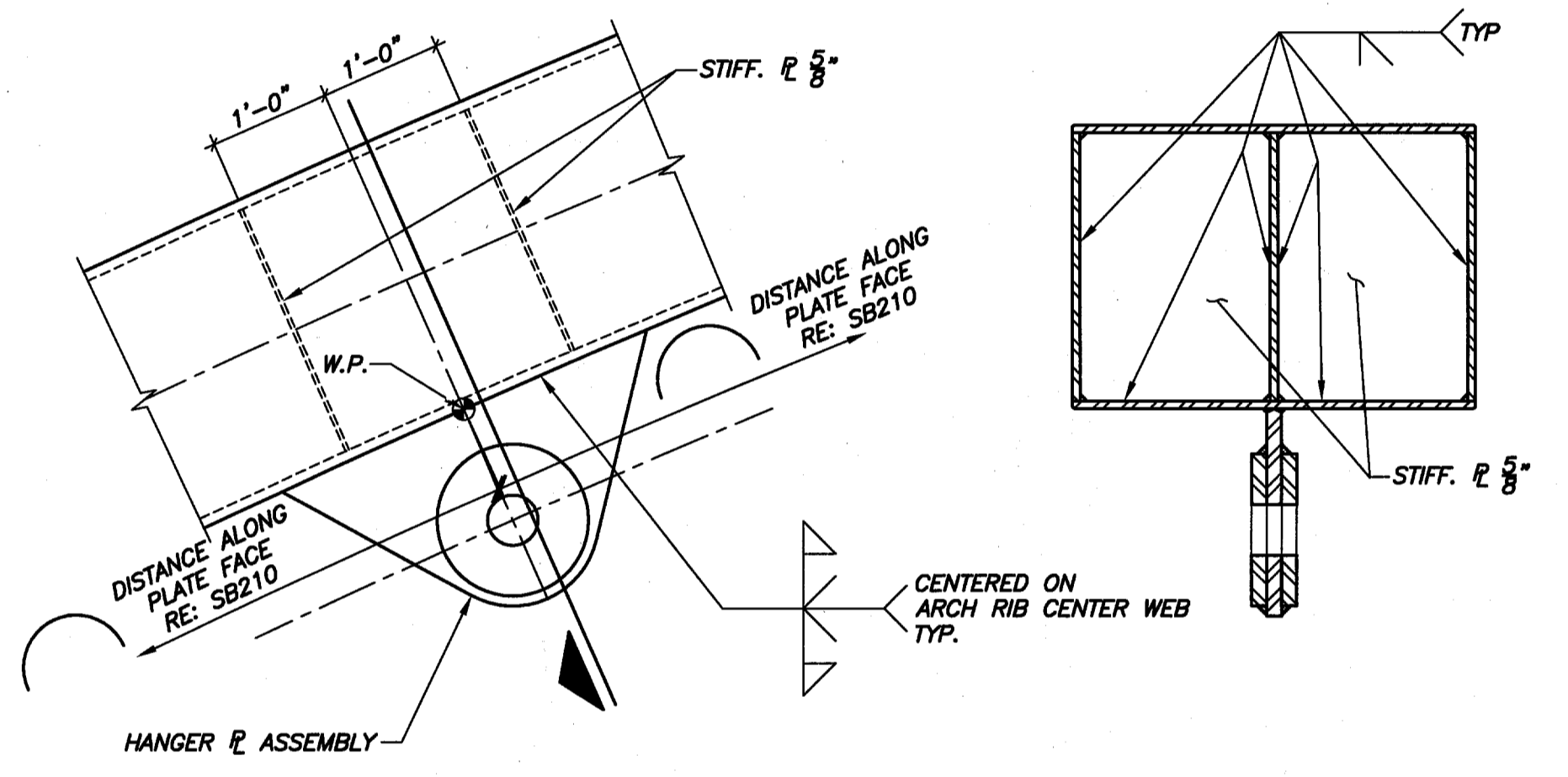
**06 SECTION**  
3/4"=1'-0"



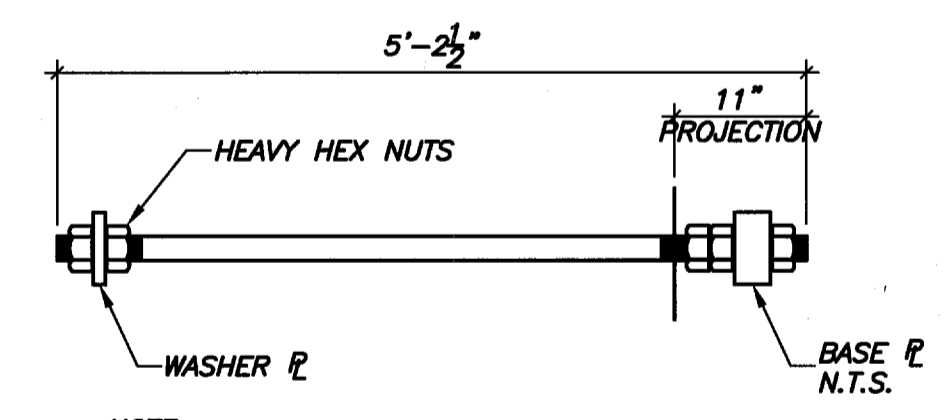
**07 SECTION**  
3/4"=1'-0"



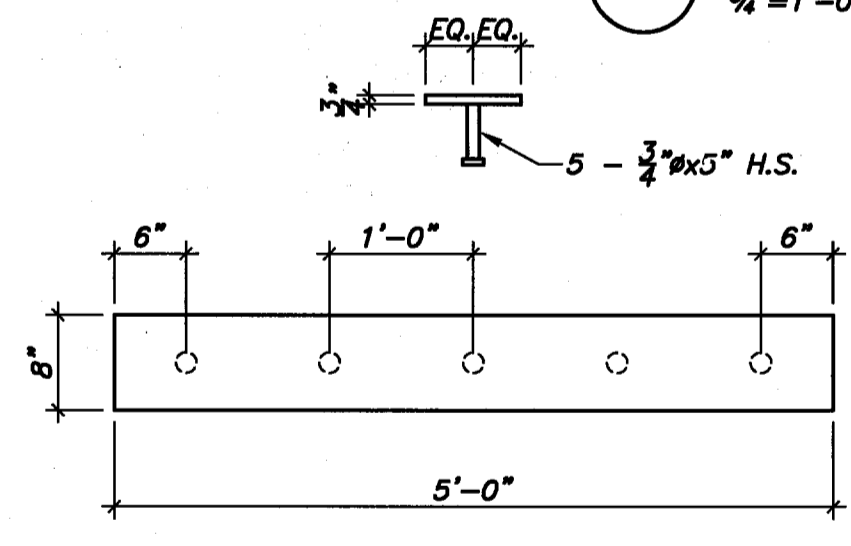
**08 TYP. SHOP SPLICE DETAIL**  
3/4"=1'-0"



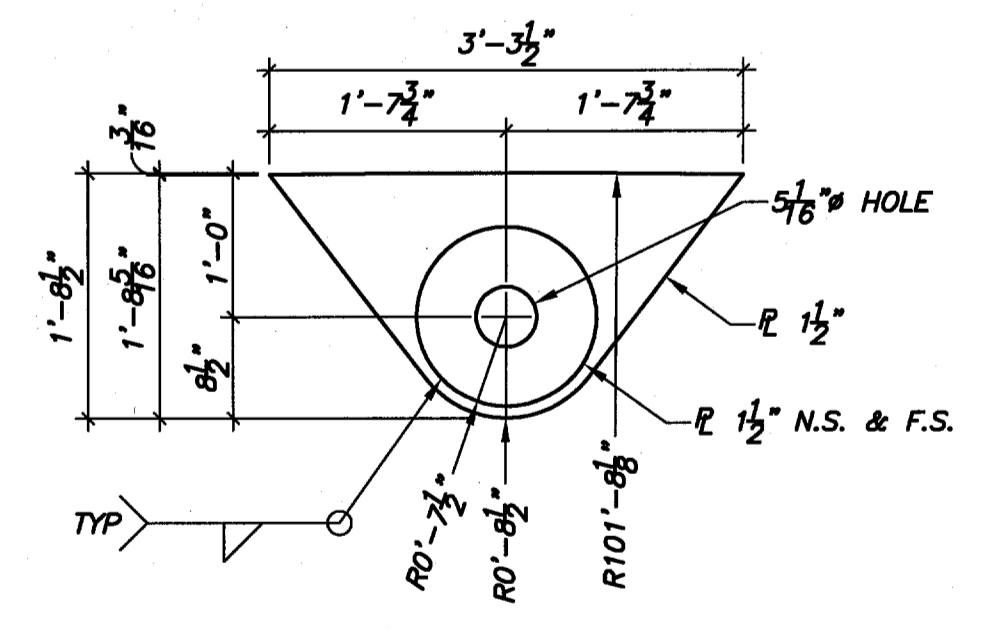
**09 TYP. CLEVIS HANGER PLATE LOCATION**  
3/4"=1'-0"



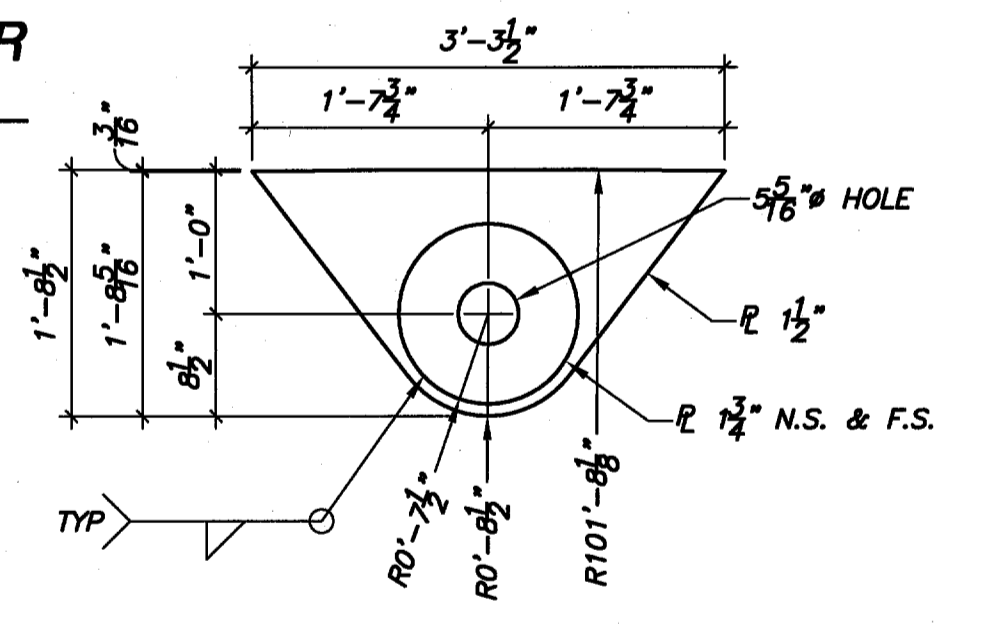
**11 ANCHOR BOLTS & NUTS**  
3/4"=1'-0"



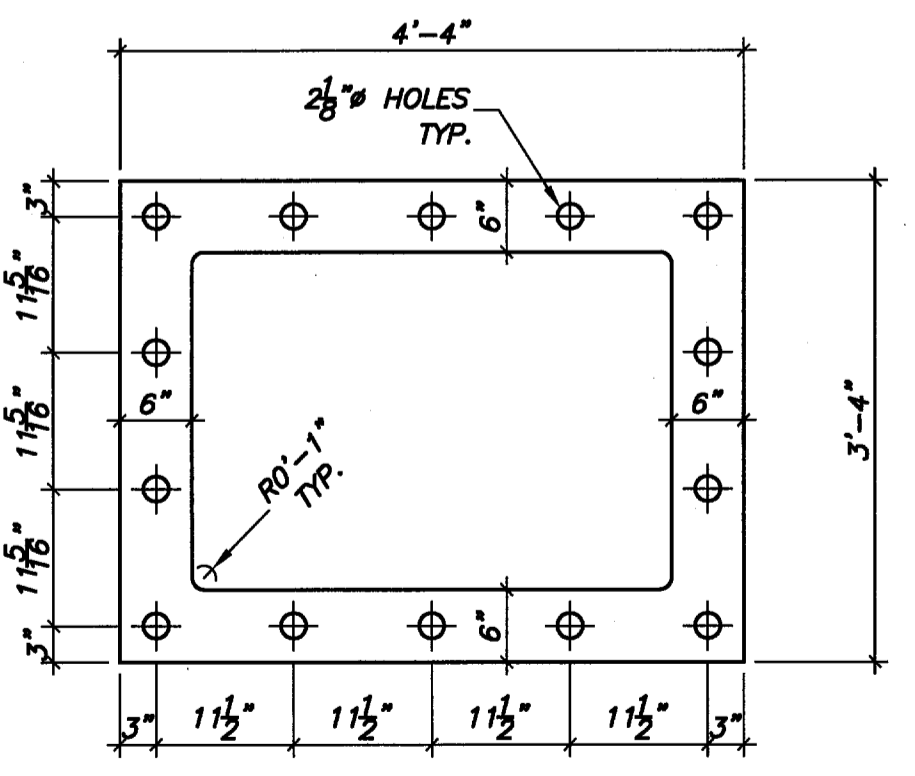
**12 EMBED DETAIL**  
3/4"=1'-0"



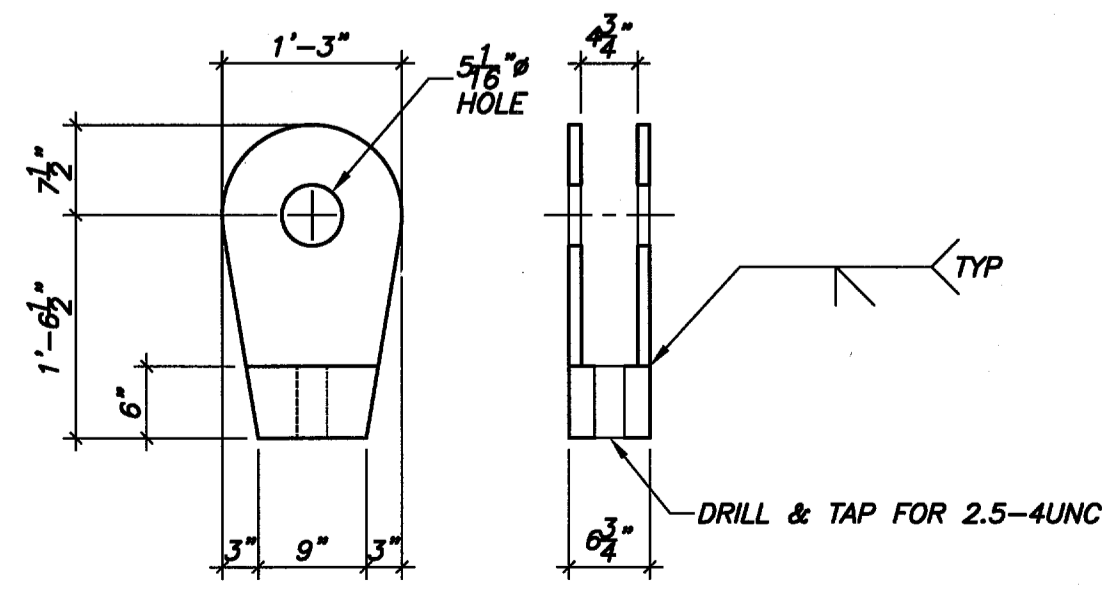
**13 HANGER PLATE ASSEMBLY FOR PT-BAR HANGER**  
3/4"=1'-0"



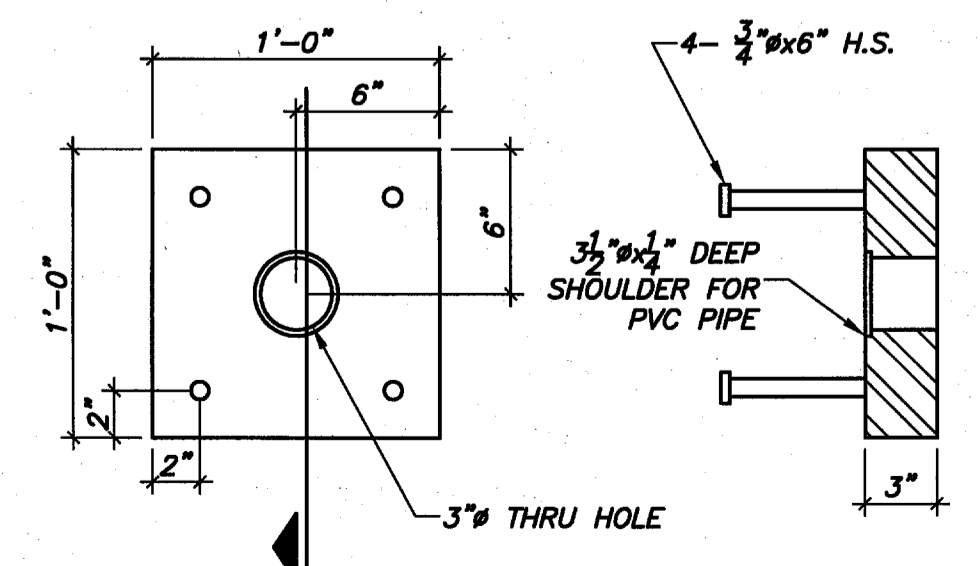
**16 ALTERNATE HANGER PLATE ASSEMBLY FOR STRAND HANGER**  
3/4"=1'-0"



**10 WASHER PLATE DETAIL**  
3/4"=1'-0"



**14 CLEVIS ASSEMBLY**  
3/4"=1'-0"



**15 HANGER BEARING PLATE DETAIL**  
3/4"=1'-0"

NOTE:  
1. MATERIAL: 3" SOKSI PL  
2. BOLT HOLES SHALL BE MATCH DRILLED W/WASHER PLATE  
3. EDGES OF PLATE MAY BE SAWN OR FLAME CUT & MILL FINISHED

NOTE:  
MATERIAL: 1 1/2" SOKSI PL  
TYP. U.N.O.

NOTE:  
MATERIAL: 3/4" SOKSI PL  
TYP. U.N.O.

NOTE:  
1. MATERIAL: 2" A572 GR50  
2. THREAD ENDS OF BOLT AS REQ'D FOR ASSEMBLY SHOWN.

NOTE:  
1. MATERIAL IS 3/4" SOKSI PL  
2. BOLT HOLES SHALL BE MATCH DRILLED W/BASE PLATE  
3. EDGES OF PLATE MAY BE SAWN OR FLAME CUT & MILL FINISHED

NOTE: ALL HOLES TO BE MADE AFTER ASSEMBLY IS COMPLETE

NOTE: ALL HOLES TO BE MADE AFTER ASSEMBLY IS COMPLETE



PRELIMINARY-FOR REVIEW ONLY		01/25/09	
NO.	REVISION	BY	DATE
TOWN OF ADDISON DALLAS COUNTY, TEXAS			
VITRUVIAN PARK BRIDGES BELLA LANE			
<b>SECTIONS &amp; DETAILS</b>			
<b>VIEWTECH, INC.</b>		4205 Bellway Dr. - Addison, Texas 75001	
Structural Engineers		(972) 661-8187 Fax (972) 661-8172	
PROJECT	DESIGN	DRAWN	DATE
2007.144	VL	NERF	NOV. 25 2009
FILE	SHEET		
-	SB311		