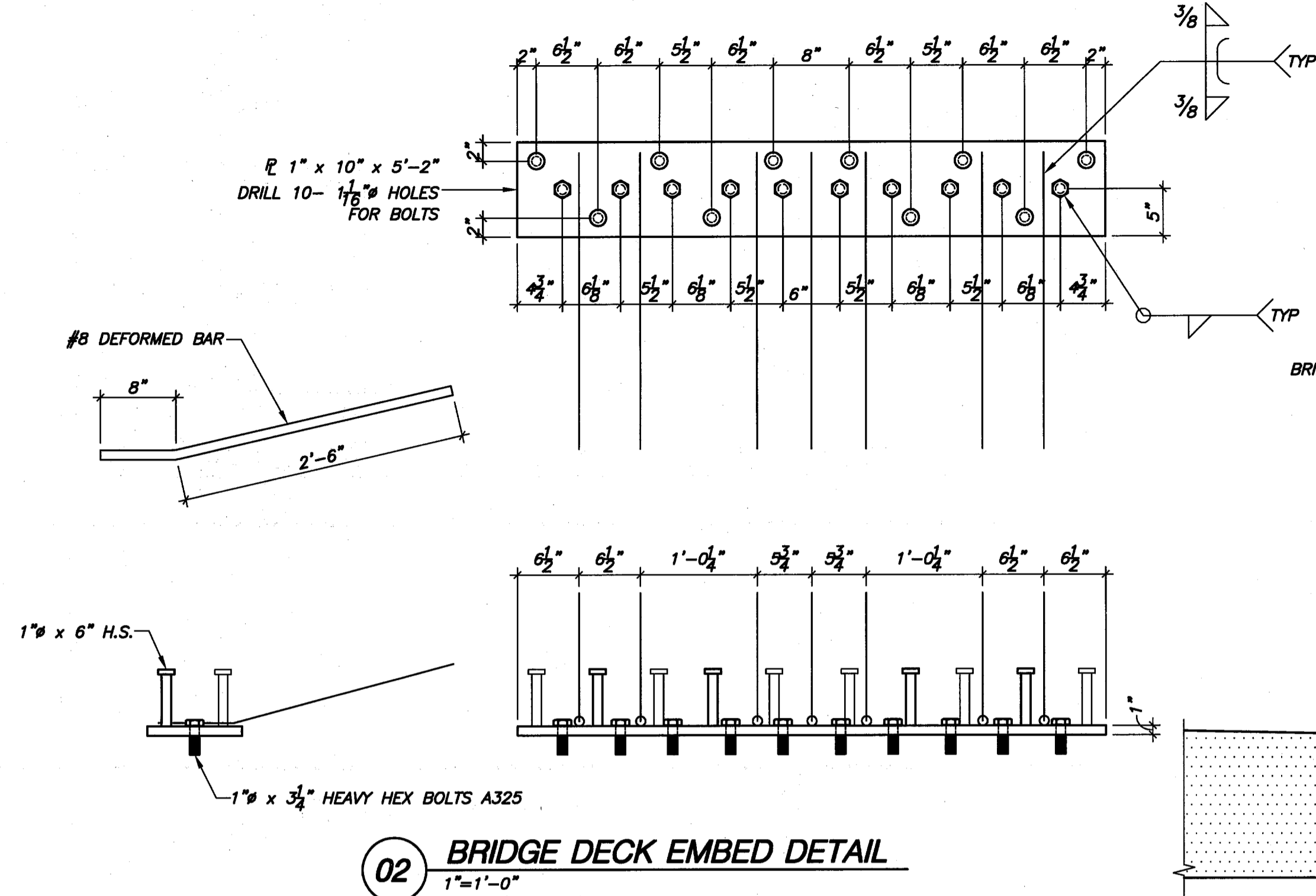
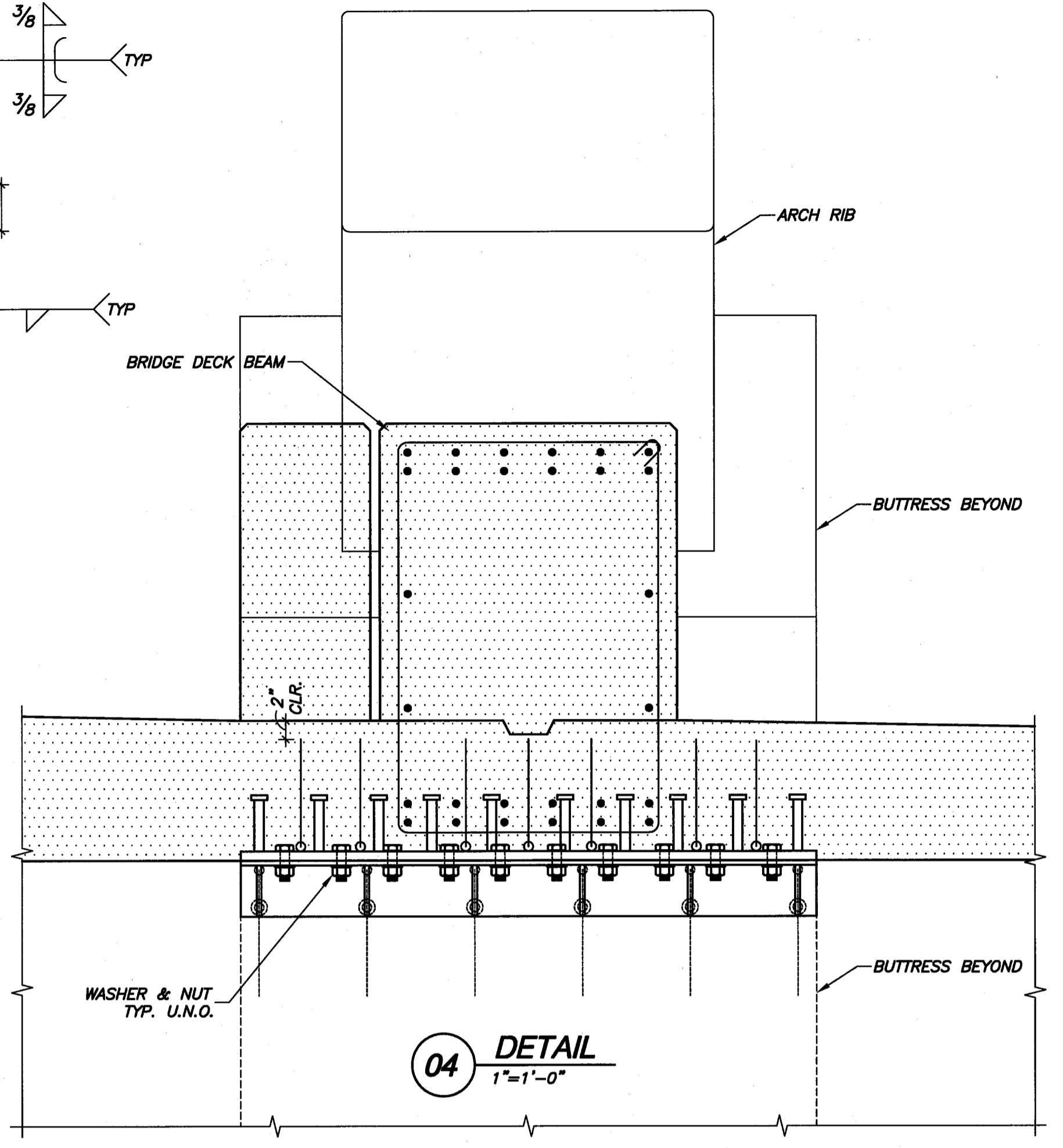


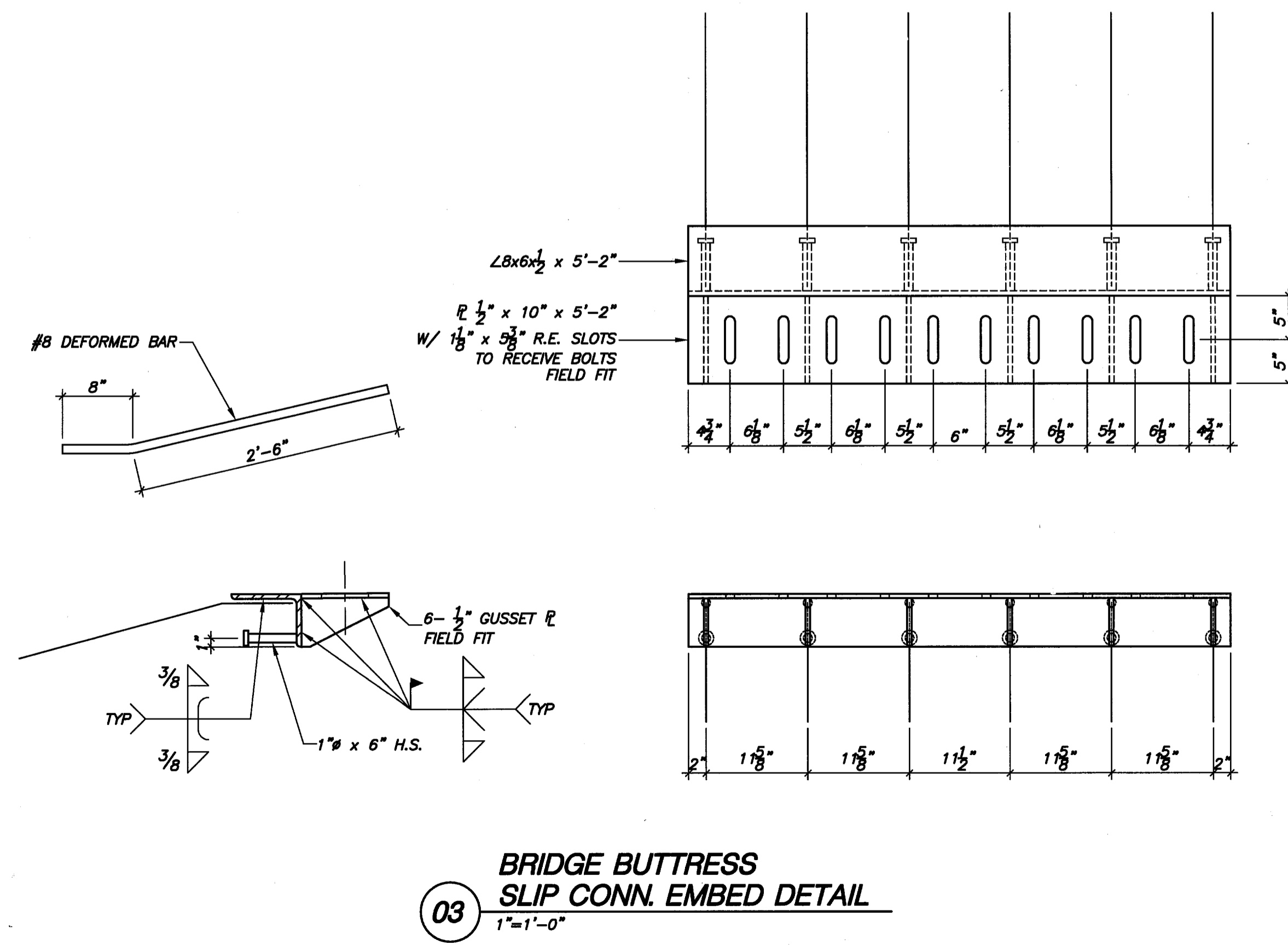
**01 BRIDGE BUTRESS  
FIXED CONN. EMBED DETAIL**  
1"=1'-0"



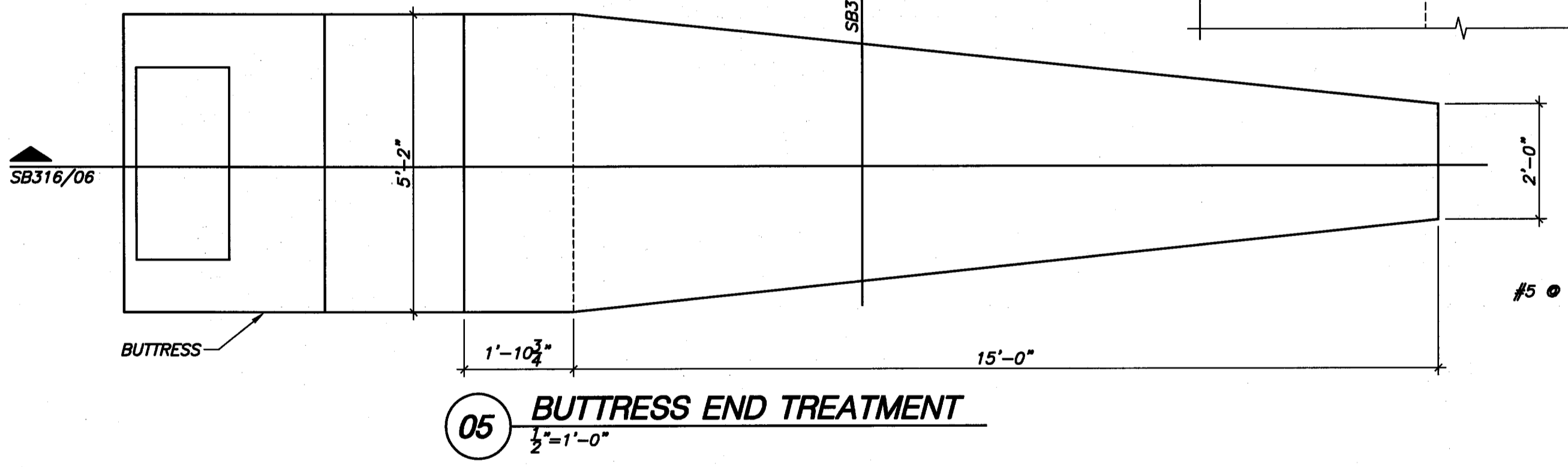
**02 BRIDGE DECK EMBED DETAIL**  
1"=1'-0"



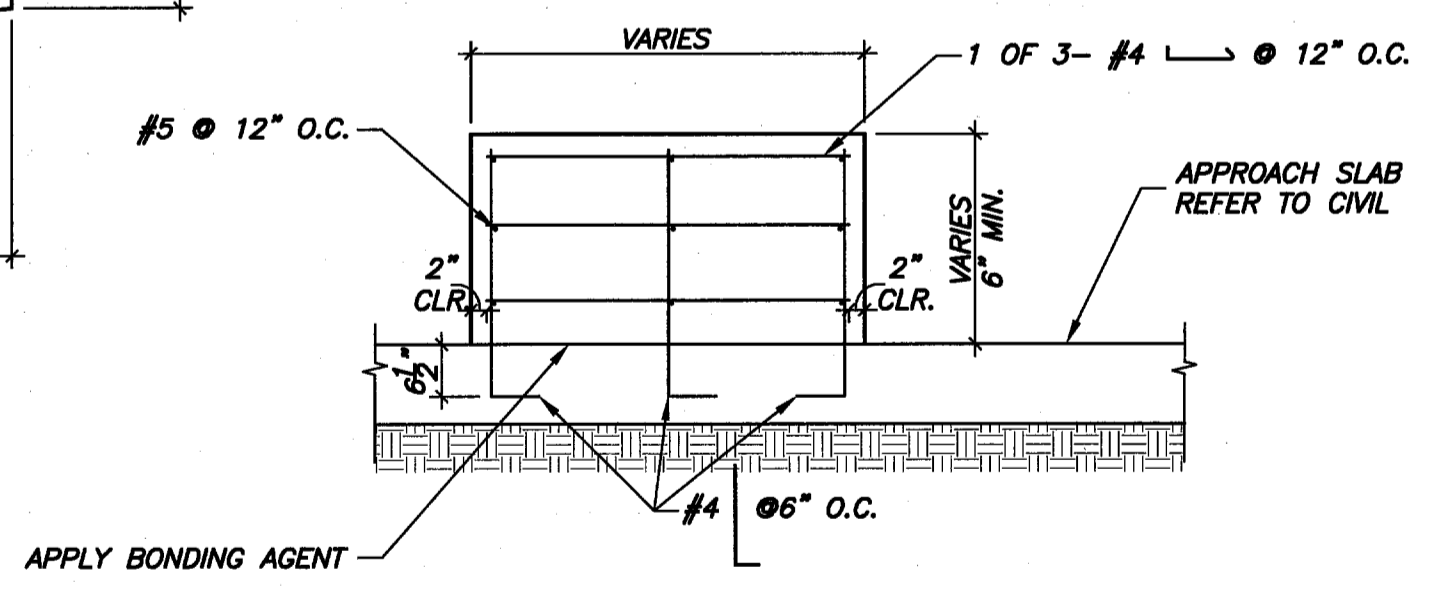
**04 DETAIL**  
1"=1'-0"



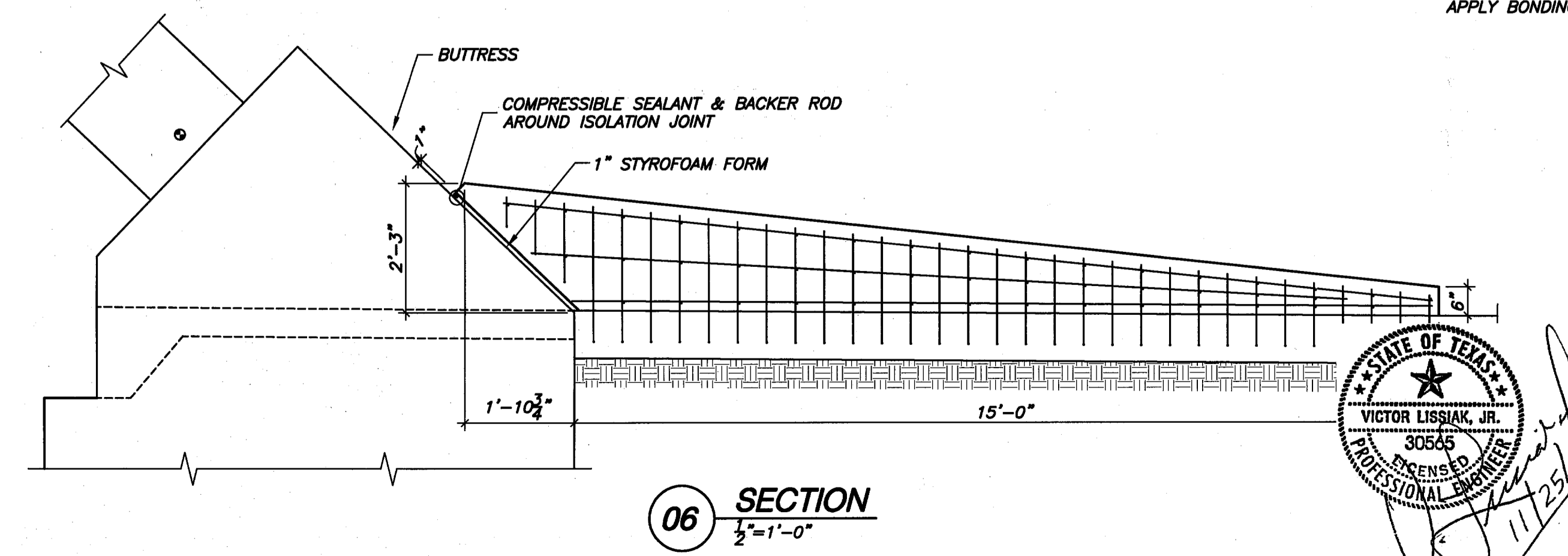
**03 BRIDGE BUTRESS  
SLIP CONN. EMBED DETAIL**  
1"=1'-0"



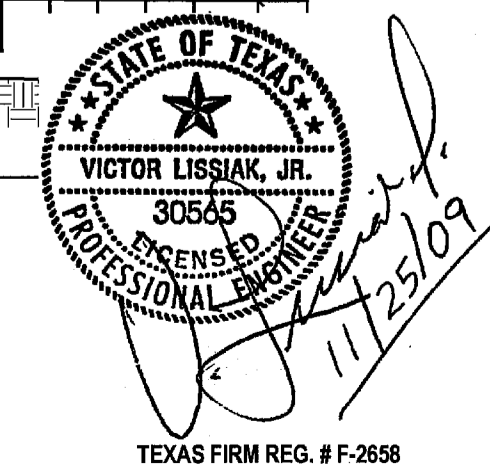
**05 BUTRESS END TREATMENT**  
1/2"=1'-0"



**07 SECTION**  
1/2"=1'-0"



**06 SECTION**  
1/2"=1'-0"



PRELIMINARY-FOR REVIEW ONLY				01/25/09
NO.	REVISION	BY	DATE	
TOWN OF ADDISON DALLAS COUNTY, TEXAS				
VITRUVIAN PARK BRIDGES BELLA LANE				
<b>SECTIONS &amp; DETAILS</b>				
VIEWTECH, INC.		4205 Beltway Dr. - Addison, Texas 75001		
Structural Engineers		(972) 661-8187 Fax (972) 661-8172		
PROJECT	DESIGN	DRAWN	FILE	SHEET
2007.144	VL	NERF	NOV. 25 2009	SB316