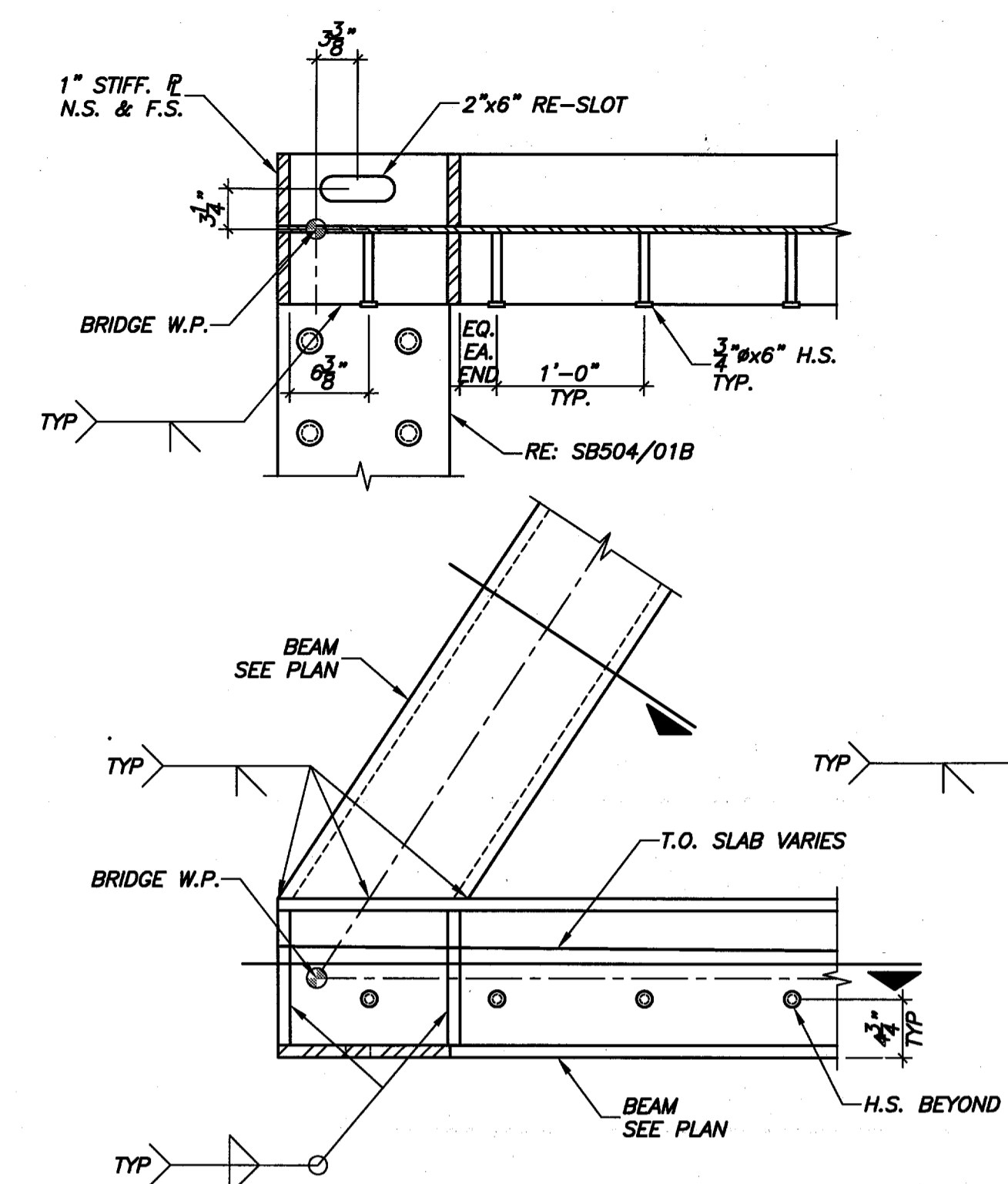
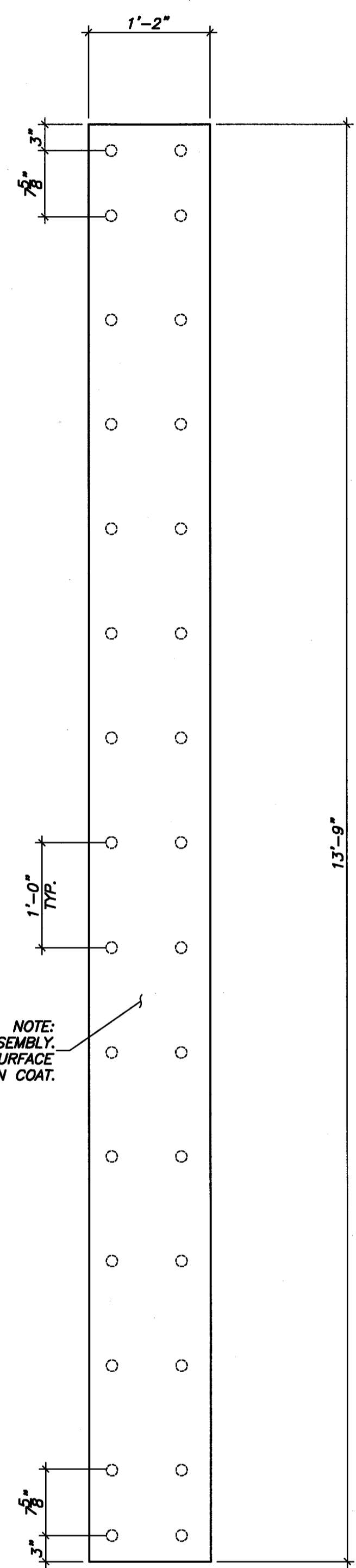
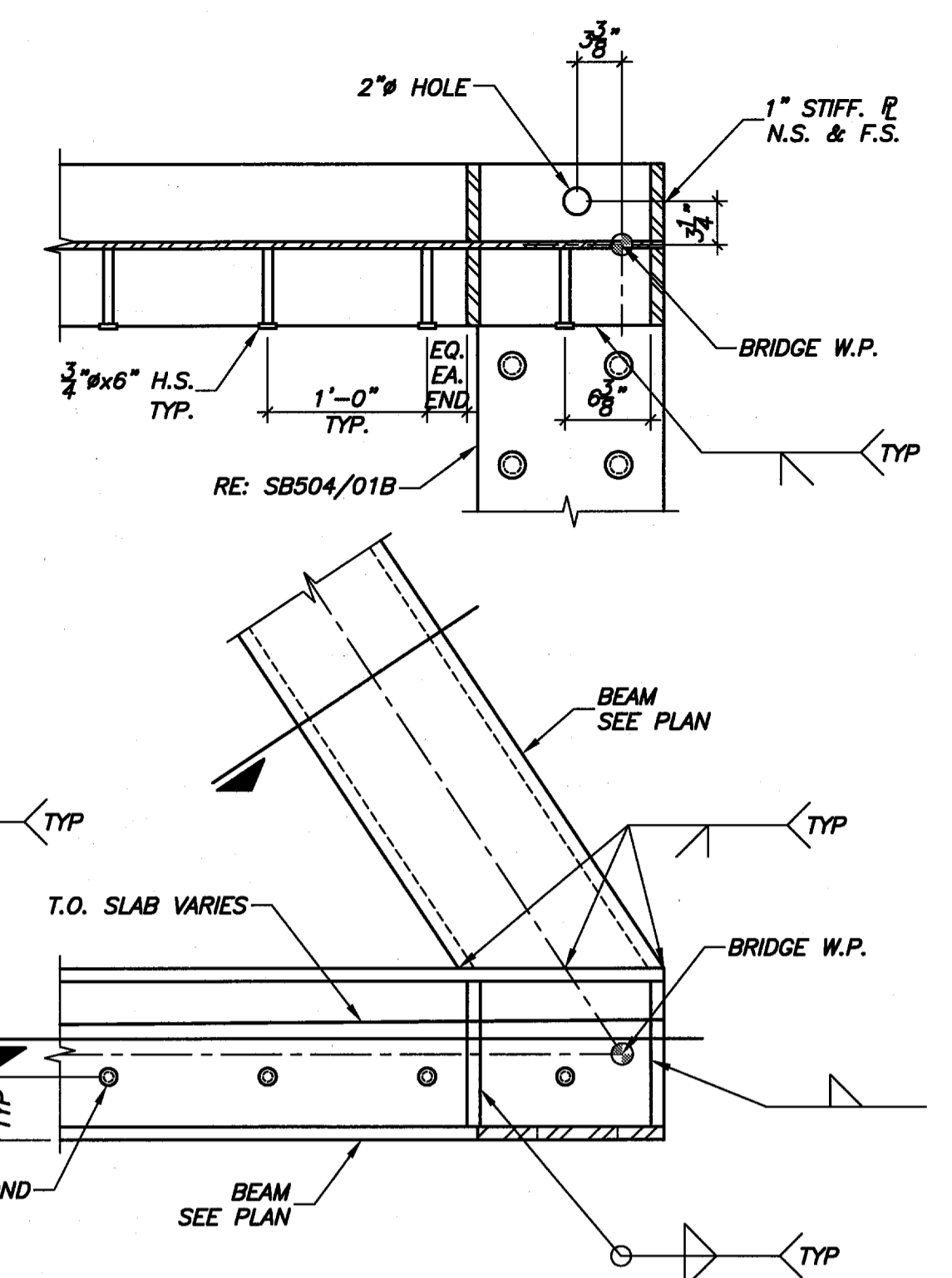


NOTE:
GALVANIZE ASSEMBLY.
POLISH THIS SURFACE
AND TEFLON COAT.

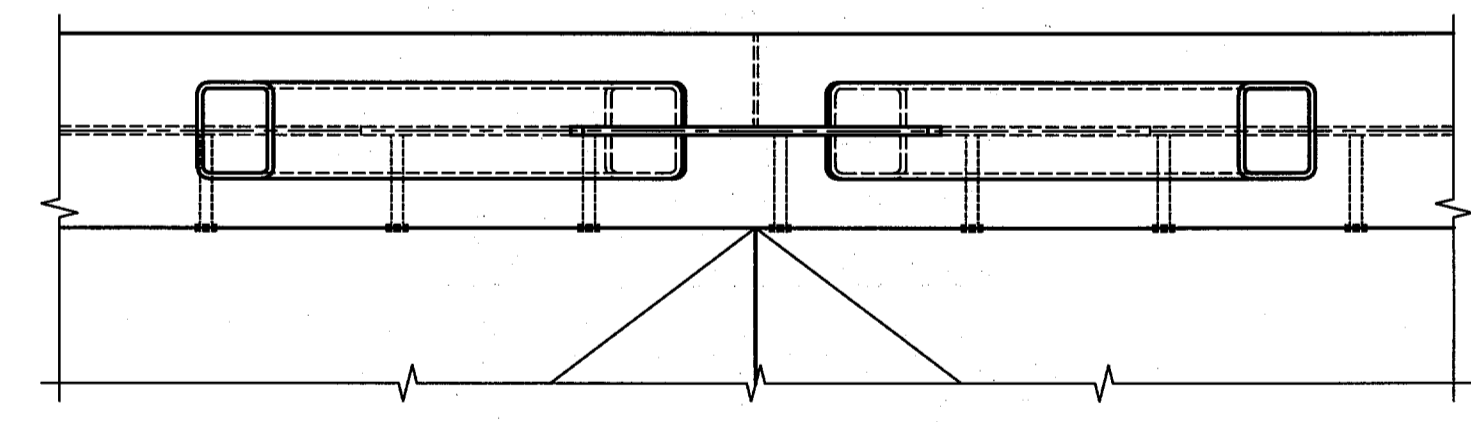
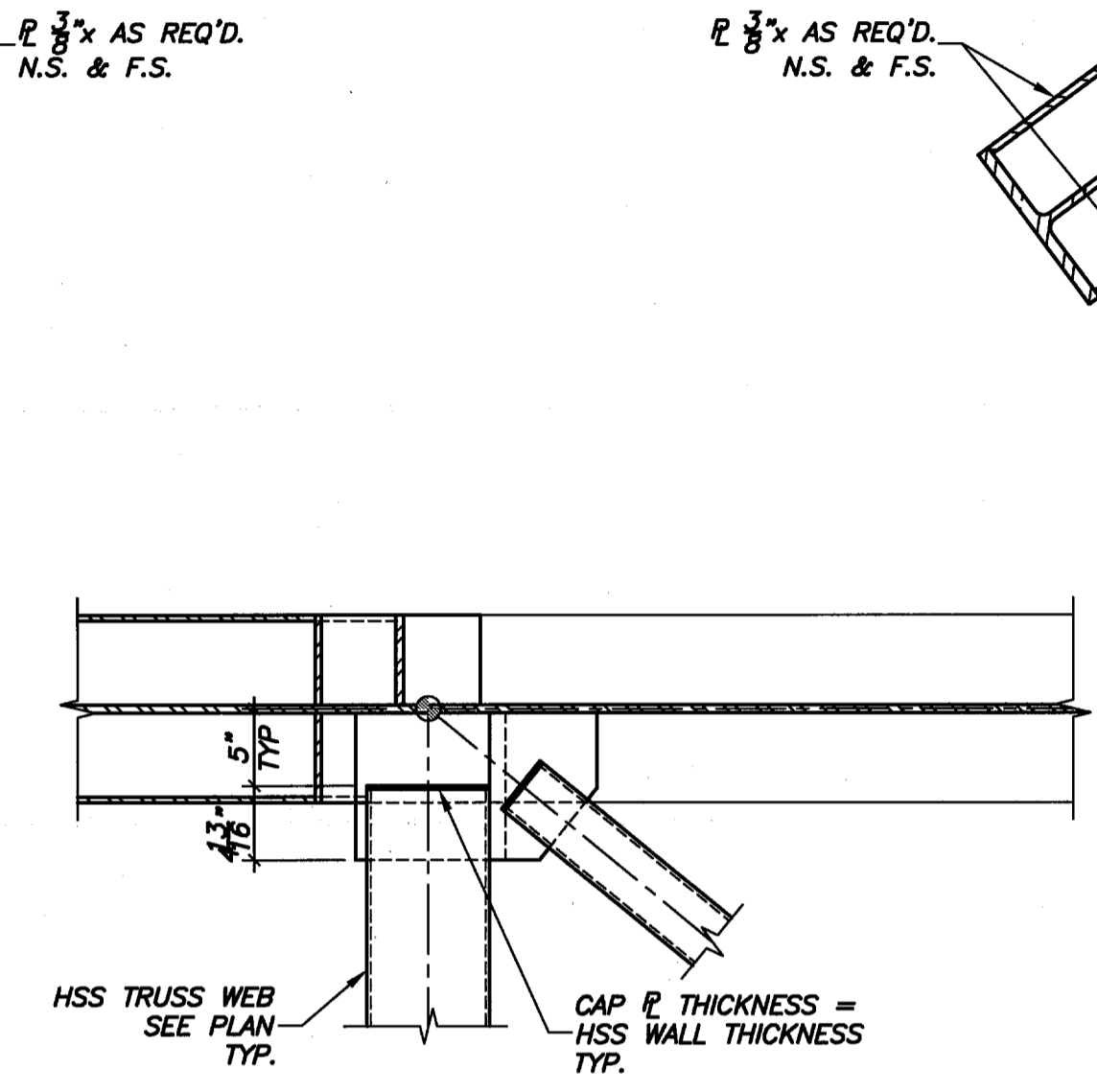
NOTE:
GALVANIZE ASSEMBLY.
POLISH THIS SURFACE
AND TEFLON COAT.



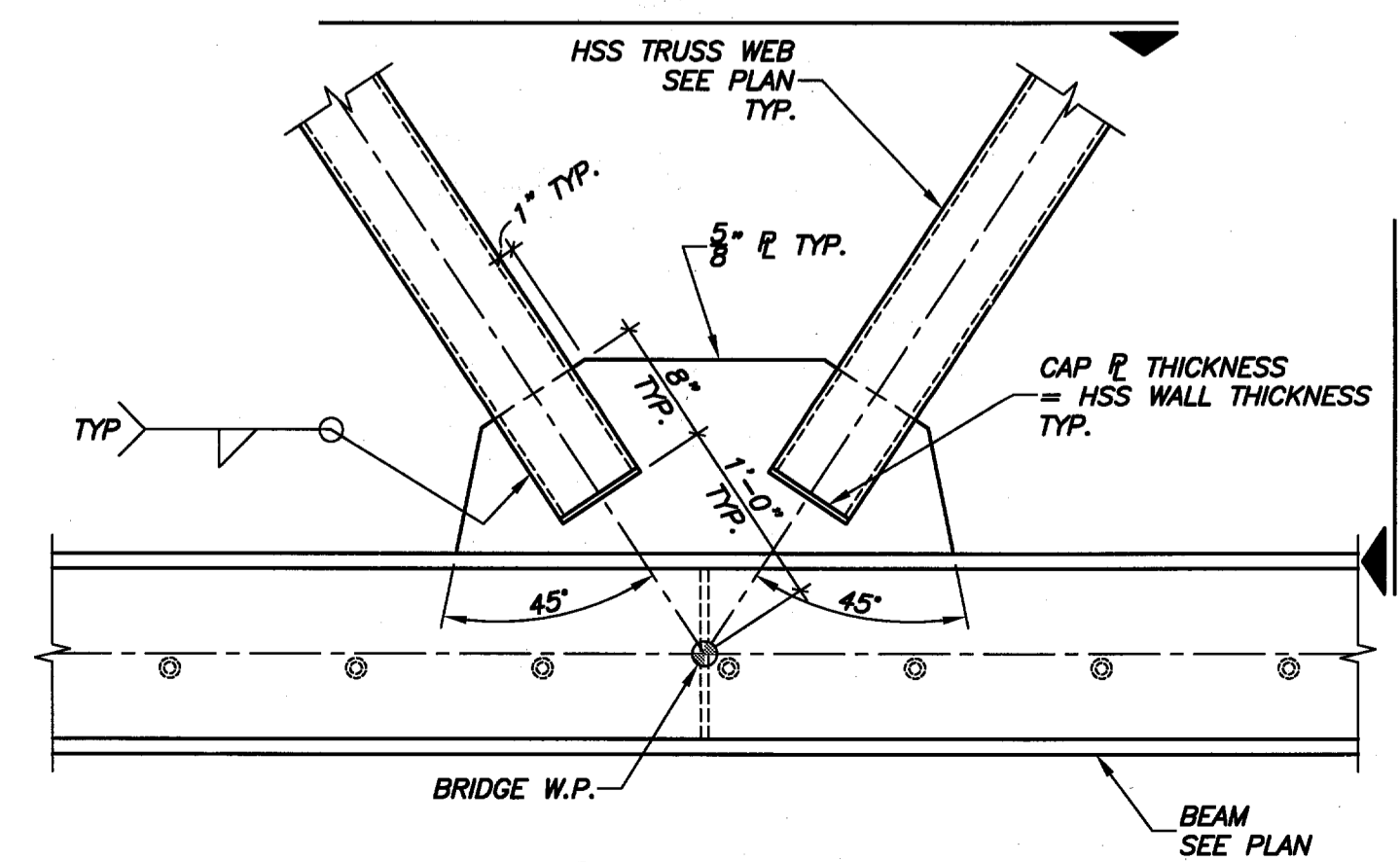
02 DETAIL
1"=1'-0"



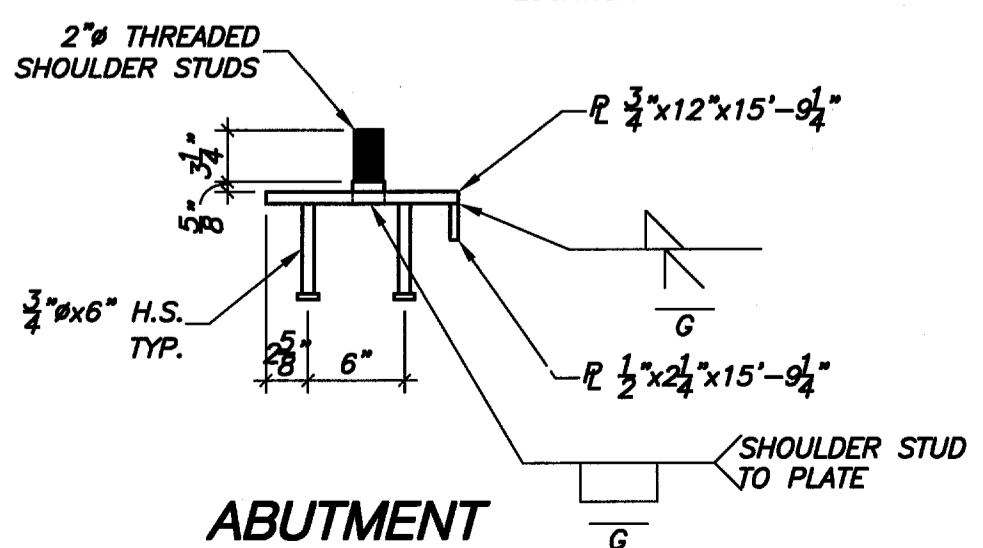
03 DETAIL
1"=1'-0"



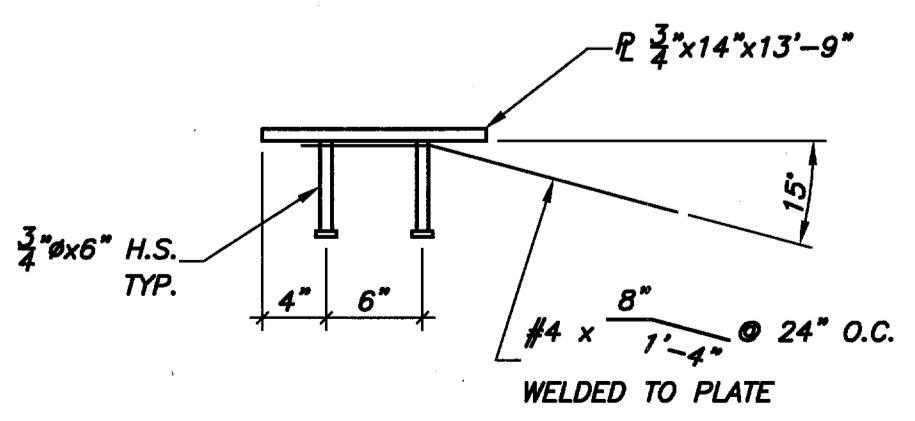
05 DETAIL
1"=1'-0"



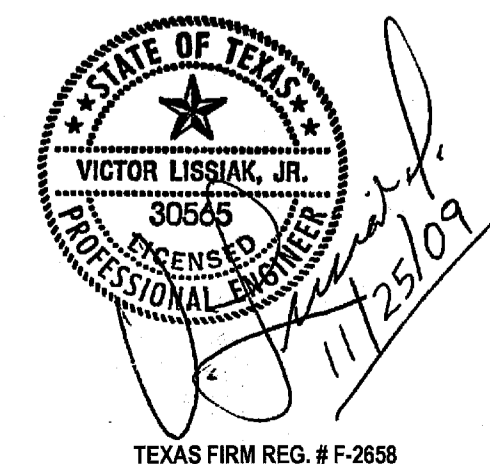
04 DETAIL
1"=1'-0"



01A ABUTMENT EMBED DETAIL
1"=1'-0"



01B BRIDGE DECK EMBED DETAIL
1"=1'-0"



1	ADDENDUM	06/29/09
	PRELIMINARY-FOR REVIEW ONLY	01/25/08
NO.	REVISION	BY DATE
TOWN OF ADDISON DALLAS COUNTY, TEXAS VITRUVIAN PARK BRIDGES PEDESTRIAN SECTIONS & DETAILS		
VIEWTECH, INC.		
Structural Engineers		
PROJECT	DESIGN	DRAWN
2007.144	VL	NERF
DATE	FILE	SHEET
NOV. 25 2009	-	SB404

TEXAS FIRM REG. # F-2658