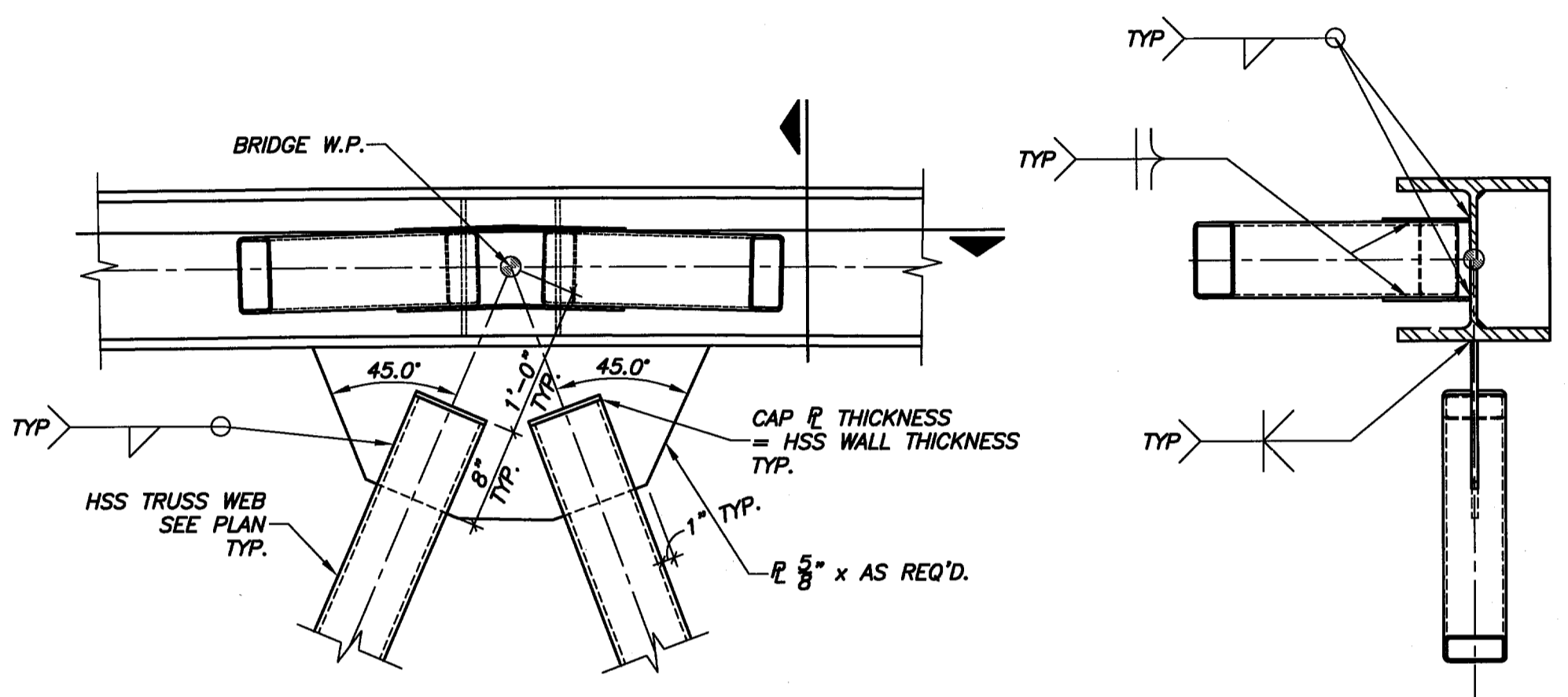
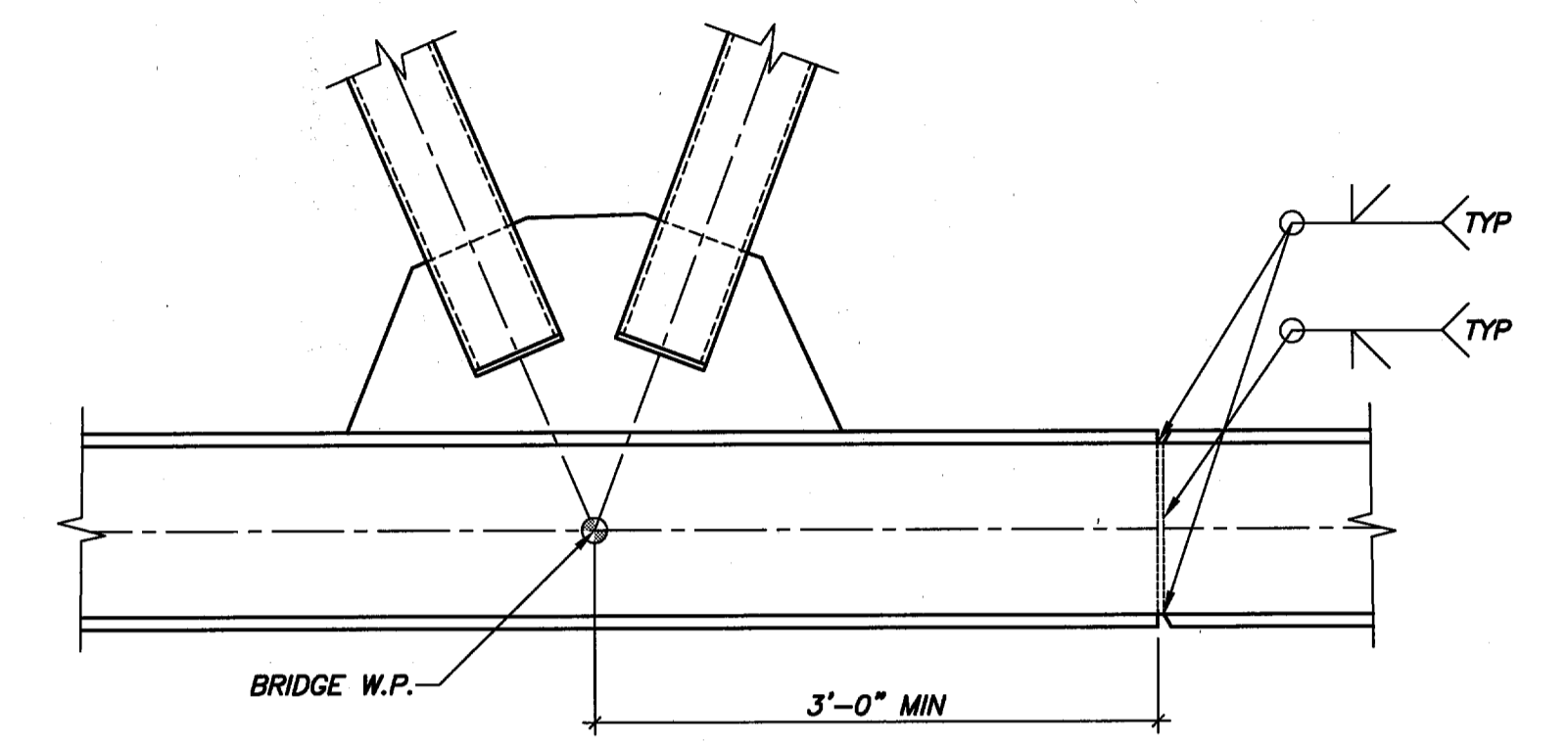
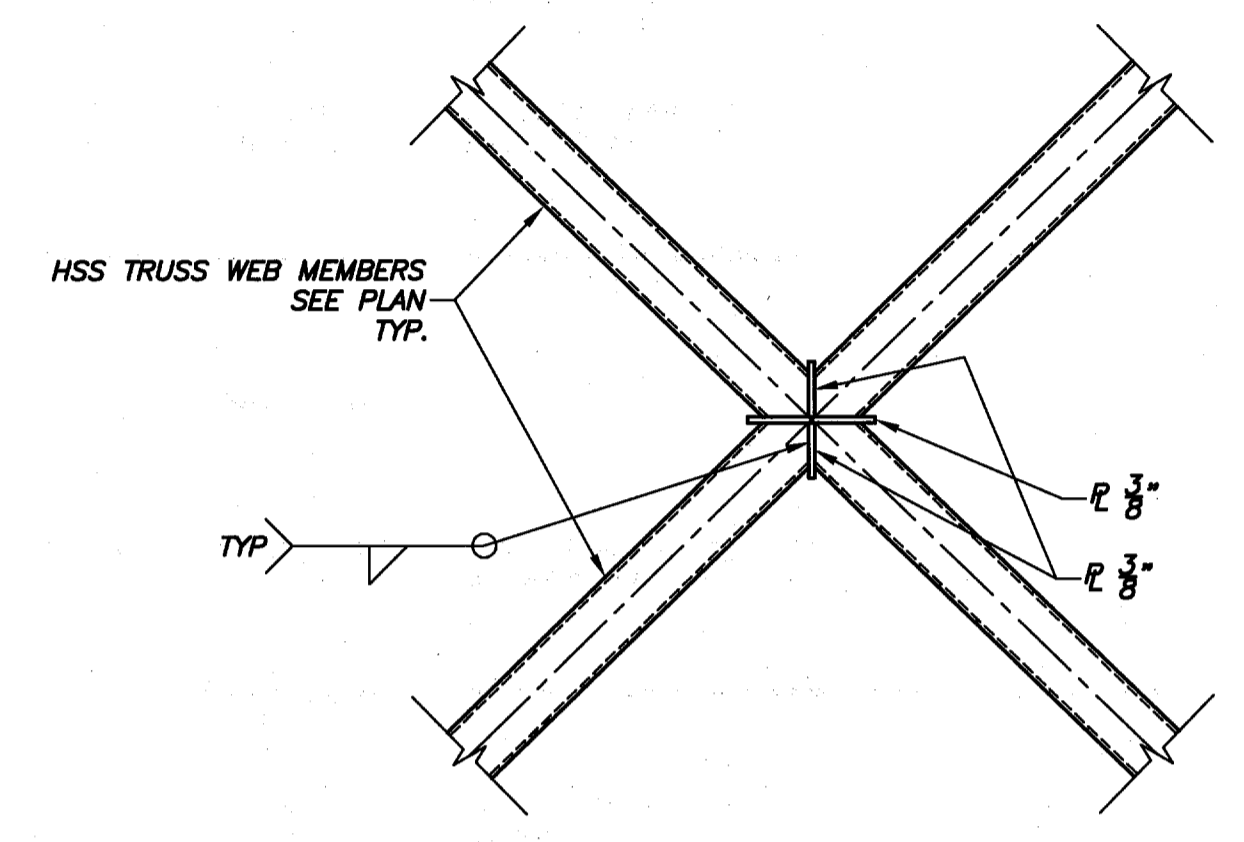


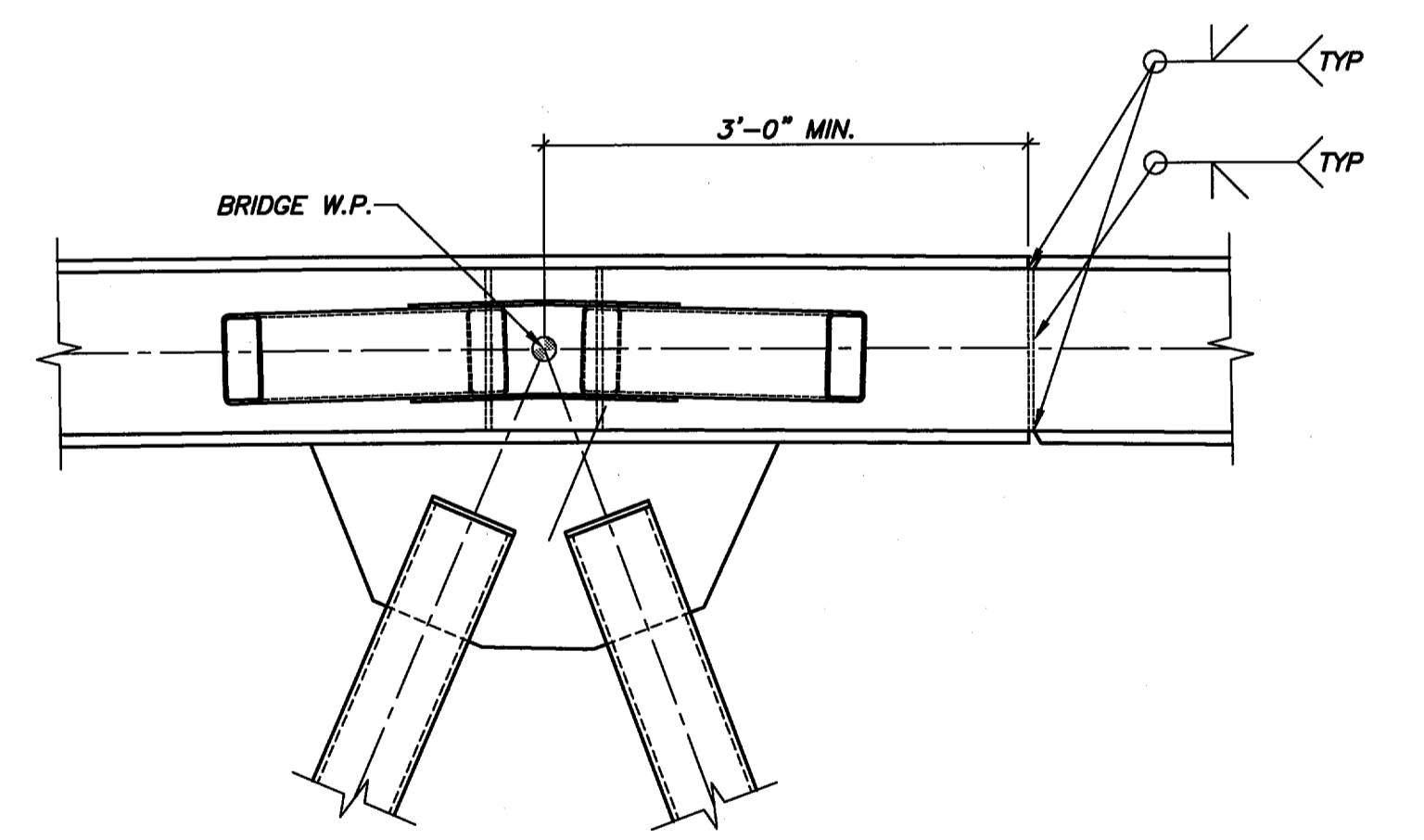
01 DETAIL
1"=1'-0"



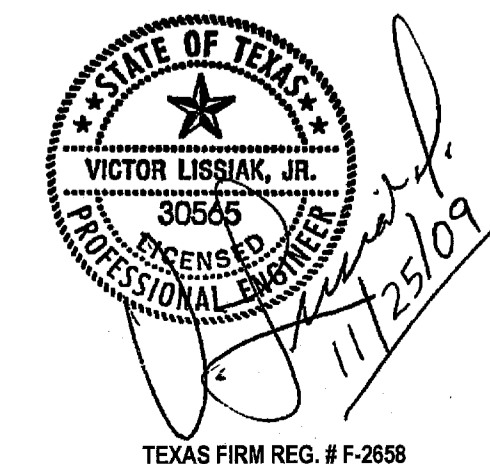
02 DETAIL
1"=1'-0"



03 TYP. BOTTOM CHORD FIELD SPLICE DETAIL
1"=1'-0"



04 TYP. TOP CHORD FIELD SPLICE DETAIL
1"=1'-0"



1	ADDENDUM			06/29/09
	PRELIMINARY—FOR REVIEW ONLY			01/25/09
NO.	REVISION	BY	DATE	
TOWN OF ADDISON DALLAS COUNTY, TEXAS				
VITRUVIAN PARK BRIDGES PEDESTRIAN				
SECTIONS & DETAILS				
VIEWTECH, INC.		4205 Beltway Dr. - Addison, Texas 75001 (972) 661-8187 Fax (972) 661-8172		
PROJECT	DESIGN	DRAWN	DATE	FILE
2007.144	VL	NERF	NOV. 25 2009	-
				SHEET
				SB405