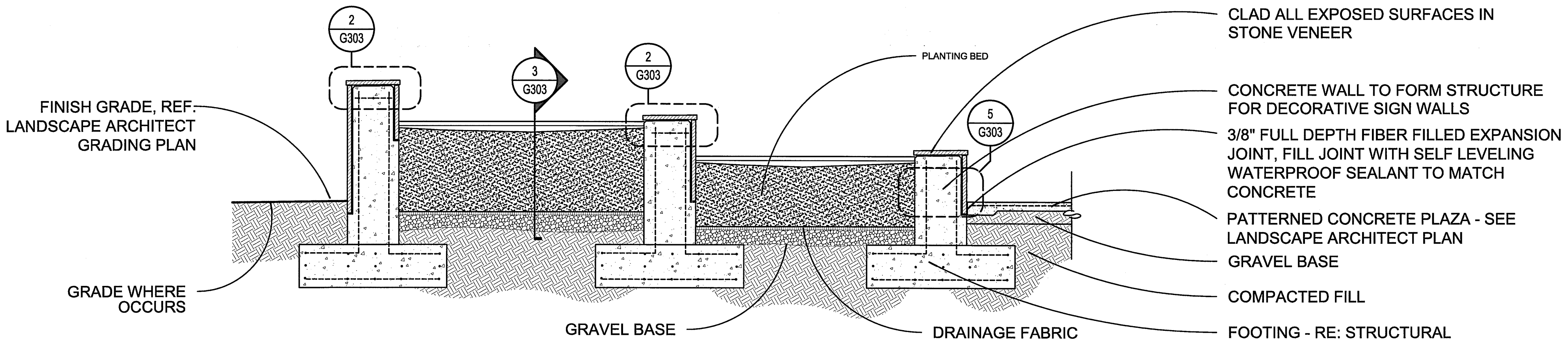


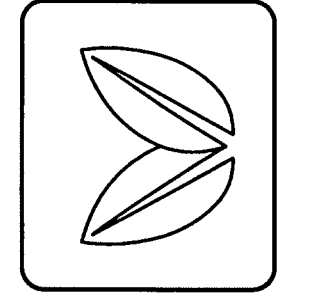
1 ELEVATION SIGNS AND PLANTER WALLS
1/4" = 1'-0"



2 PLANTER SECTION
3/8" = 1'-0"

MODIFICATION MADE TO DRAWINGS PROVIDED BY LRK ON 6/18/10.

1. MODIFIED WALL HEIGHTS TO MATCH CURRENT LANDSCAPE DRAWINGS.
2. REMOVED MAINTENANCE STRIP AT BACK OF WALL DETAIL.
3. ADJUSTED STONE LEDGES
4. ADJUSTED STONE CLADDING THICKNESS



REVISIONS
1. FOUNTAIN LAYOUT REVISION 9/13/10
2. ISSUE FOR CONSTRUCTION 9/15/10

ISSUE FOR CONSTRUCTION
DATE 7-1-10
JOB NUMBER
DRAWN BY TS
CHECKED BY LT

SHEET TITLE
**MONUMENT
SIGNAGE
ELEVATION /
SECTION**

SHEET NUMBER
G301