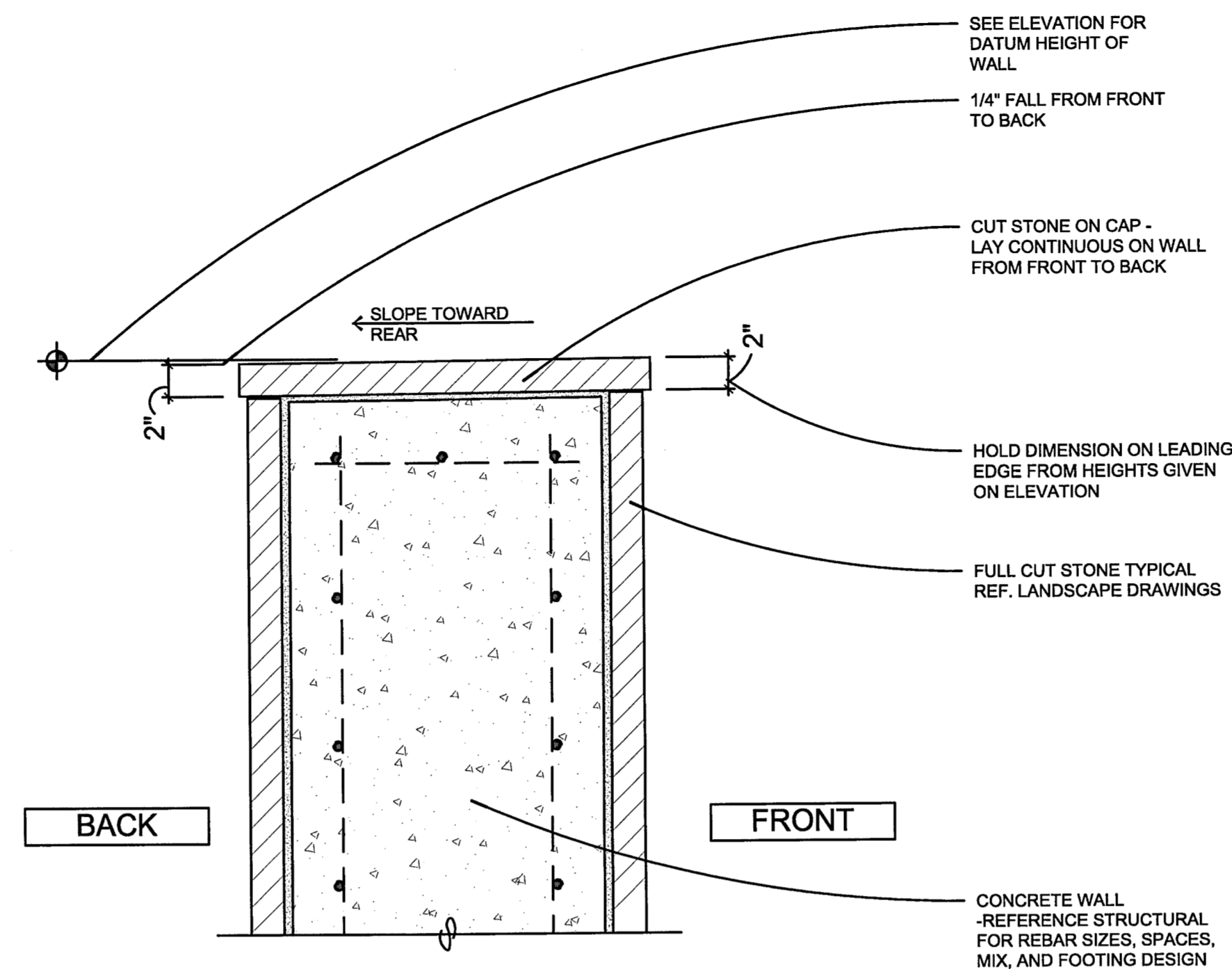
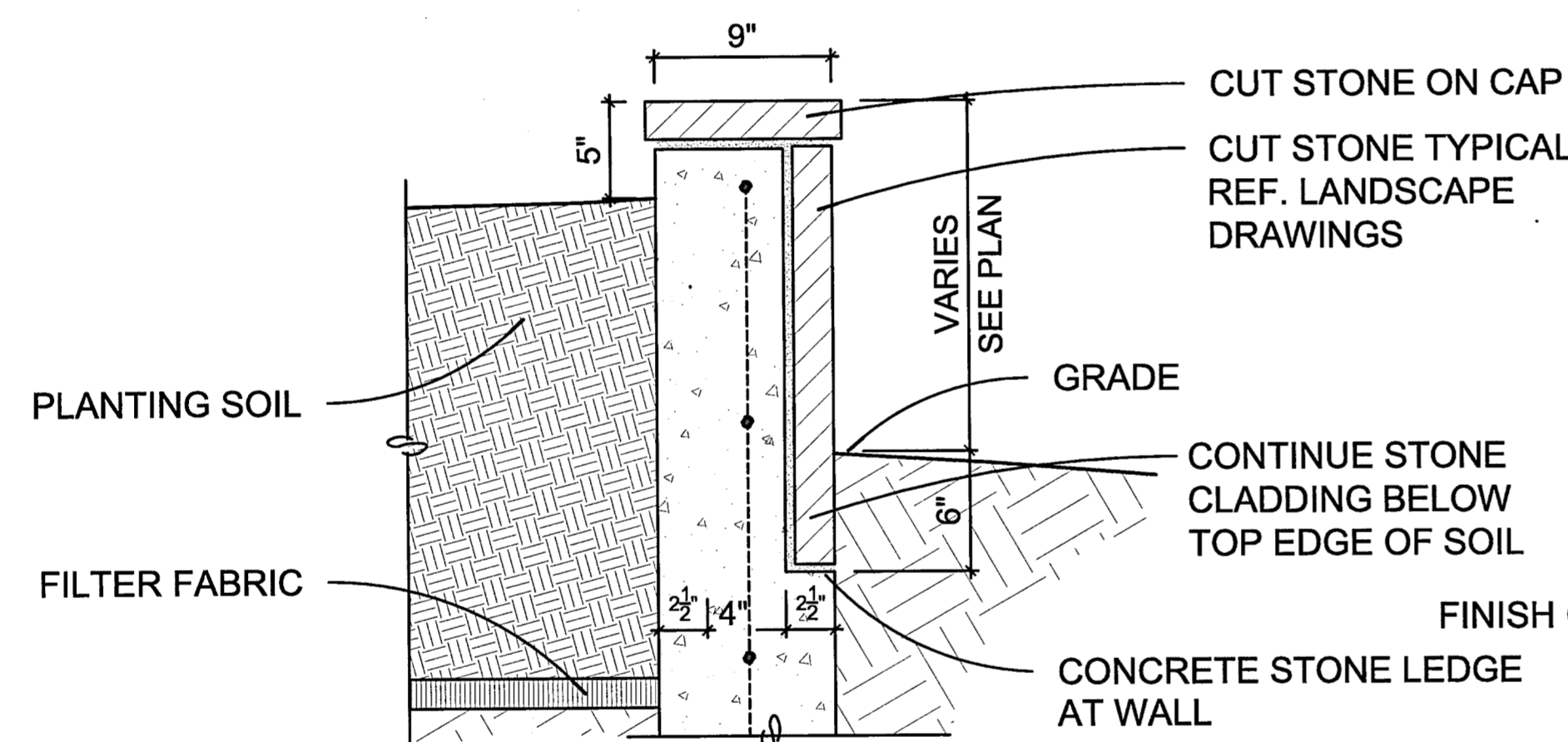


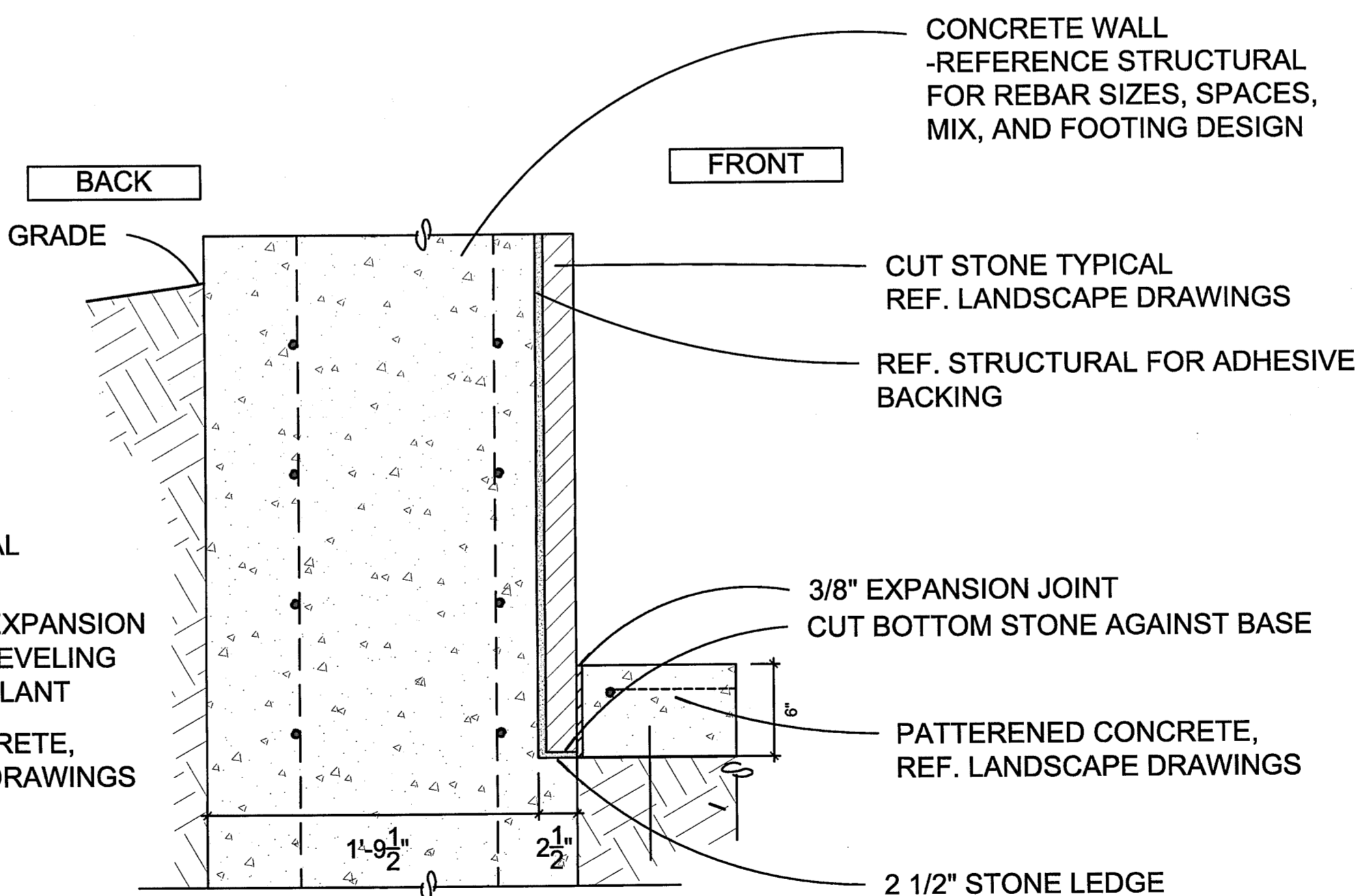
**1 PLAN DETAIL - PLANTER WALL**  
1-1/2" = 1'-0"



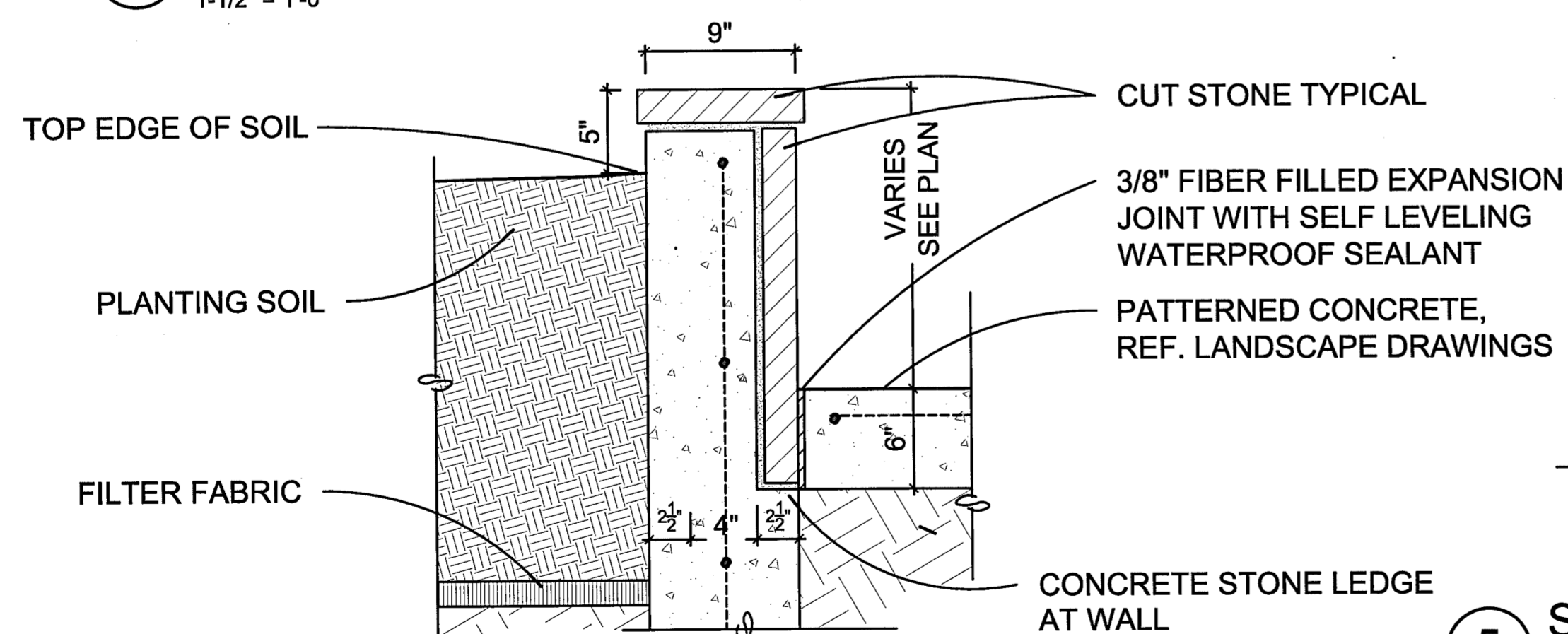
**2 SECTION DETAIL - PLANTER WALL**  
1-1/2" = 1'-0"



**3 SECTION DETAIL - PLANTER WALL**  
1-1/2" = 1'-0"



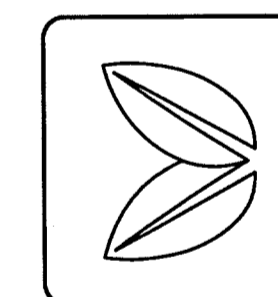
**5 SECTION DETAIL - PLANTER WALL**  
1-1/2" = 1'-0"



**4 SECTION DETAIL - PLANTER WALL**  
1-1/2" = 1'-0"

MODIFICATION MADE TO DRAWINGS PROVIDED BY LRK ON 6/18/10.

1. MODIFIED WALL CLADDING THICKNESS.
2. MODIFIED PATTERNED CONCRETE CALL OUT TO REFERENCE LANDSCAPE DRAWINGS.
3. REPLACED 4" CONCRETE HEAD WALL WITH STONE LEDGE



09/15/10

REVISIONS  
1. FOUNTAIN LAYOUT REVISION 9/13/10  
2. ISSUE FOR CONSTRUCTION 9/15/10

ISSUE FOR CONSTRUCTION  
DATE 7-1-10  
JOB NUMBER  
DRAWN BY TS  
CHECKED BY LT

SHEET TITLE  
**MONUMENT SIGNAGE CONSTRUCTION DETAILS**

SHEET NUMBER

**G303**