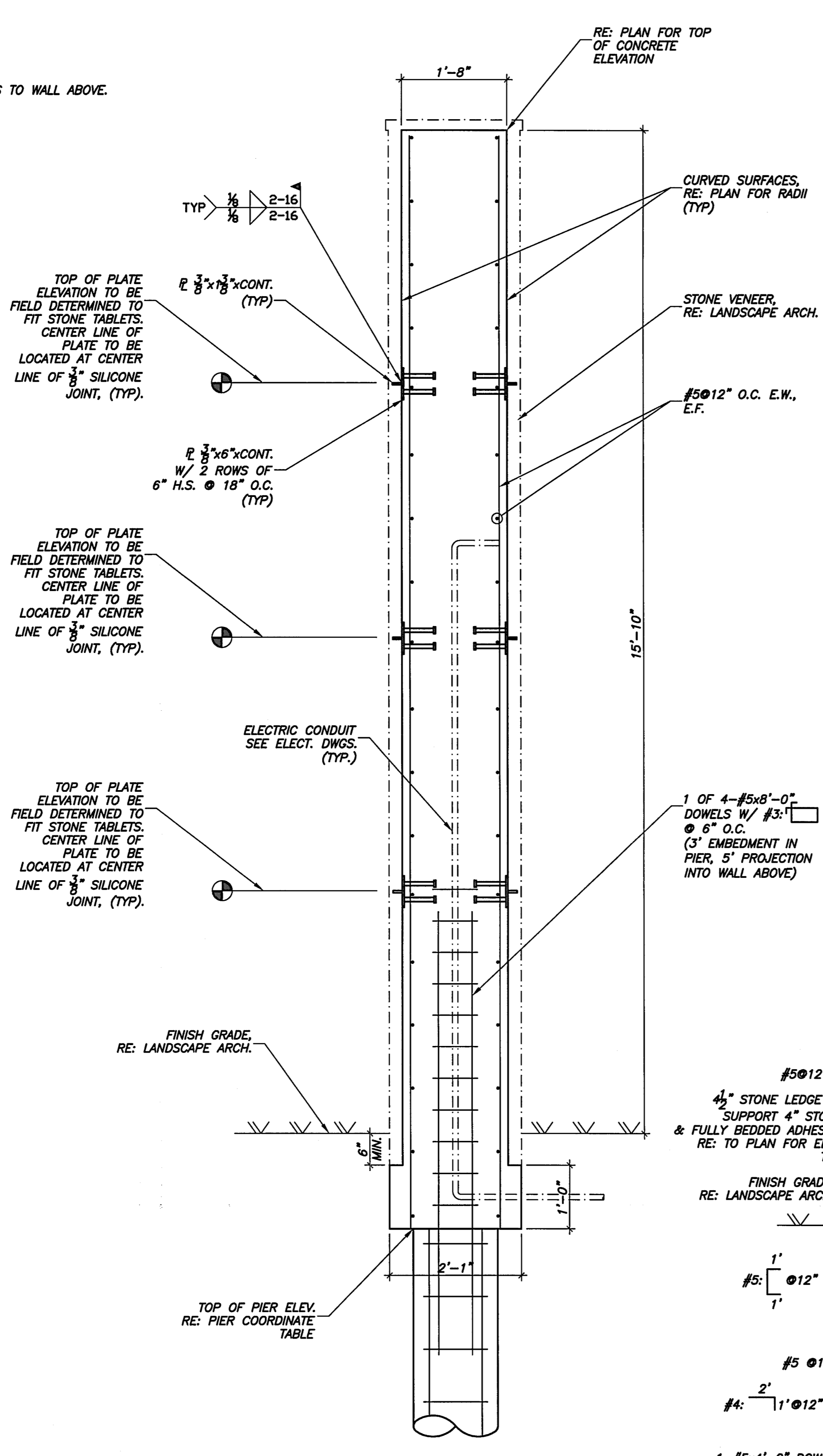
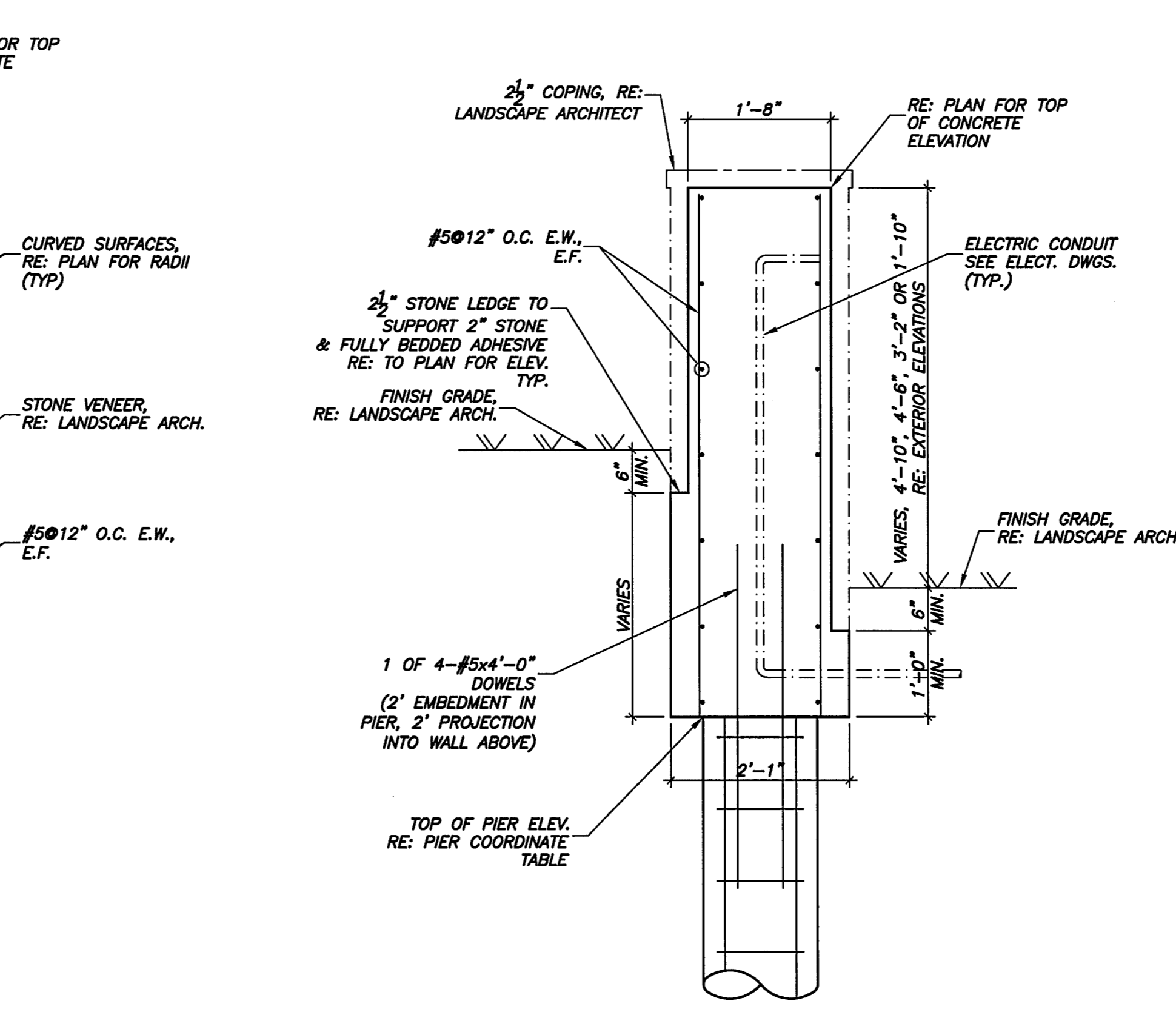


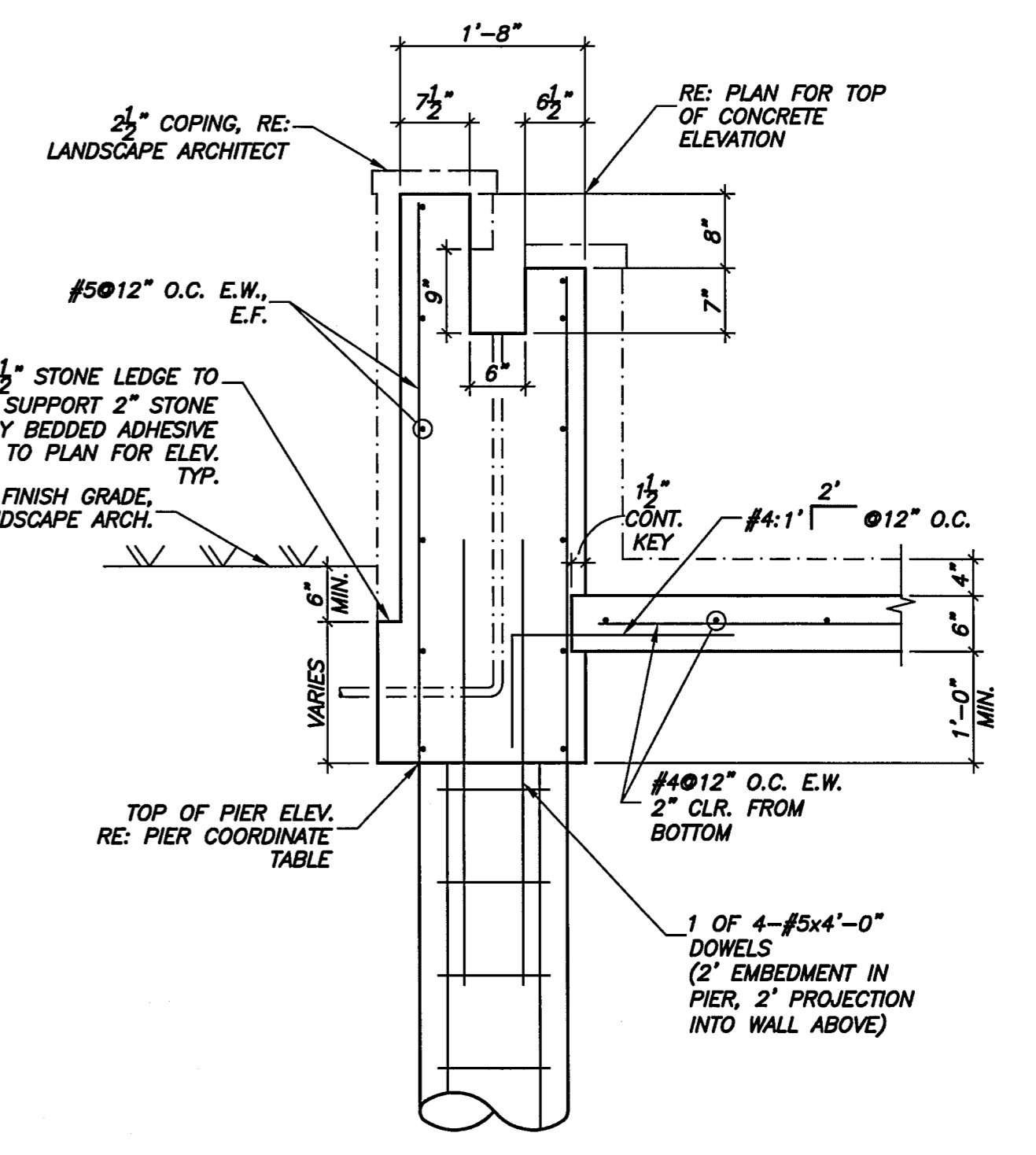
01 TYPICAL PIER DETAIL
3/4"=1'-0"



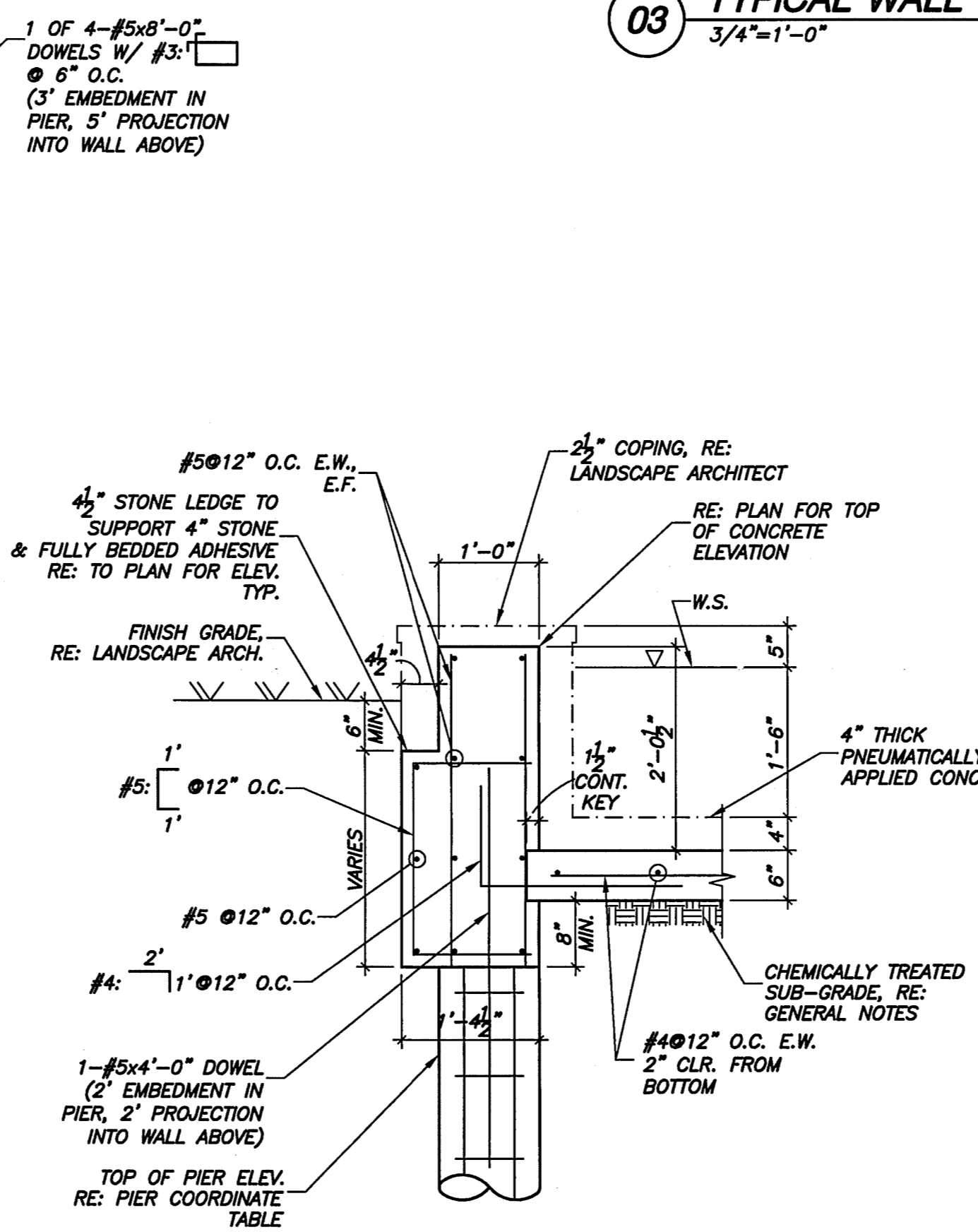
02 MONOLITH SECTION
3/4"=1'-0"



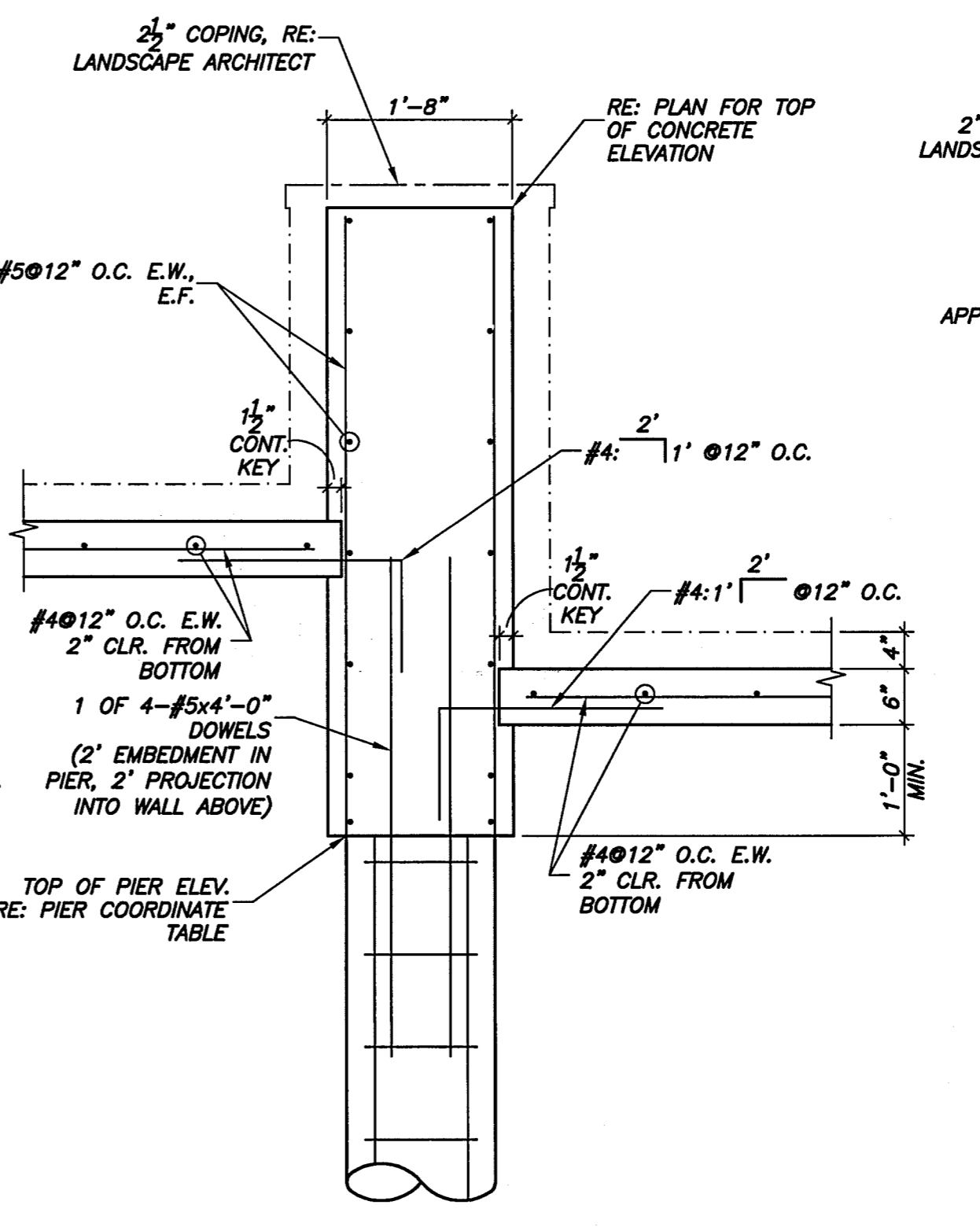
03 TYPICAL WALL SECTION
3/4"=1'-0"



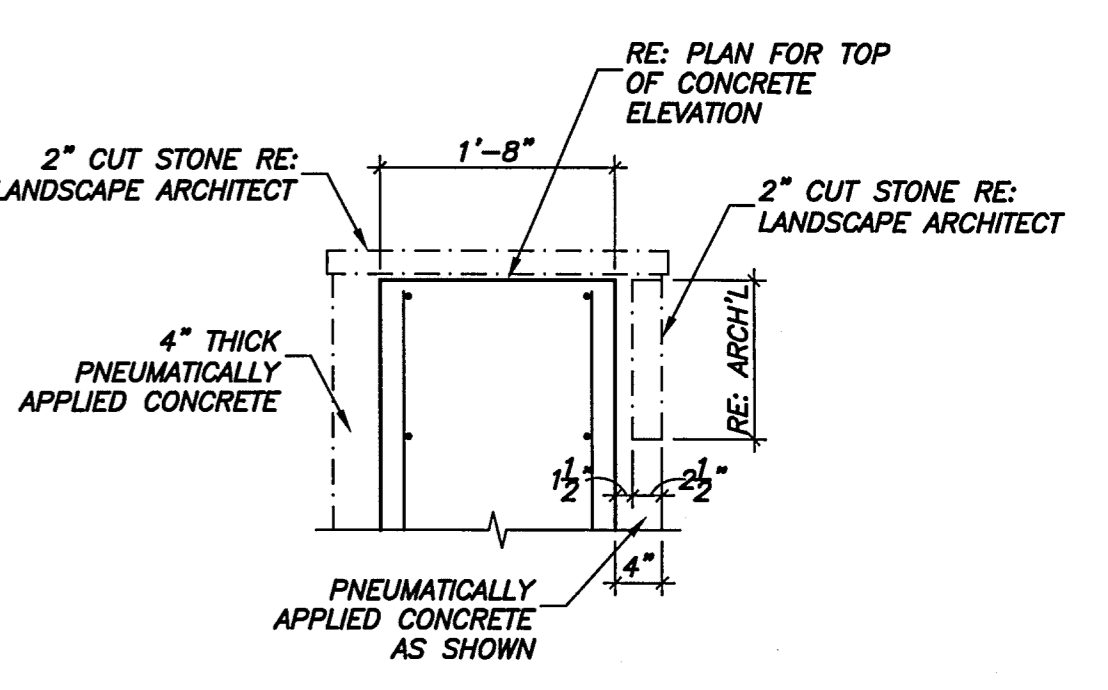
04 TYPICAL WALL SECTION AT CUSTOM WATER TROUGH
3/4"=1'-0"



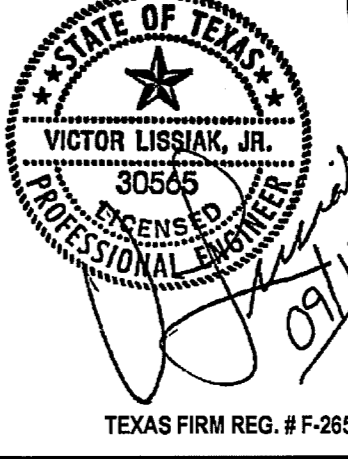
05 TYPICAL REFLECTING POOL SECTION
3/4"=1'-0"



06 TYPICAL WALL SECTION BETWEEN REFLECTING POOLS
3/4"=1'-0"



07 TYPICAL TOP OF WALL WIER SECTION
3/4"=1'-0"



REVISED: 09/20/10
RE-ISSUED FOR CONSTRUCTION: 09/15/10

SECTIONS						
VITRUVIAN MONUMENT SIGN						
ADDISON, TEXAS						
VIEWTECH, INC.						
4205 BELWAY DR. ADDISON, TX. 75001 (972) 661-8187 FAX (972) 661-8172						
DESIGN	DRAWN	DATE	SCALE	JOB #	SHEET	
VL	RS	09/15/10	1"=1'	2010-125	S4.0	

TEXAS FIRM REG. # F-2658