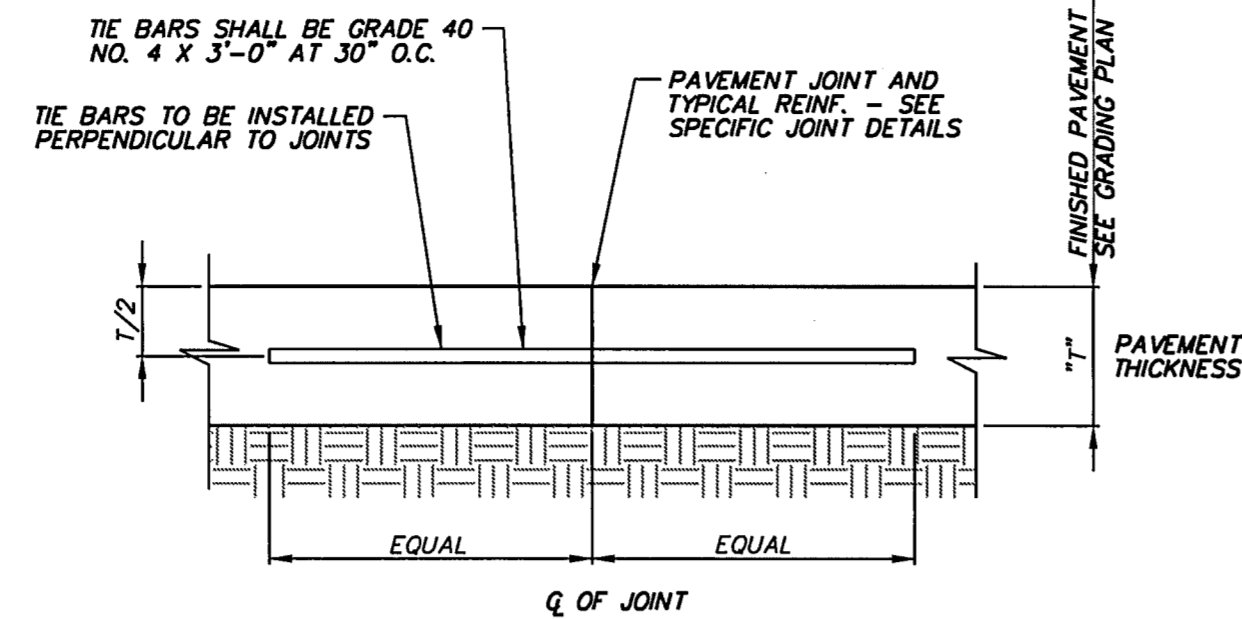
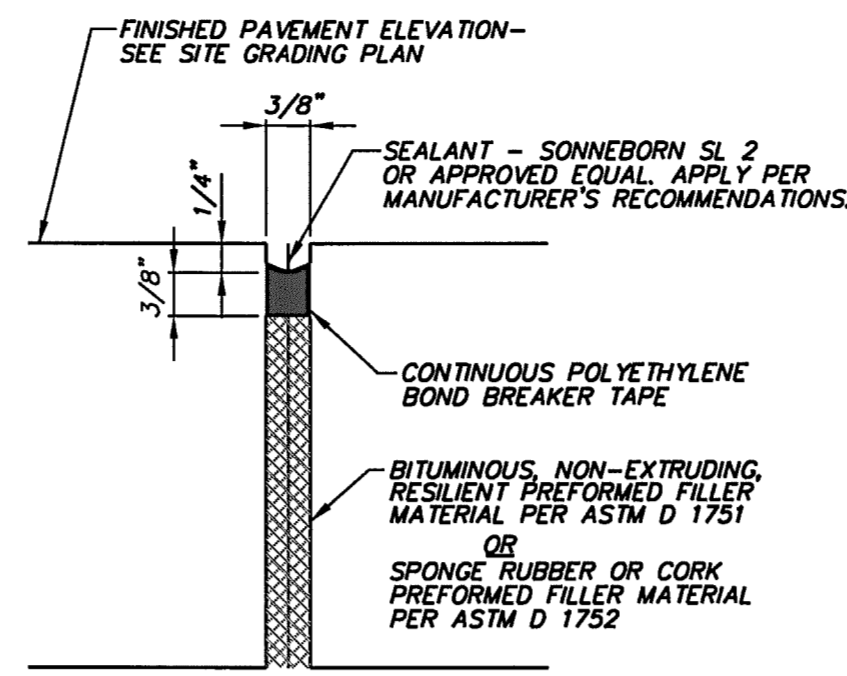


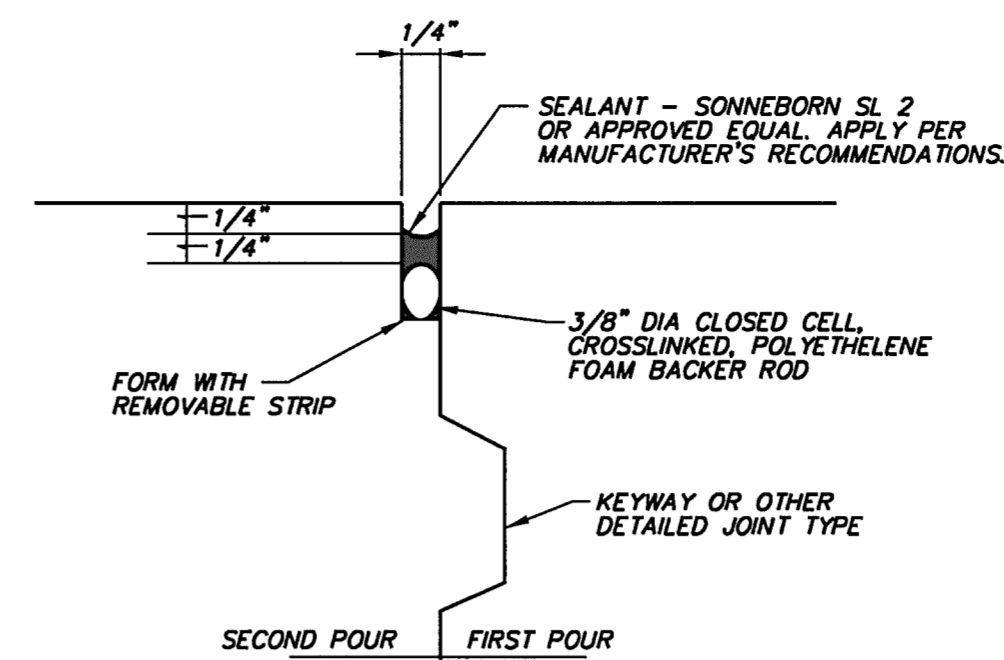
**EXPANSION / ISOLATION JOINT AT STRUCTURES**  
NOT TO SCALE



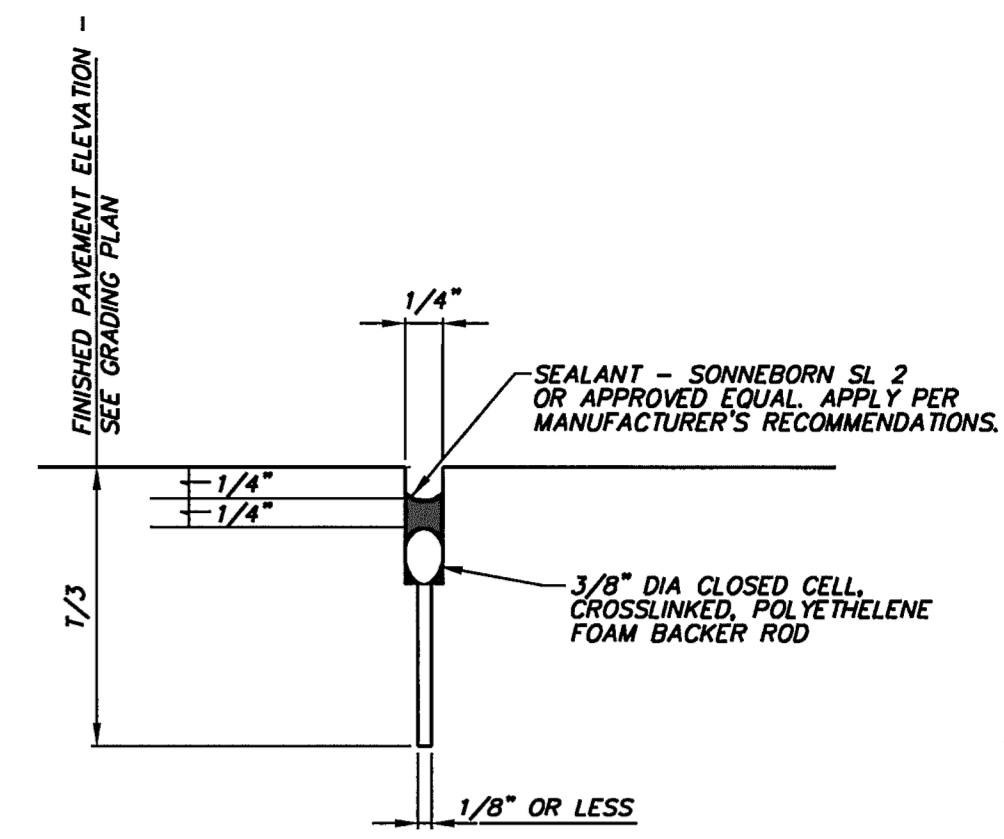
**TIE BAR**  
NOT TO SCALE



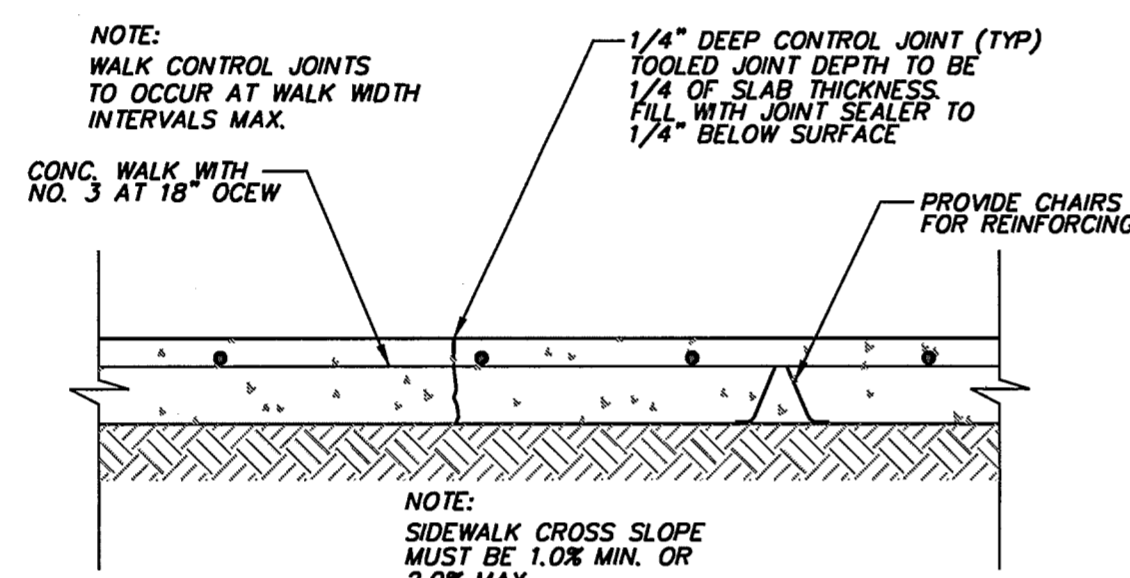
**EXPANSION / ISOLATION JOINT SEALANT**  
NOT TO SCALE



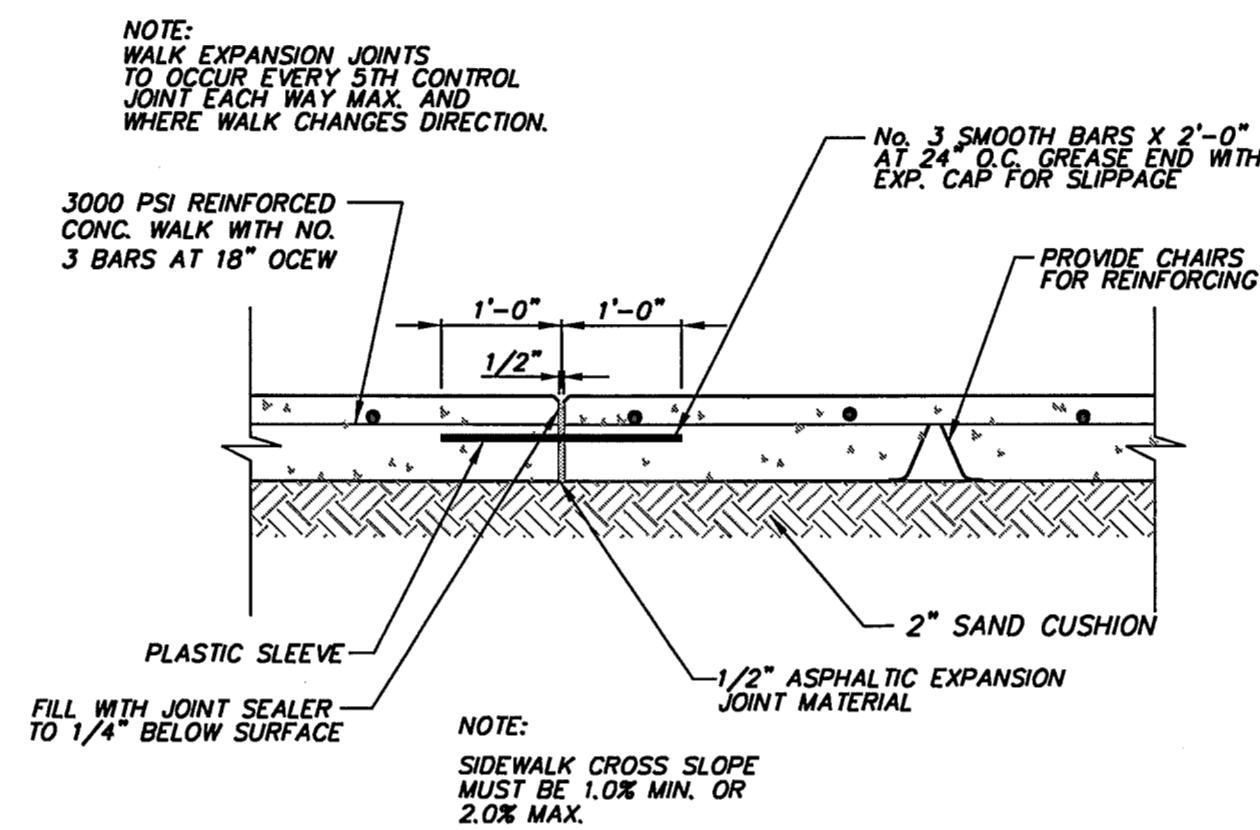
**CONSTRUCTION JOINT SEALANT**  
NOT TO SCALE



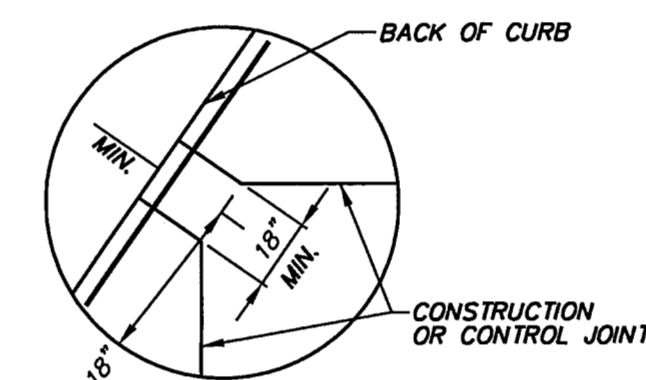
**SAWED CONTROL JOINT SEALANT**  
NOT TO SCALE



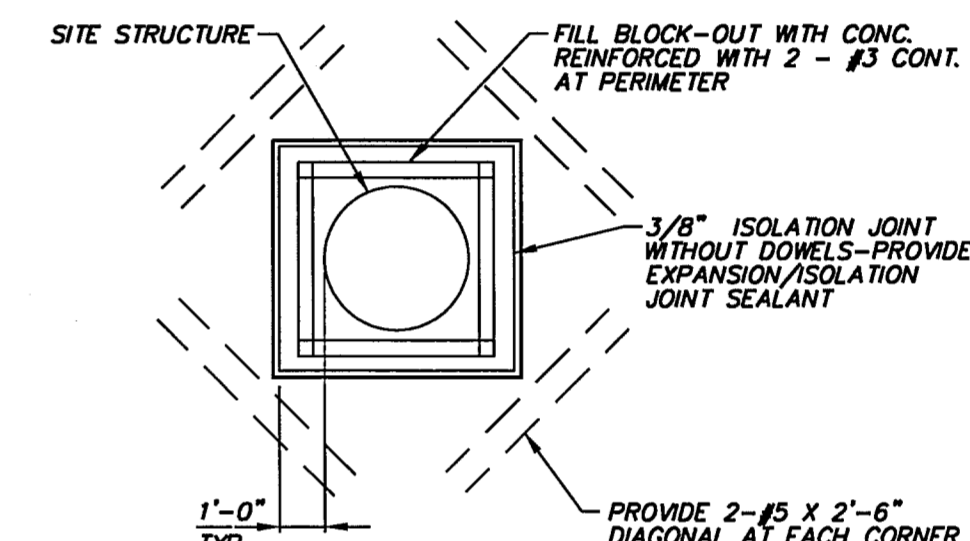
**SIDEWALK CONTROL JOINT**  
NOT TO SCALE



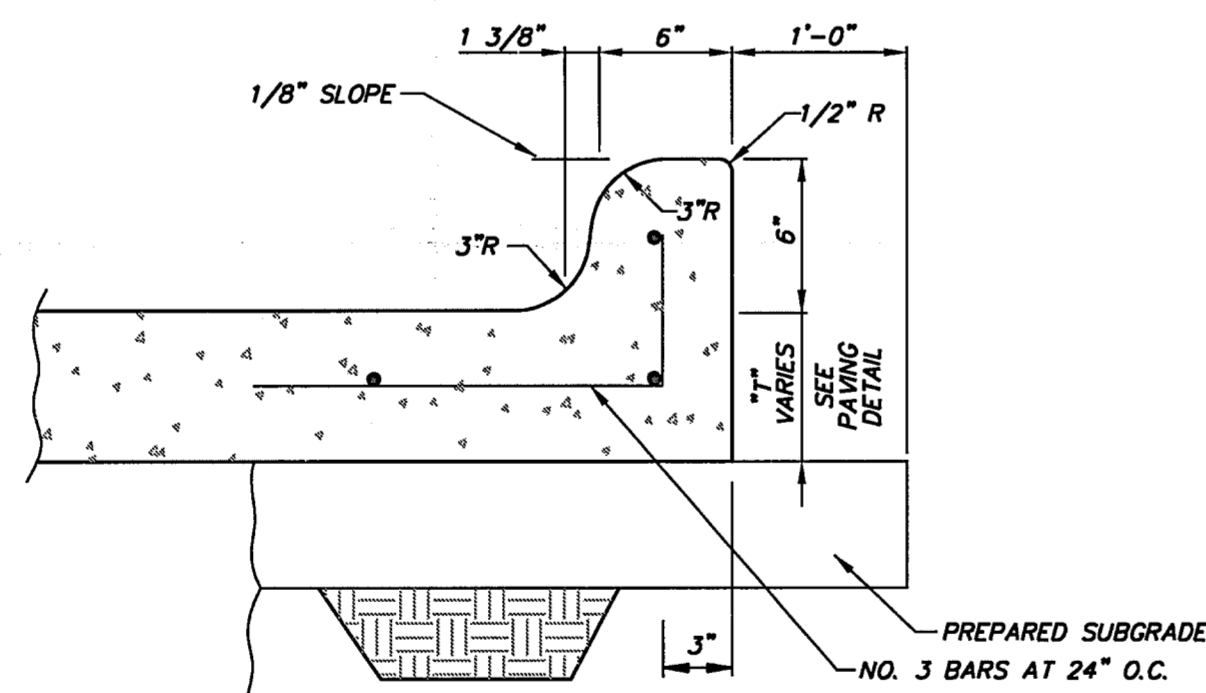
**SIDEWALK EXPANSION JOINT**  
NOT TO SCALE



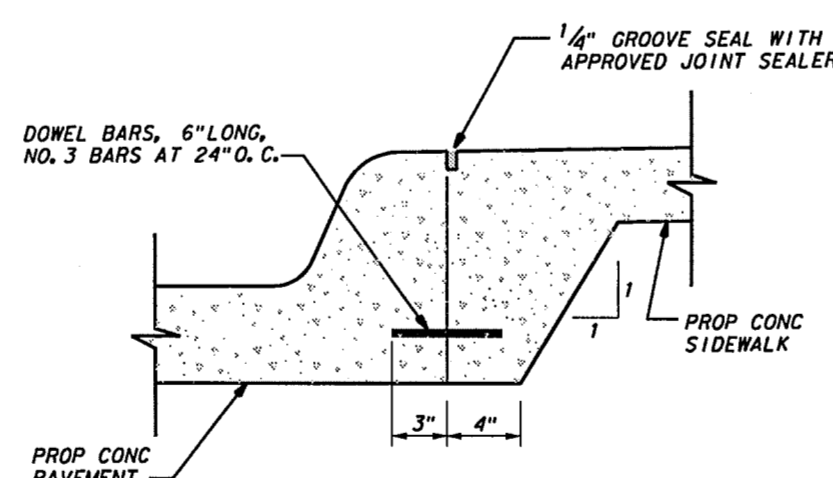
**TYPICAL AT ALL ANGLED JOINT TERMINATIONS**  
NOT TO SCALE



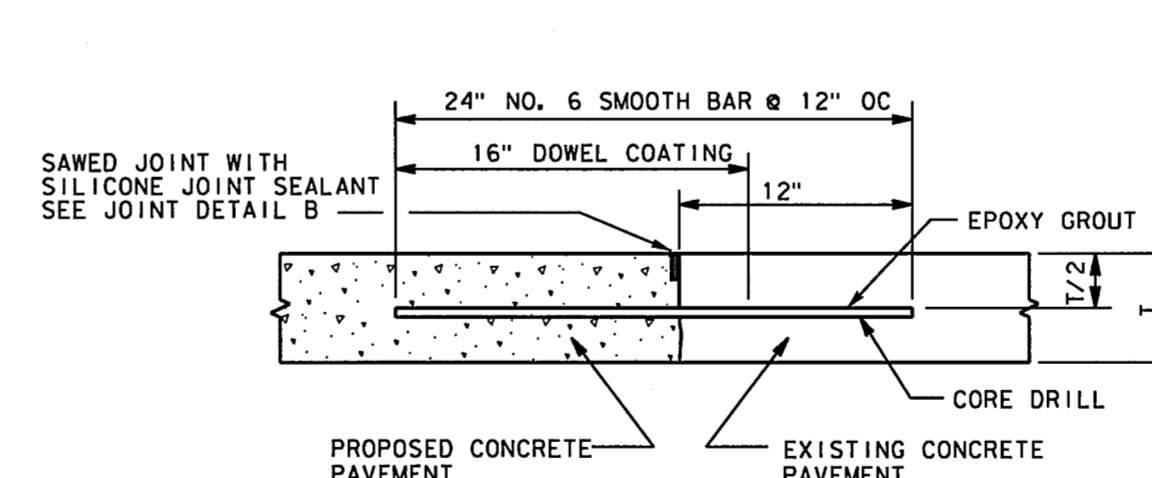
**JOINT TREATMENT AT SITE STRUCTURES**  
NOT TO SCALE



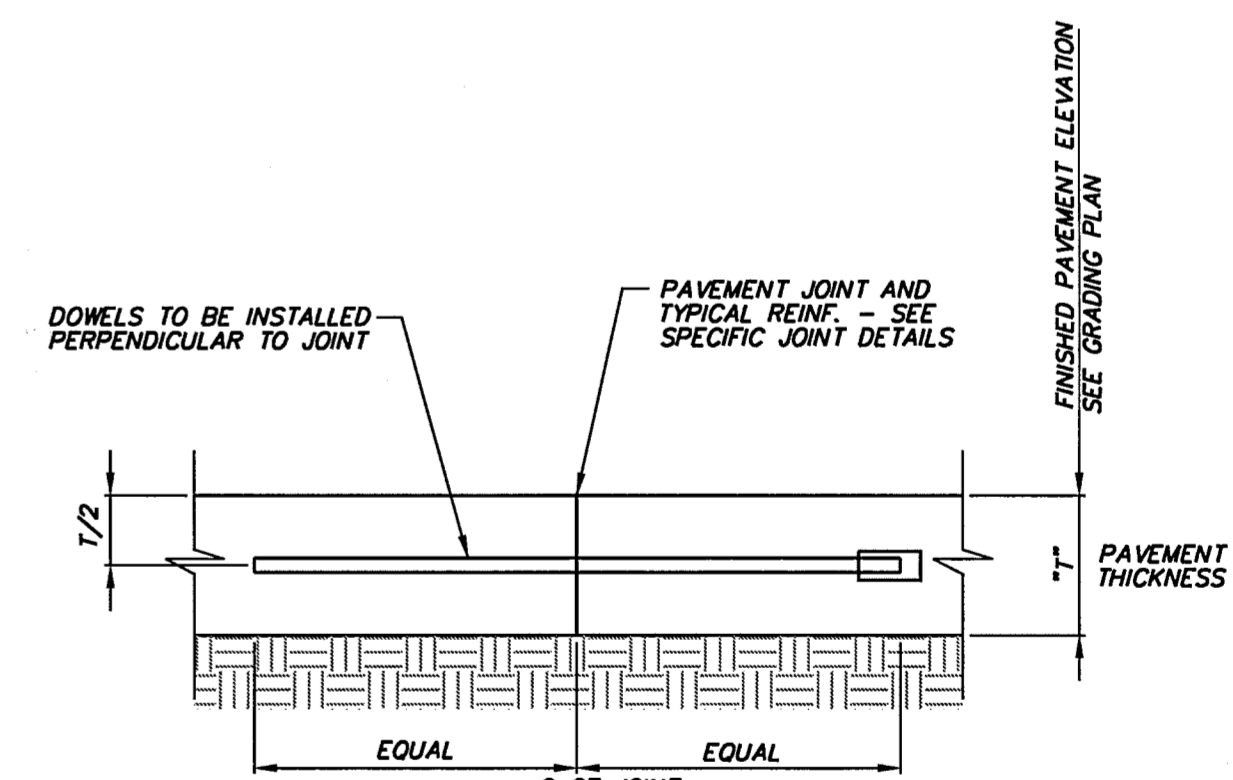
**6\"/>**



**JOINT DETAIL FOR SIDEWALK ADJACENT TO CURB**  
NOT TO SCALE



**PROPOSED TO EXISTING CONCRETE PAVEMENT**  
NOT TO SCALE



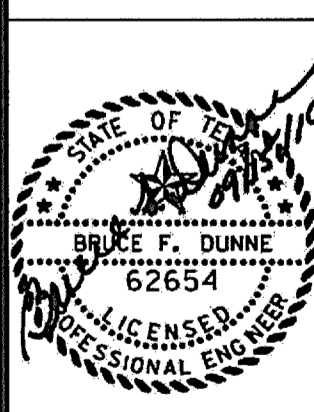
**SMOOTH DOWEL**  
NOT TO SCALE

DATE	07/01/10
BY	ICE
REVISION	
1	ISSUED FOR CONSTRUCTION
2	REVISED FOR CONSTRUCTION

**icon**  
Consulting Engineers, Inc.  
Civil Engineers - Designers - Planners  
Bionterminal Financial Center  
250 W. Southlake Blvd., Suite 117  
Southlake, TX 76092  
Phone: (817) 592-8210  
Fax: (817) 592-3126

**PAVING DETAILS**

Vitruvian Park  
Monument Sign South  
Vitruvian Way & Marsh Lane  
Addison, Texas



Date: 07/01/10  
Scale: 1"=20'  
Drawn By: ICE  
Reviewed By: ICE  
Project: 5019-07