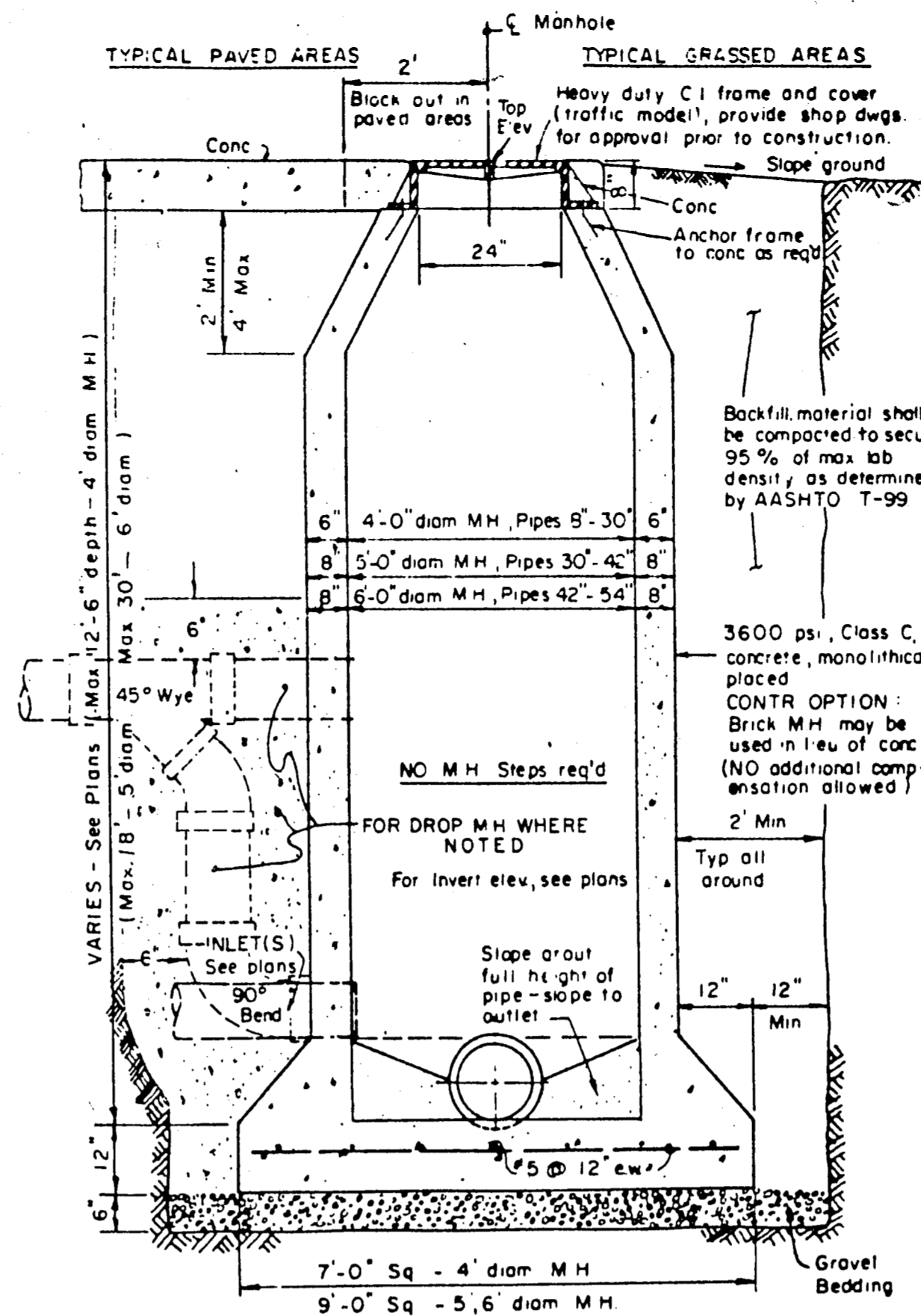
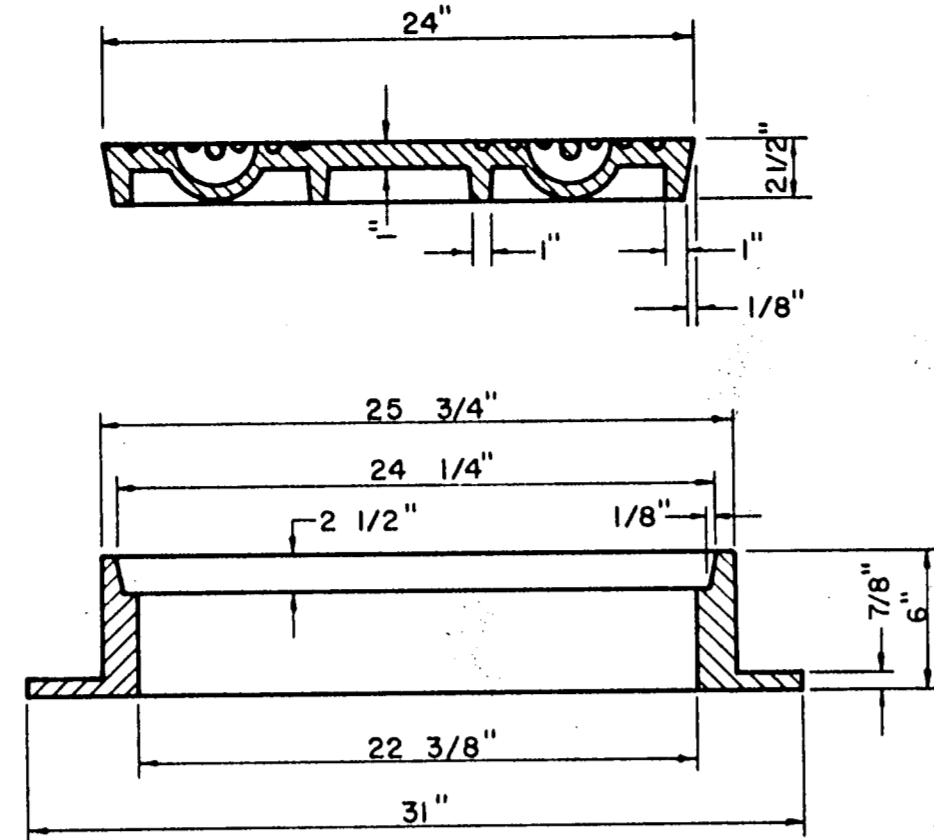


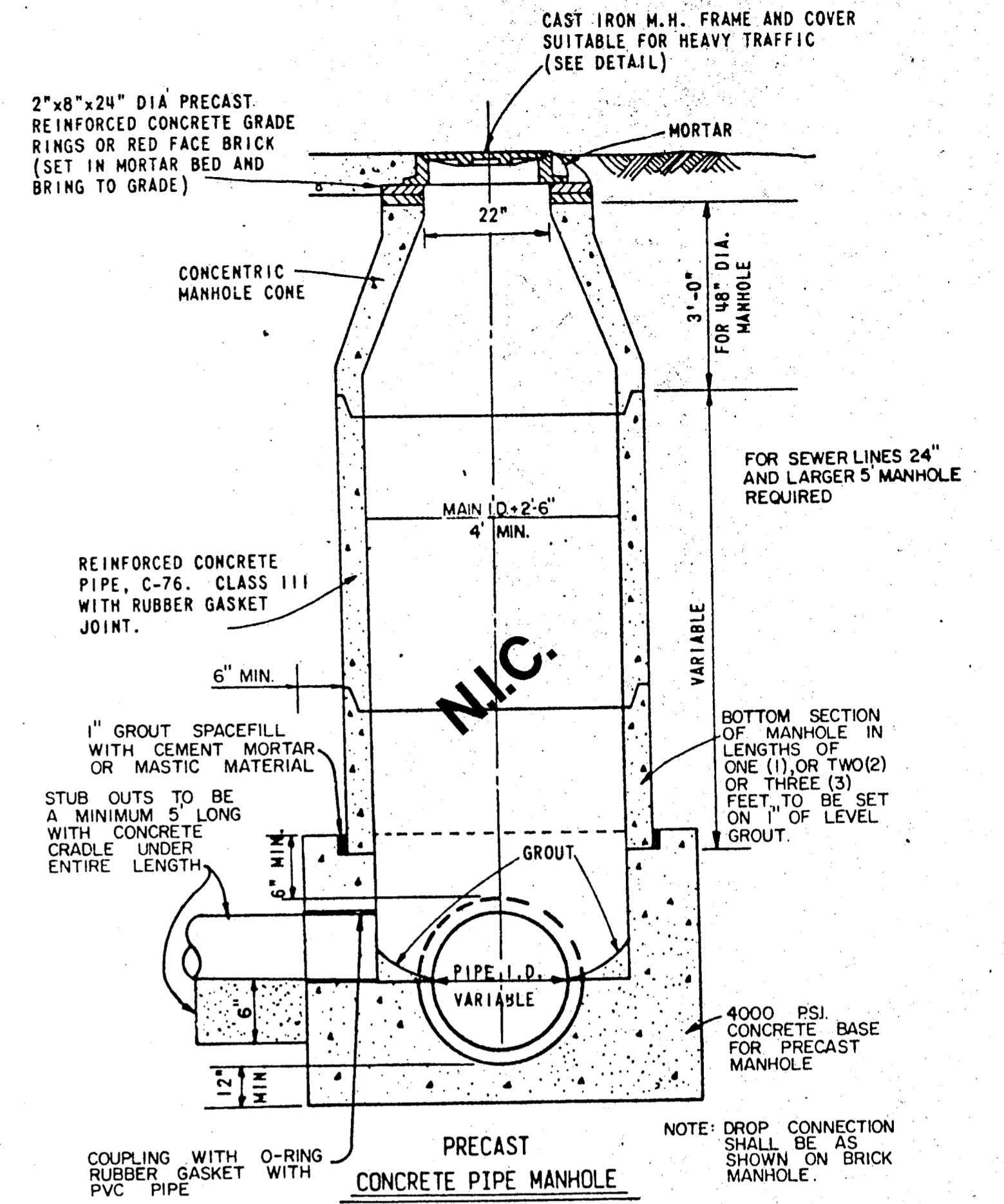
APPROX. WEIGHT RING AND COVER 385 LBS.

**CAST IRON GRATE AND FRAME DETAIL**

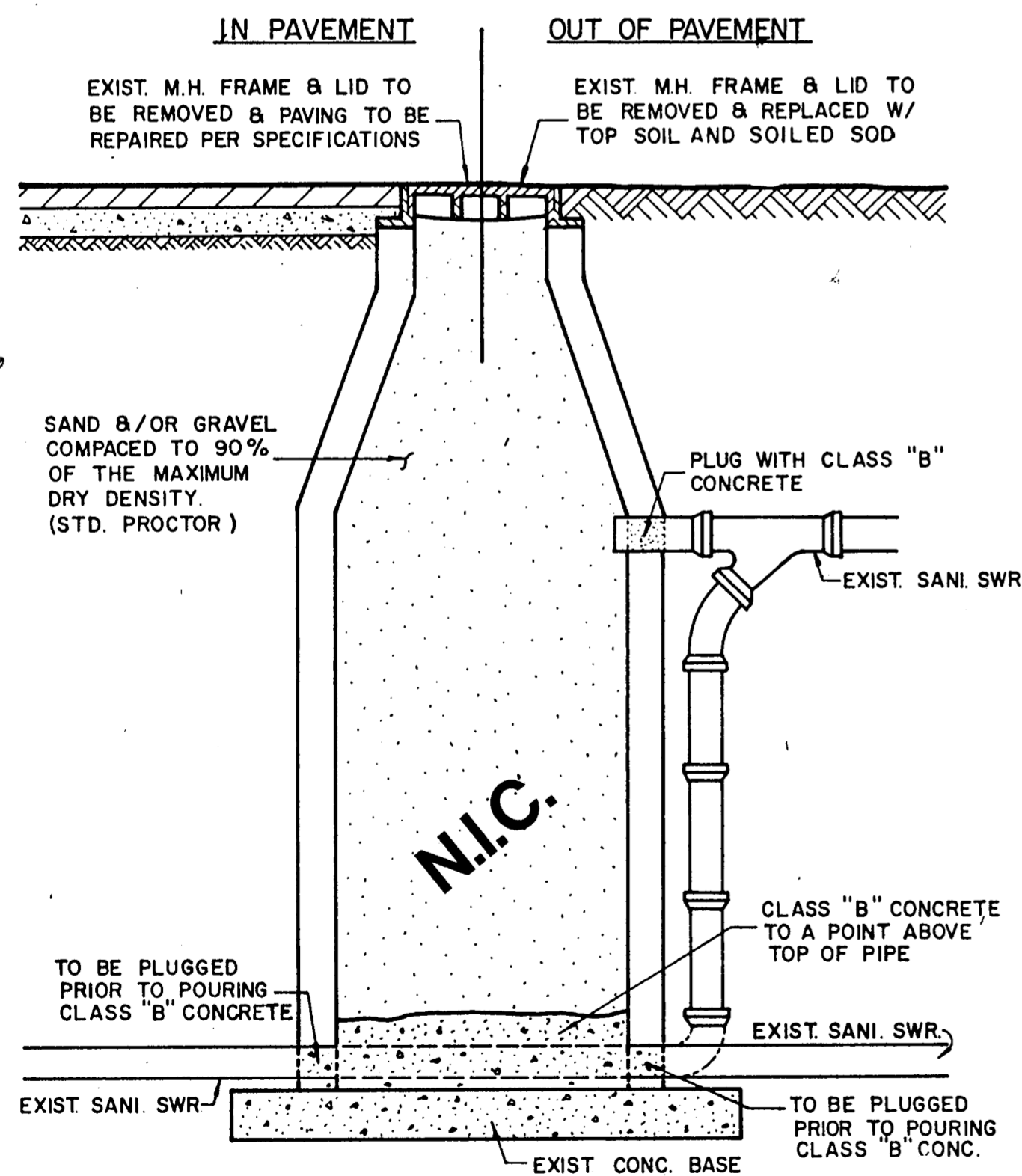


**CAST IN PLACE MANHOLE**

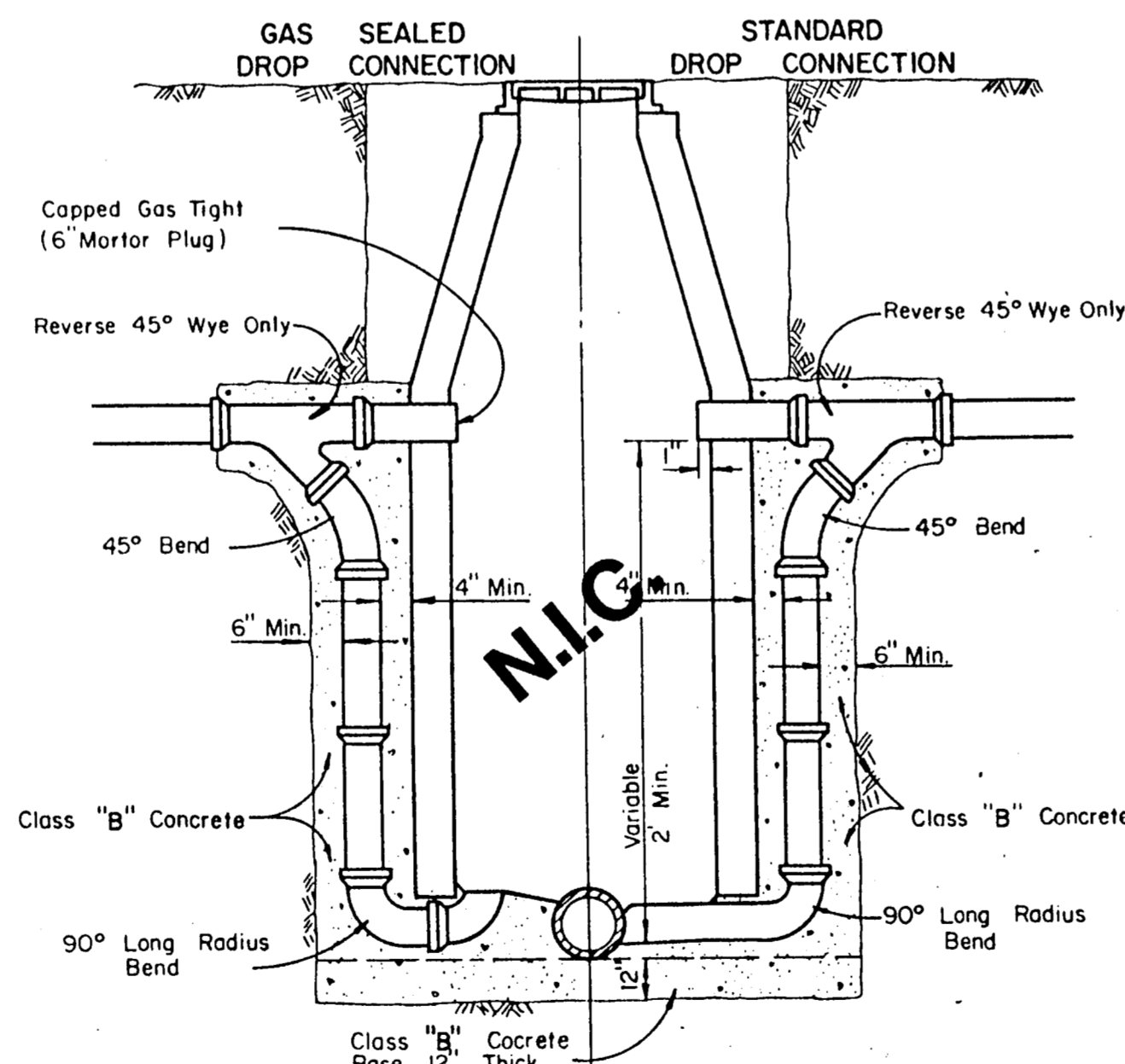
WHERE DROP M.H. IS REQUIRED, USE INSIDE DROP CONNECTION AS PER TOWN OF ADDISON STANDARDS.



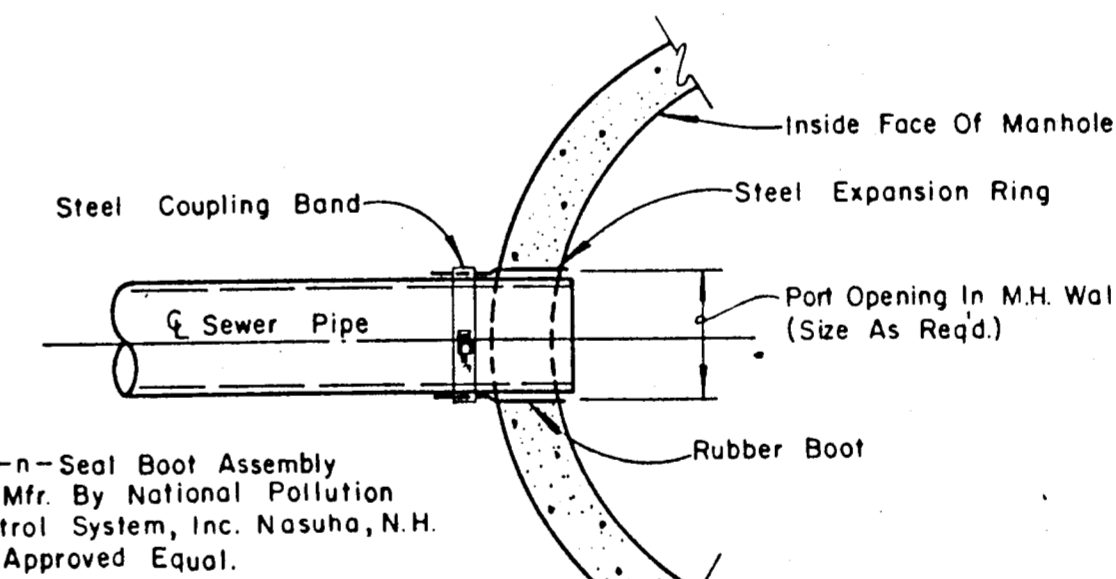
**PRECAST MANHOLE**



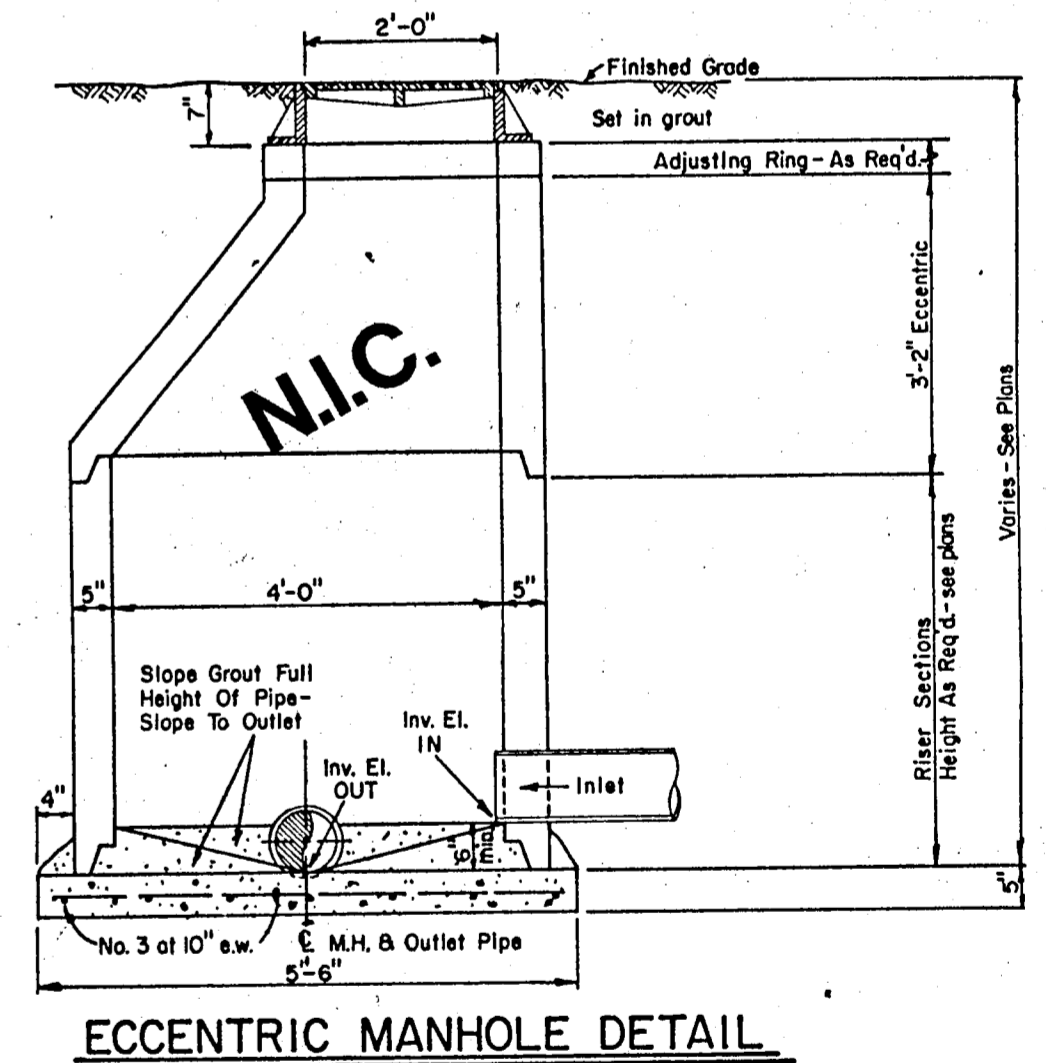
**ABANDONMENT OF EXISTING MANHOLE IN AND OUT OF PAVEMENT**



**DROP CONNECTIONS FOR SANITARY SEWER MANHOLES**



**TYPICAL SEWER CONNECTION AT MANHOLE**



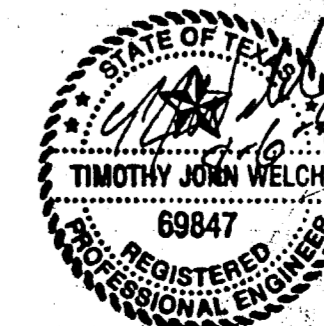
**ECCENTRIC MANHOLE DETAIL**

NOTE: Contractor To Install Kor-n-Seal Boot Assembly Per Mfr. Recommendations In A Neat And Workman-Like Manner.

CLASS B Conc. - 2000psi at 28 days (Compressive)

AS BUILTS

I CERTIFY THIS PROJECT WAS CONSTRUCTED IN GENERAL CONFORMANCE WITH THESE CONSTRUCTION PLANS AND WILL FUNCTION AS DESIGNED.



TOWN OF ADDISON, TEXAS DEPARTMENT OF ENGINEERING			
STANDARD CONSTRUCTION DETAILS SANITARY SEWER			
MANHOLES AND CONNECTIONS			
Designed -	Drawn -	Date - AUGUST, 1991	Job No. - 90025-5
Approved -	Checked -	Scale -	Sheet D-6 Of