

STREET TYPE	STREET WIDTH (W)	A	B	ROW WIDTH	P
COLLECTOR	36'	8'	10'	60'	11.5'
COLLECTOR	44'	8'	10' OR 12'	60'	9.5'
COLLECTOR	44'	11'	11'	65'	10.0'

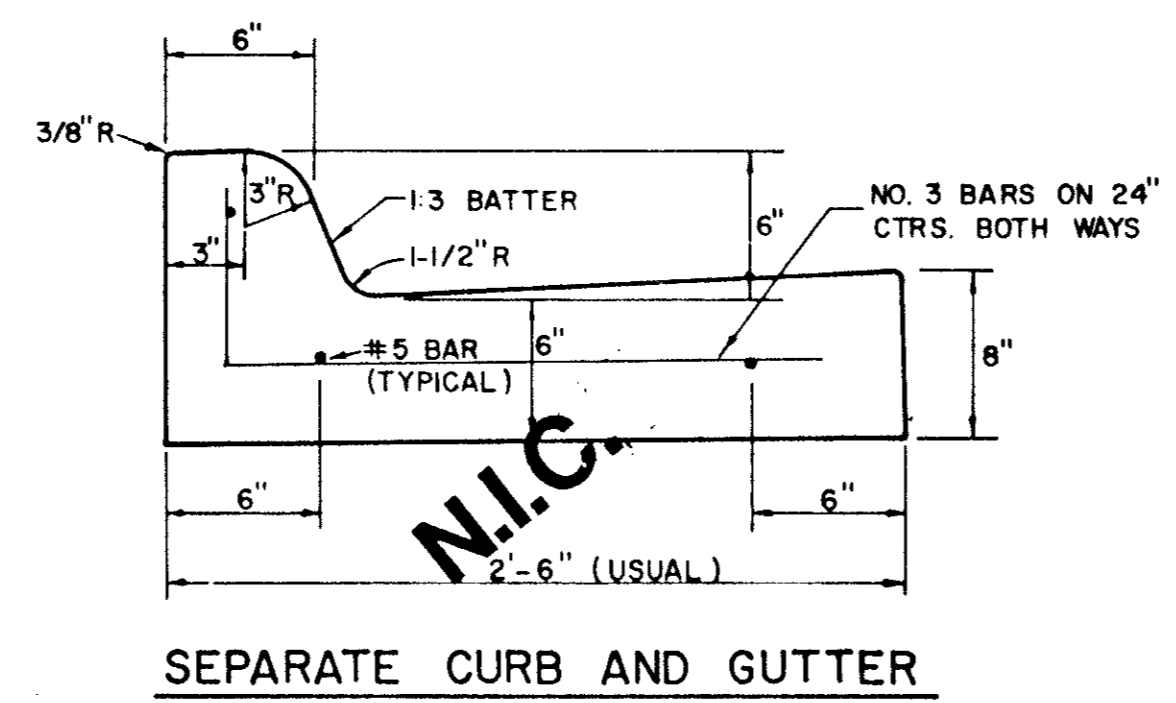
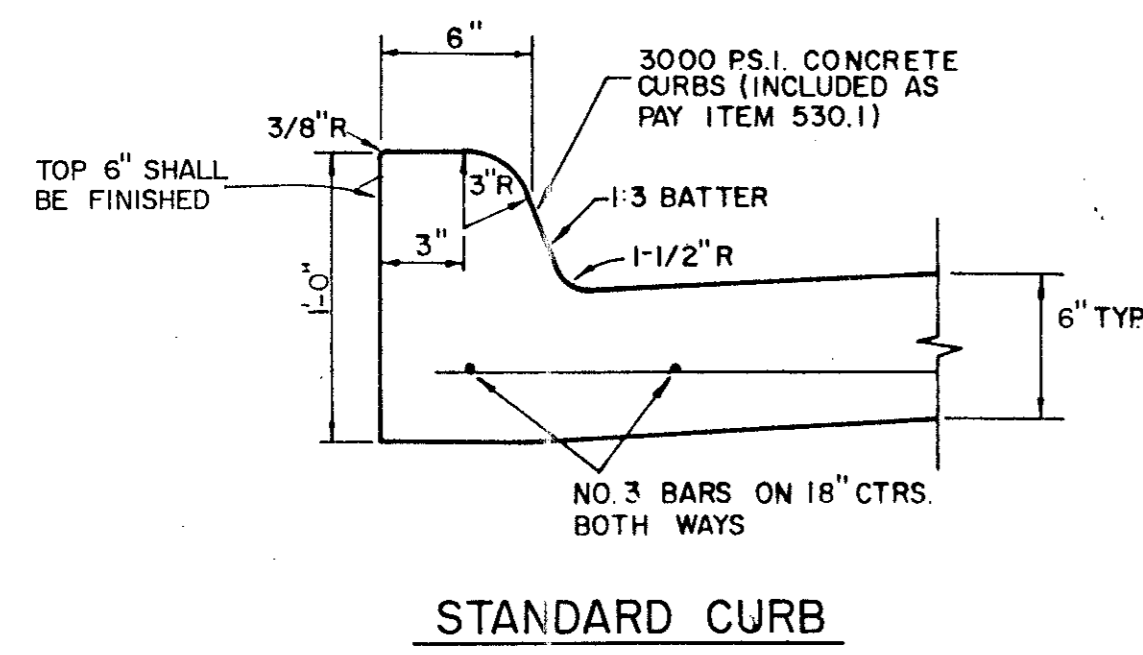
* FULL WIDTH PAVEMENT OF 36' WIDTH STREETS IS ALLOWED WHERE APPROVED BY THE ENGINEER.

REINFORCED CONCRETE PAVEMENT

ALL REINFORCING BARS SHALL BE NO.3 TRANSVERSE BARS TO BE SPACED ON 1'-6" CENTERS, LONGITUDINAL BARS TO BE SPACED ON 1'-6" EXCEPT WHERE NOTED.
 UNDIVIDED STREETS-PROVIDE 4" DBL.-REF YELLOW & BUTTON P-117-Y PATTERNS TO BE ESTABLISHED BY ENGINEER SEE DETAIL SHEET
 ① SAWED LONGITUDINAL DUMMY JOINT.
 ② CONSTRUCTION JOINT (FULL WIDTH PVMT IS ALLOWED WHERE APPROVED BY ENGINEER.
 ③ FINISH SHALL BE TRANSVERSE WITH TRAFFIC LANES AND SHALL BE STEEL TINED BROOM FINISH.

* OPTIMIZE LIME CONTENT BASED ON A LIME/PH CURVE PH SHOULD BE APPROX. 12.43. TEST SHALL BE CONDUCTED BY A QUALIFIED GEOTECHNICAL FIRM PROVIDED BY THE DEVELOPER. TEST RESULTS SHALL BE PROVIDED TO THE CITY. SEPARATE TEST ARE REQUIRED WHEN SUBGRADE CONDITIONS CHANGE.

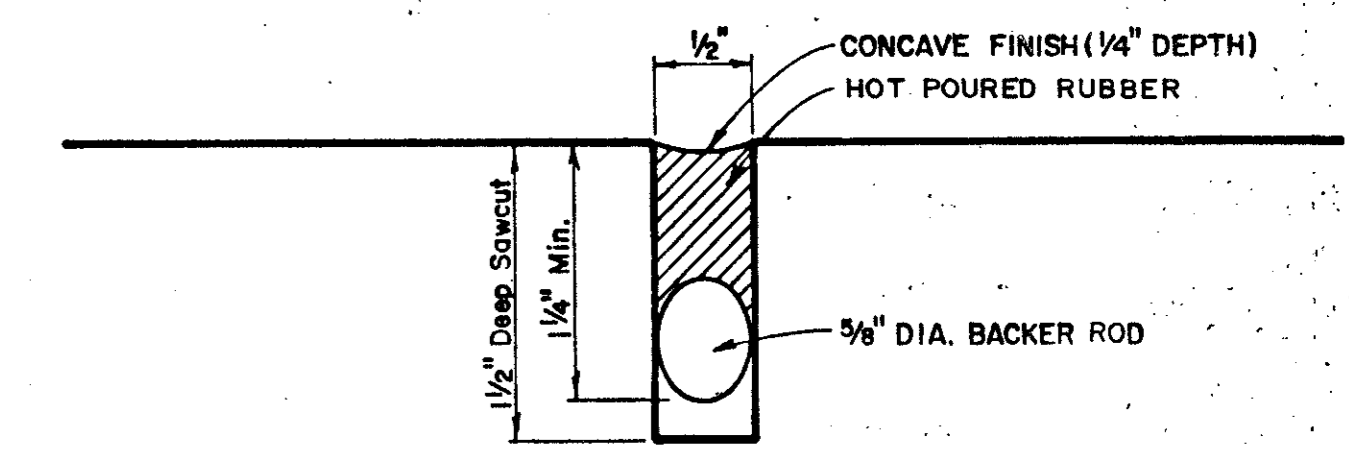
- GENERAL NOTES**
- A. GENERAL PAVEMENT THICKNESS FOR STREETS SHALL BE AS SPECIFIED BELOW IN SPECIAL NOTES.
 - B. STANDARD SPECIFICATIONS REINFORCED CONCRETE PAVEMENTS
 1. ALL CURBS SHALL BE PLACED INTEGRAL WITH PAVEMENT
 2. CURBS SHALL MEET THE SAME COMPRESSIVE STRENGTH AS SPECIFIED FOR THE CONCRETE PAVEMENT.
 3. DETAIL AND ARRANGEMENT OF JOINTS, ALL TYPES, SHALL BE AS SHOWN ON THE STANDARD CONSTRUCTION DETAILS, OR AS APPROVED BY ENGINEER.
 4. BAR LAPS SHALL BE 30 DIAMETERS.
 - C. BAR CHAIRS OR AN APPROVED SUPPORTING DEVICE SHALL BE FURNISHED.



AS BUILTS

ROADWAY WIDTH (W)	TOTAL CROWN HEIGHT	3/4 POINT	MID-POINT	1/4 POINT
26'	6"	3 - 3/8"	1 - 1/2"	3/8"
36'	6"	3 - 3/8"	1 - 1/2"	3/8"
44'	6"	3 - 3/8"	1 - 1/2"	3/8"
48'	6"	3 - 3/8"	1 - 1/2"	3/8"

TABLE OF CROWN HEIGHTS AND ORDINATES FOR VARIOUS PARABOLIC SECTIONS



TOWN OF ADDISON, TEXAS
 DEPARTMENT OF ENGINEERING
STANDARD CONSTRUCTION DETAILS PAVING
STREET CROWNS & JOINTS

Designed -	Drawn -	Date - AUGUST, 1991	Job No. - 90025-6
Approved -	Checked -	Scale -	Sheet D-1 Of

I CERTIFY THIS PROJECT WAS CONSTRUCTED IN GENERAL CONFORMANCE WITH THESE CONSTRUCTION PLANS AND WILL FUNCTION AS DESIGNED.