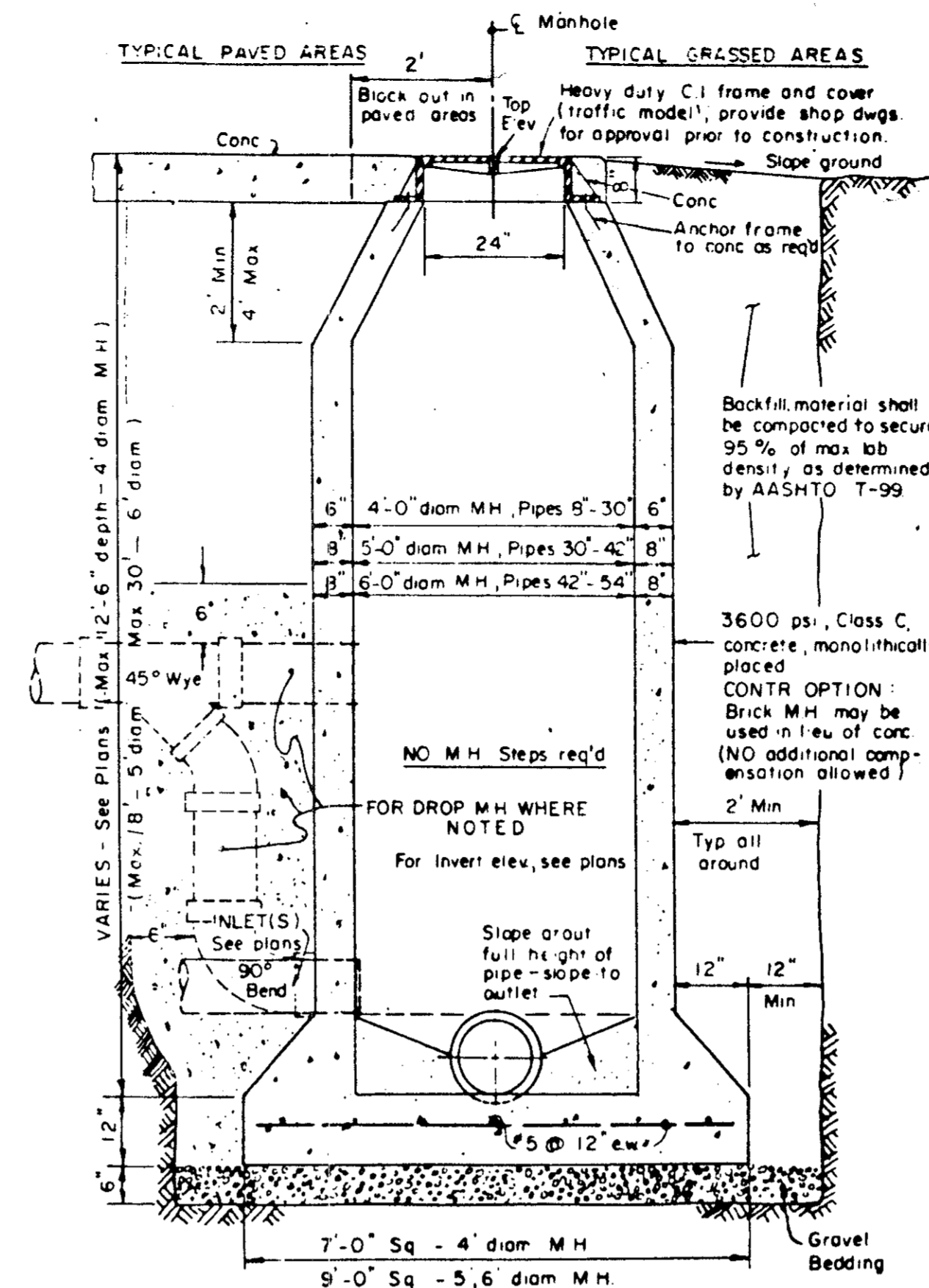
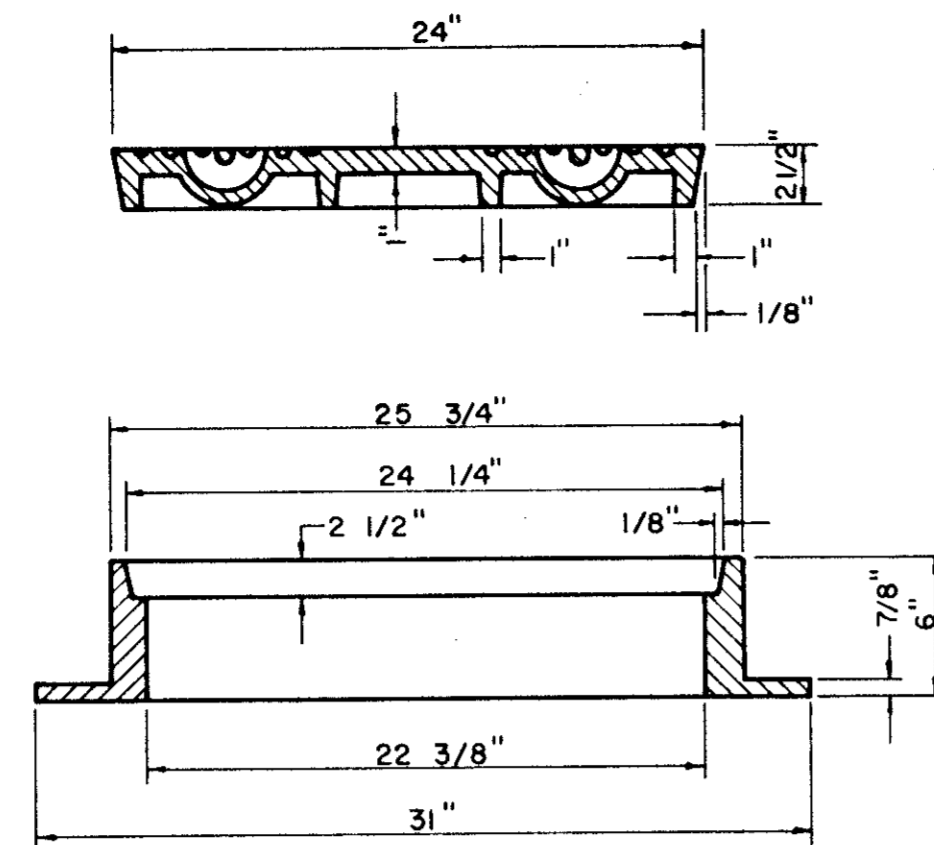


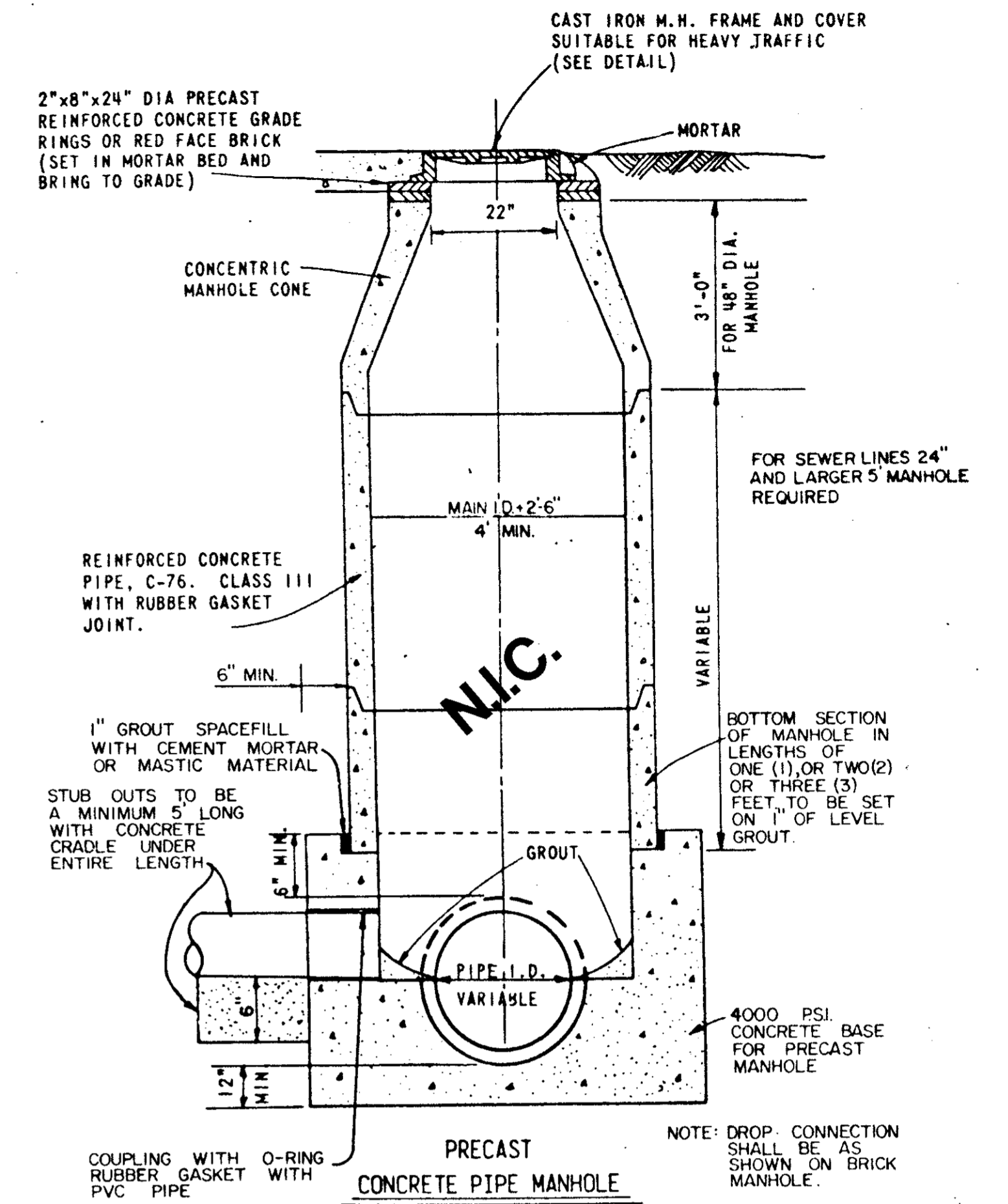
APPROX. WEIGHT
RING AND COVER
385 LBS.

CAST IRON GRATE AND FRAME DETAIL

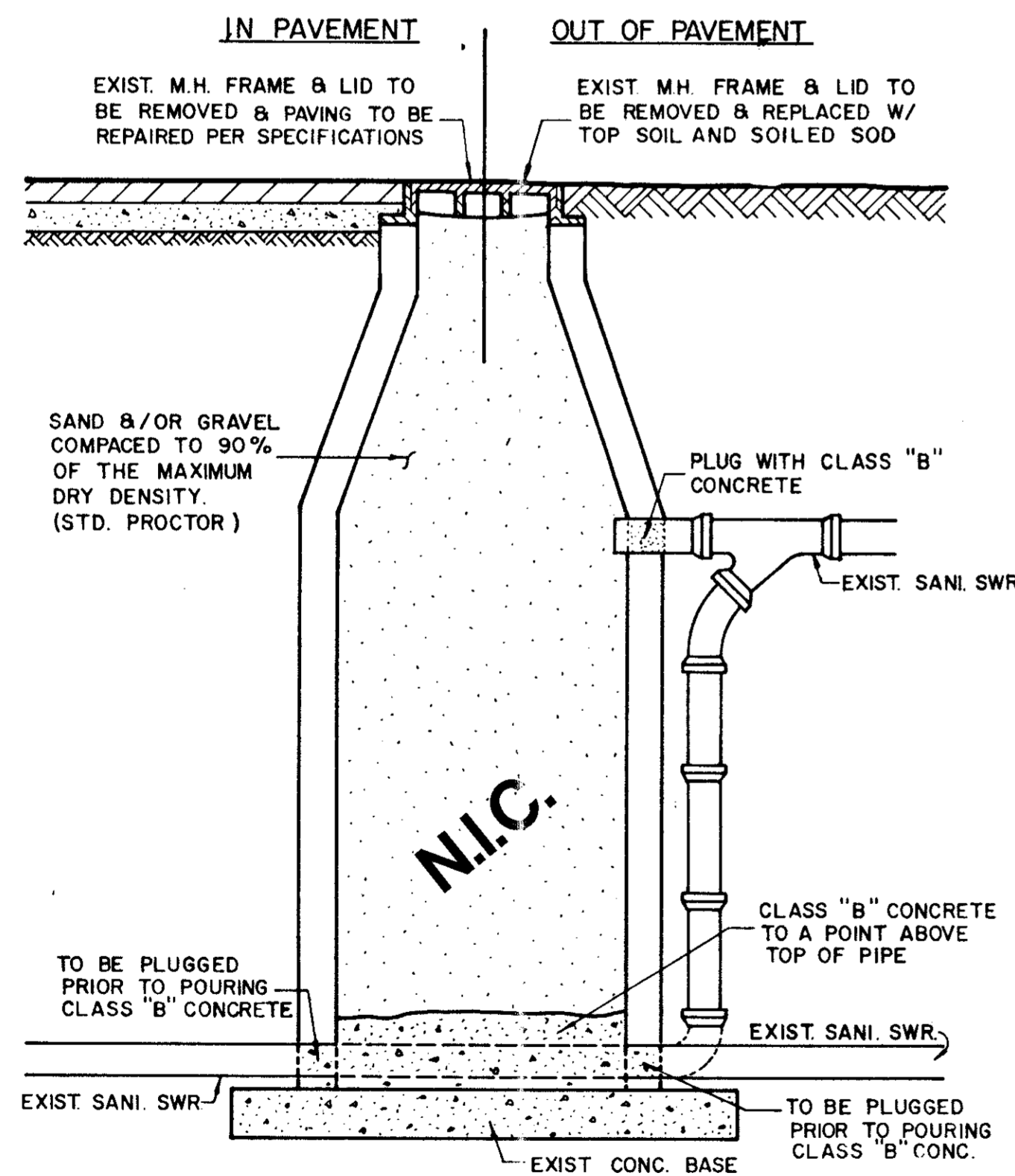


CAST IN PLACE MANHOLE

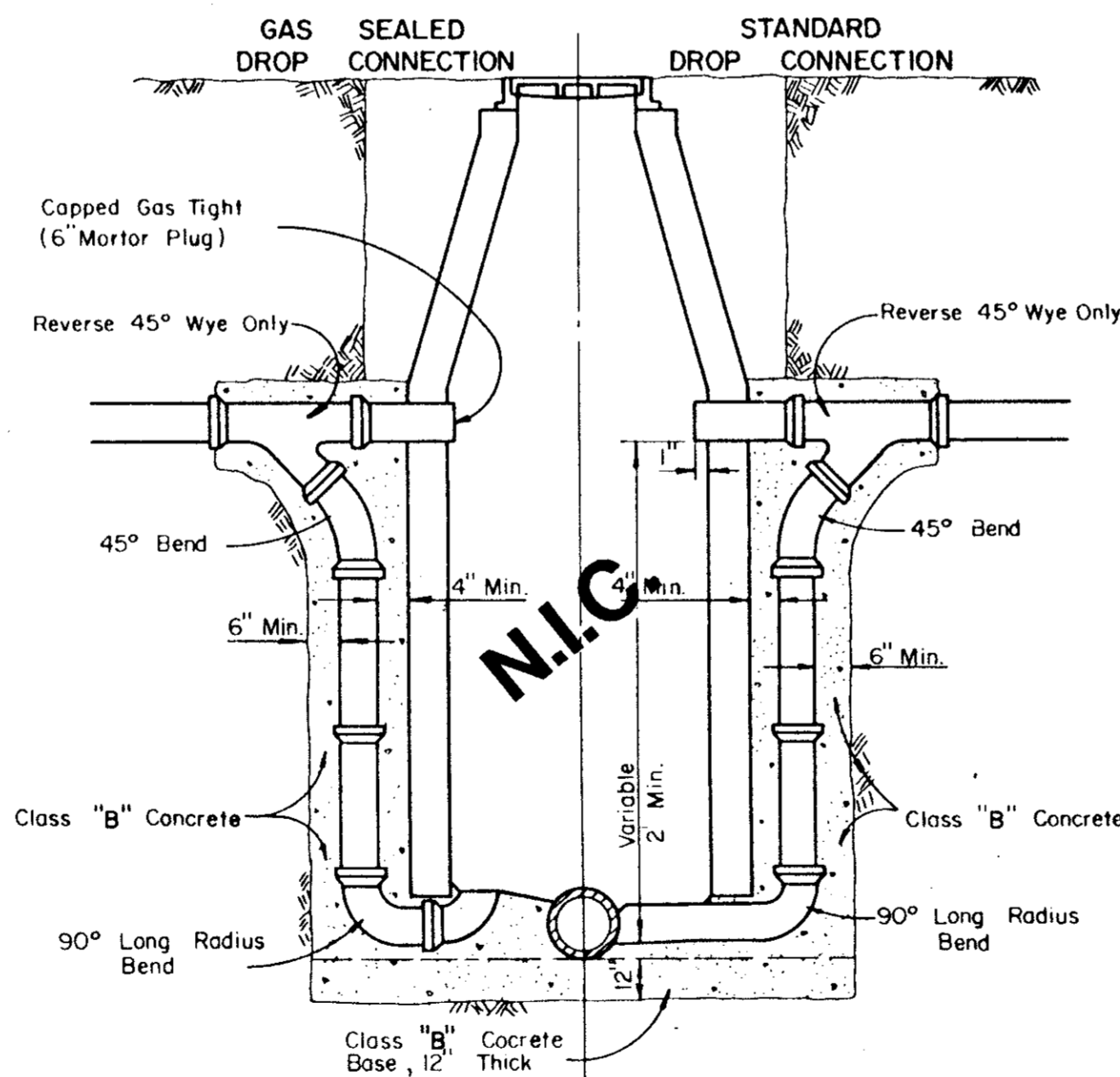
WHERE DROP M.H. IS REQUIRED, USE INSIDE DROP CONNECTION AS PER TOWN OF ADDISON STANDARDS.



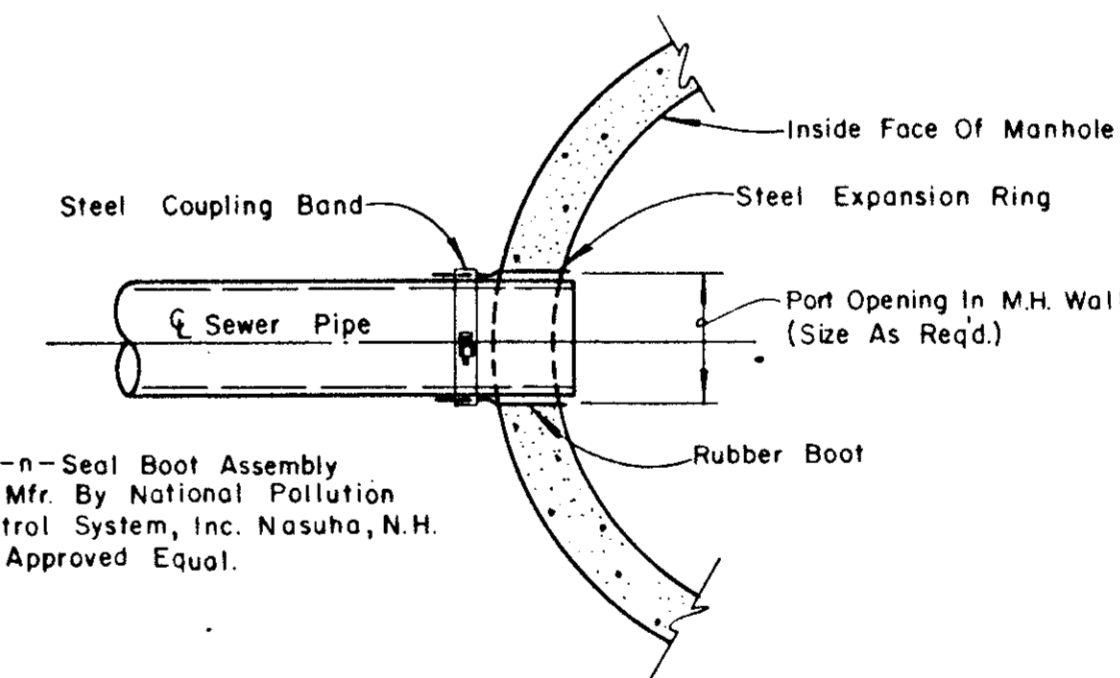
PRECAST MANHOLE



ABANDONMENT OF EXISTING MANHOLE
IN AND OUT OF PAVEMENT



DROP CONNECTIONS FOR
SANITARY SEWER MANHOLES

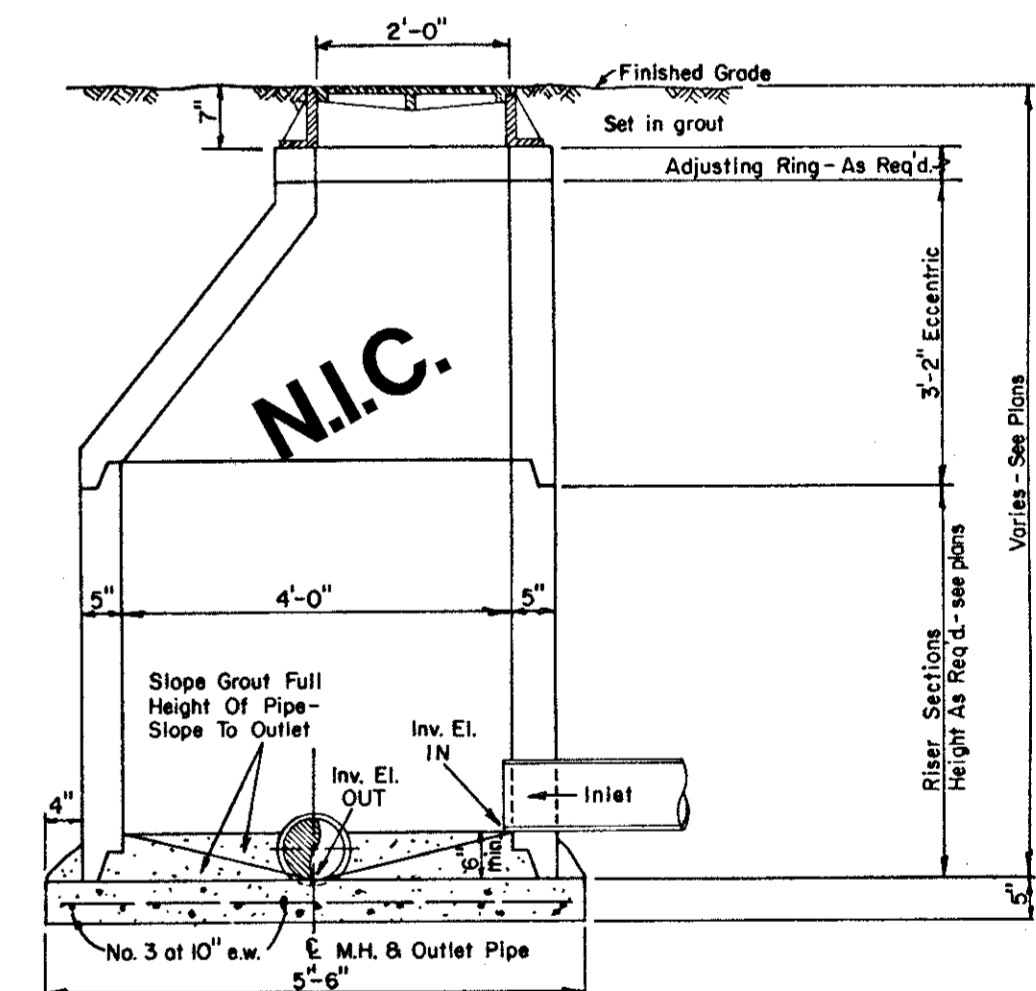


NOTE:
Contractor To Install Kor-n-Seal Boot Assembly Per
Mfr. Recommendations In A Neat And Workman-Like
Manner.

TYPICAL SEWER
CONNECTION AT MANHOLE

AS BUILTS

I CERTIFY THIS PROJECT WAS CONSTRUCTED IN GENERAL CONFORMANCE WITH THESE CONSTRUCTION PLANS AND WILL FUNCTION AS DESIGNED.



ECCENTRIC MANHOLE DETAIL

CLASS B Conc. - 2000psi at 28 days (Compressive)



TOWN OF ADDISON, TEXAS
DEPARTMENT OF ENGINEERING
**STANDARD CONSTRUCTION DETAILS
SANITARY SEWER**

MANHOLES AND CONNECTIONS

Designed -	Drawn -	Date - AUGUST, 1991	Job No. - 99025-6
Approved -	Checked -	Scale -	Sheet D-6 OF