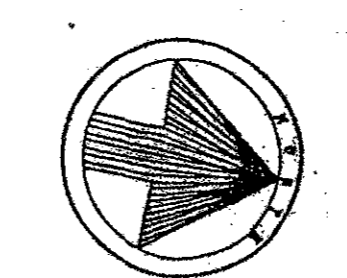
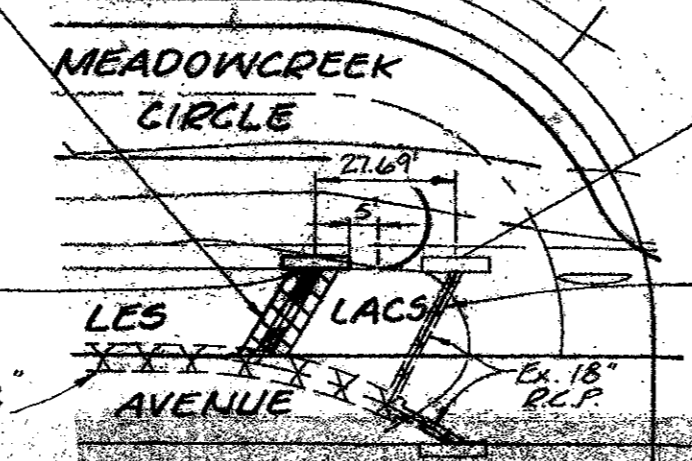
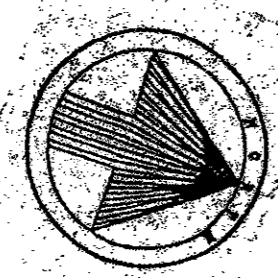


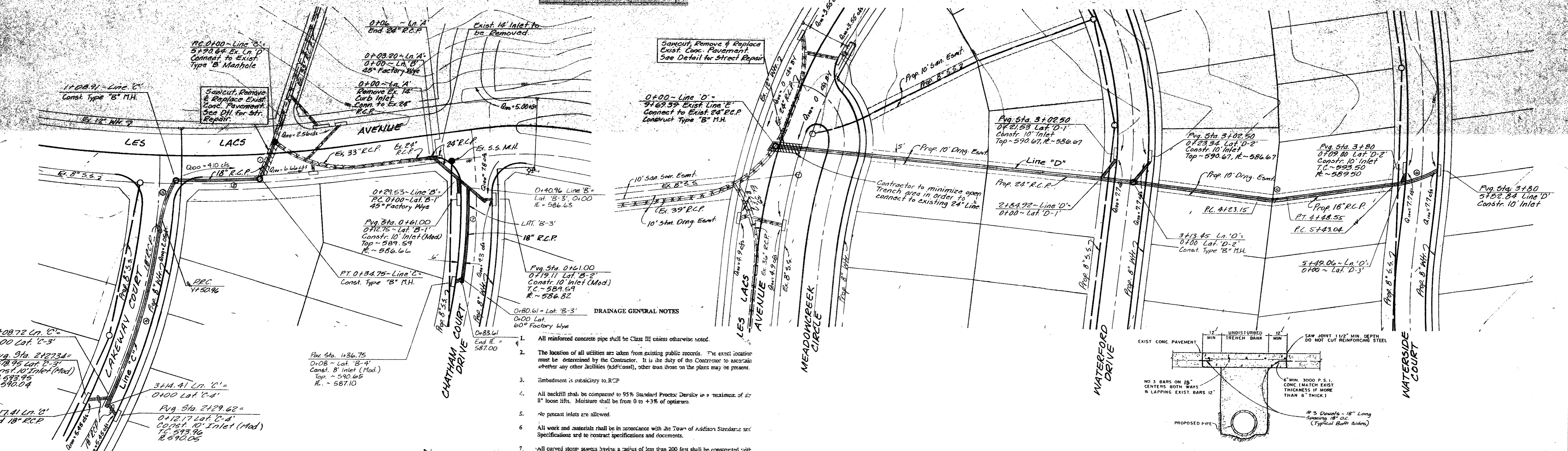
STORM SEWER CURVE DATA

LINE	NO.	A	E	T	L
C	1	6'07.36'	325.00'	17.99'	34.75'
C	2	4'09.34'	101.50'	37.10'	74.16'
C	3	2'40.34'	100.00'	21.94'	47.50'
C	4	1'57.36'	503.00'	83.99'	166.95'
D	5	1'43.31'	100.00'	12.77'	25.39'
D	6	2'24.18'	100.00'	20.17'	39.80'
B	7	0'41.52'	494.00'	41.91'	83.61'

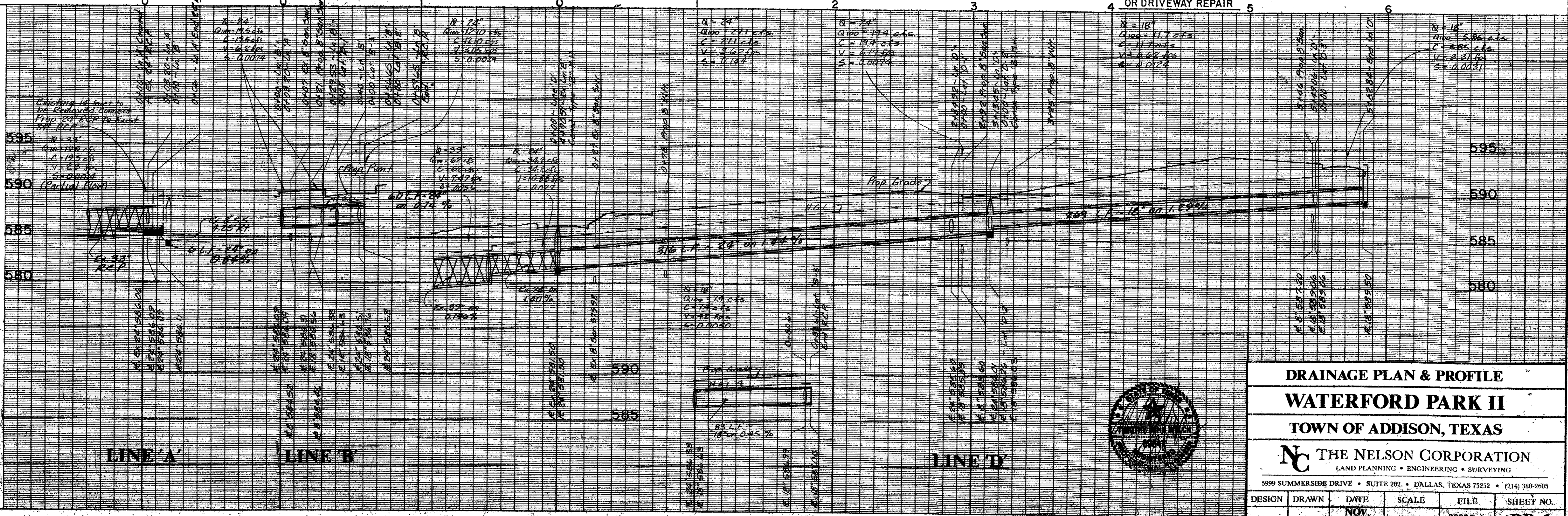
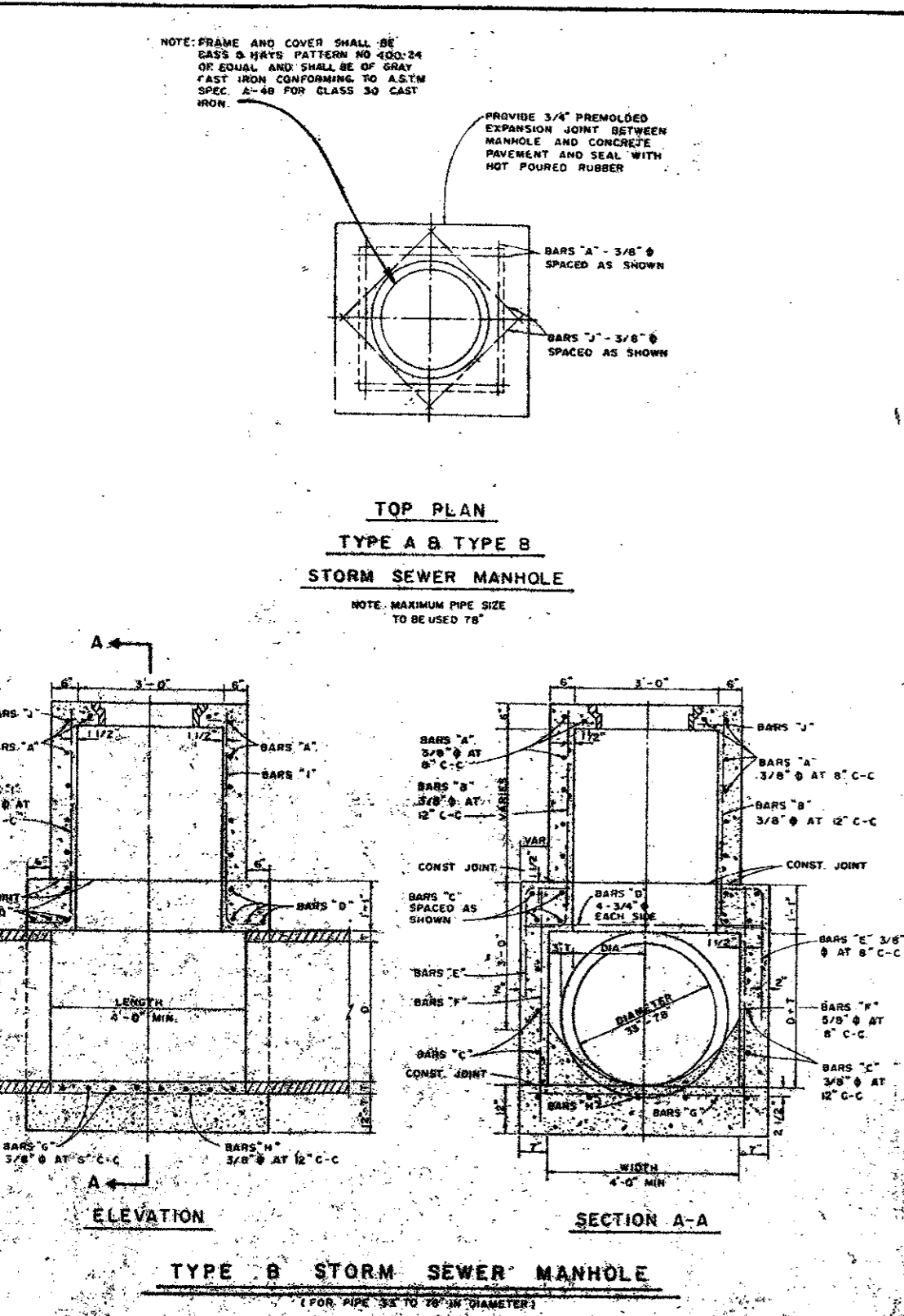
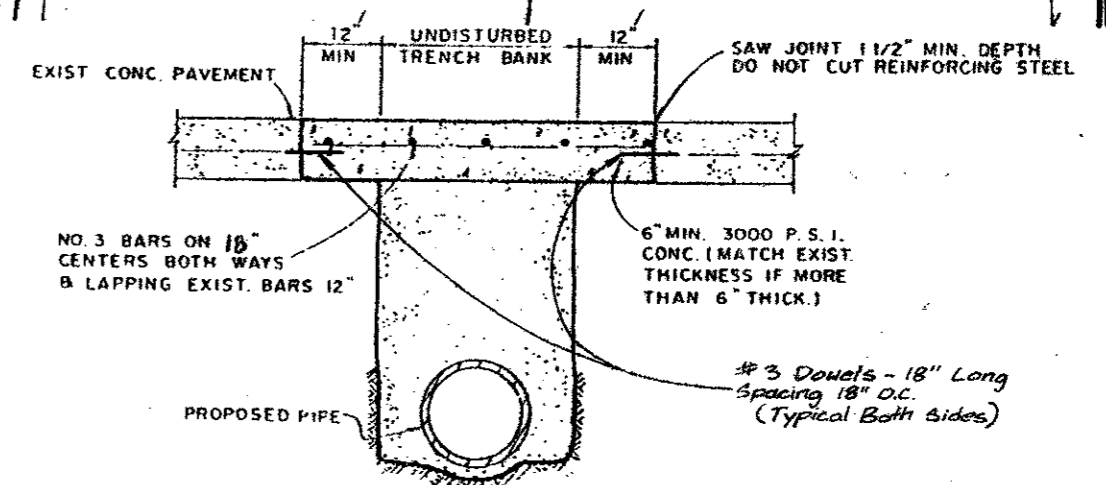
Sawcut, Remove & Replace Existing Conc. Pavement See Detail for Street Repair.



Revisions	Date	Description	Drawn By	Checked By



- DRAINAGE GENERAL NOTES**
- All reinforced concrete pipe shall be Class III unless otherwise noted.
 - The location of all utilities are taken from existing public records. The exact location must be determined by the Contractor. It is the duty of the Contractor to ascertain whether any other facilities (addition), other than those on the plans may be present.
 - Embedment is subsidiary to R.C.P.
 - All backfill shall be compacted to 95% Standard Proctor Density in a maximum of 8" loose lifts. Moisture shall be from 0 to +3% of optimum.
 - No precast inlets are allowed.
 - All work and materials shall be in accordance with the Town of Addison Standards and Specifications and to contract specifications and documents.
 - All curved storm sewers having a radius of less than 200 feet shall be constructed with factory beveled joints. No joints will be allowed to have a tongue exposed by more than one-half.



DRAINAGE PLAN & PROFILE
WATERFORD PARK II
 TOWN OF ADDISON, TEXAS

THE NELSON CORPORATION
 LAND PLANNING • ENGINEERING • SURVEYING

5999 SUMMERSIDE DRIVE • SUITE 202 • DALLAS, TEXAS 75252 • (214) 380-2605

DESIGN	DRAWN	DATE	SCALE	FILE	SHEET NO.
		NOV. 1998	1"=40' H 1"=6' V	90025-6	DR-1

LAT. B-3