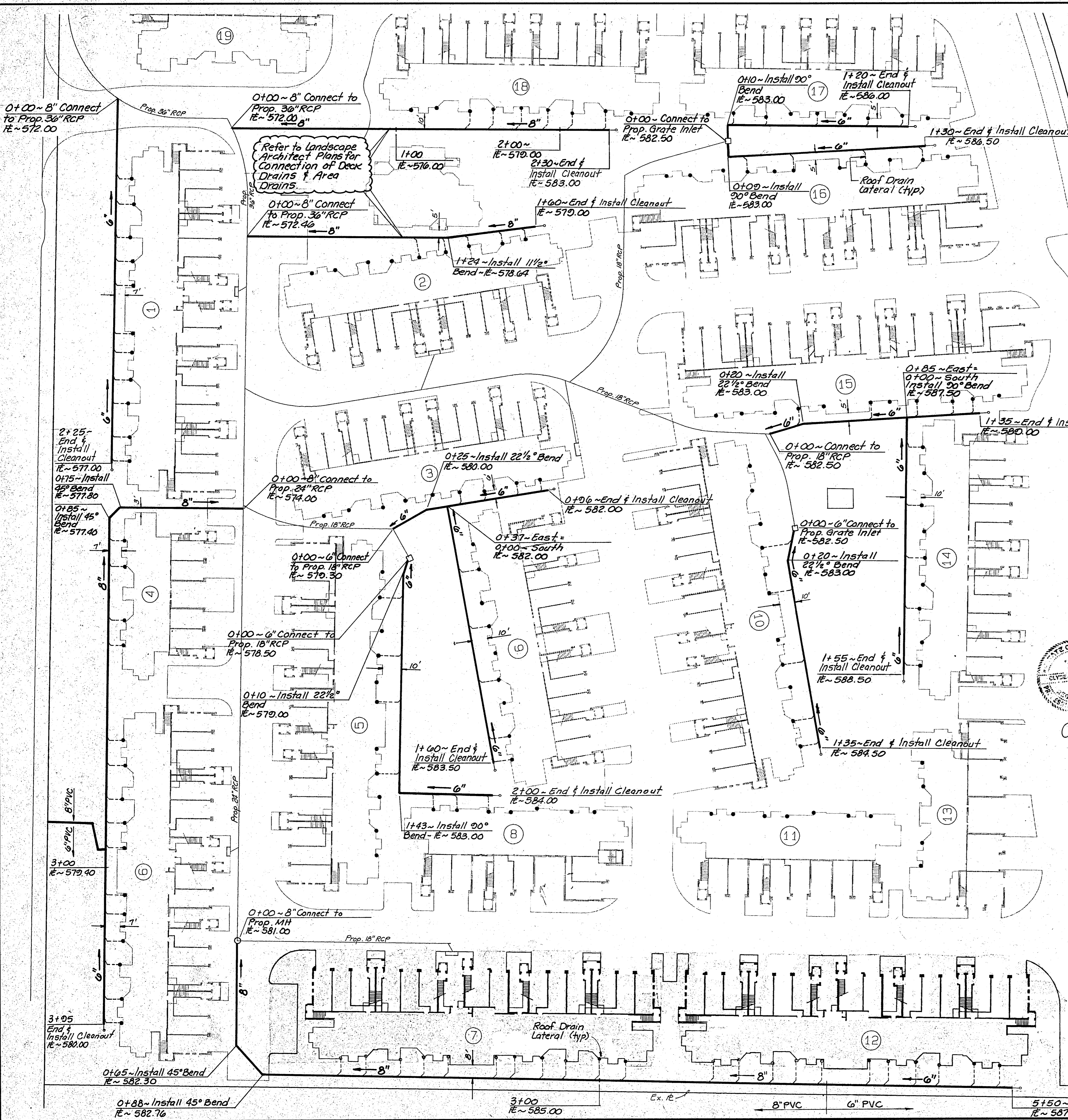


THE NELSON CORPORATION • DALLAS, TEXAS

REVISION	DATE	DESCRIPTION	DRAWN BY	CHECKED BY

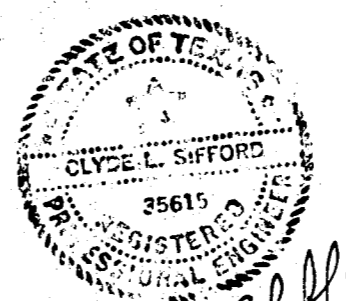
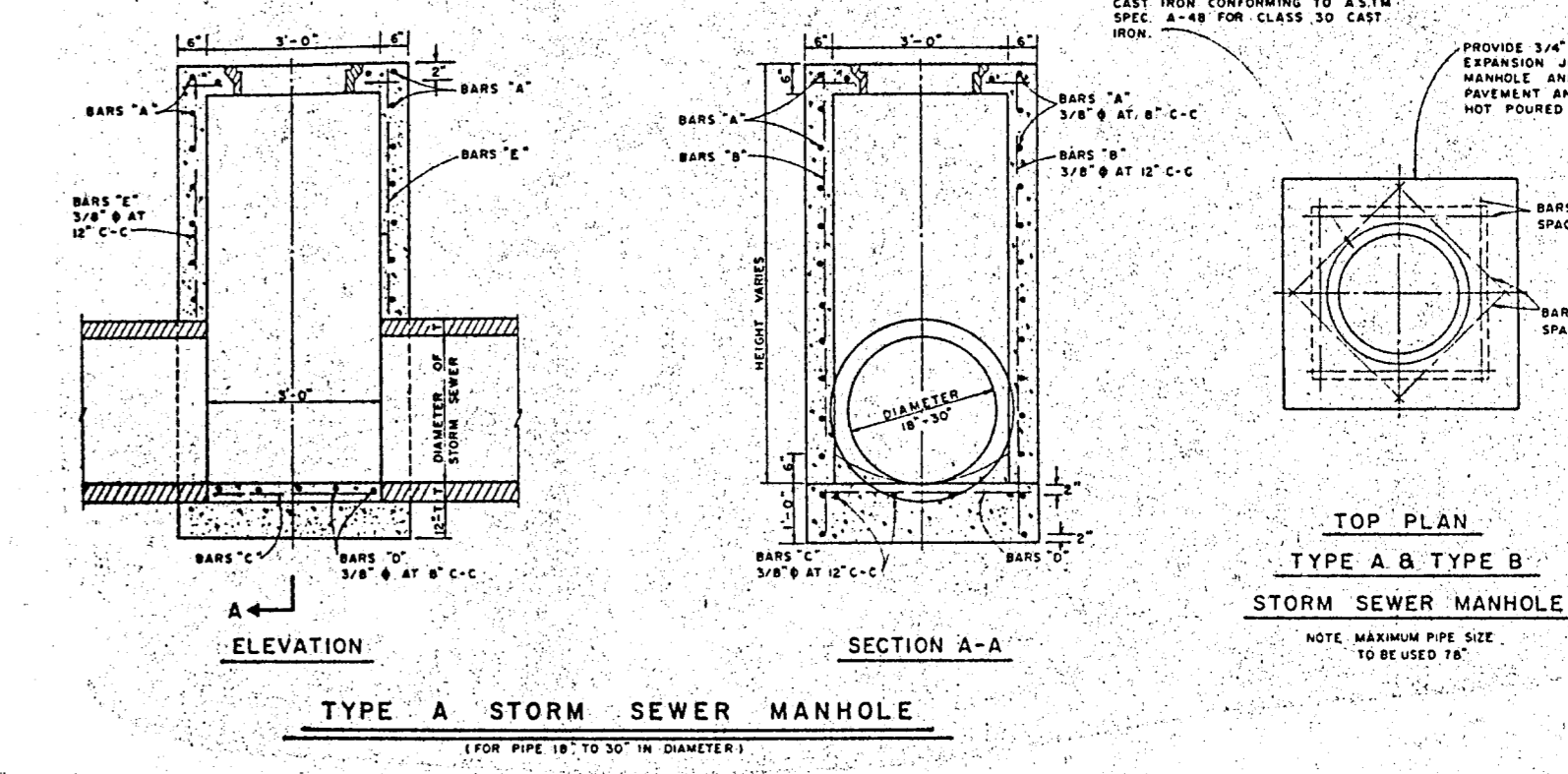
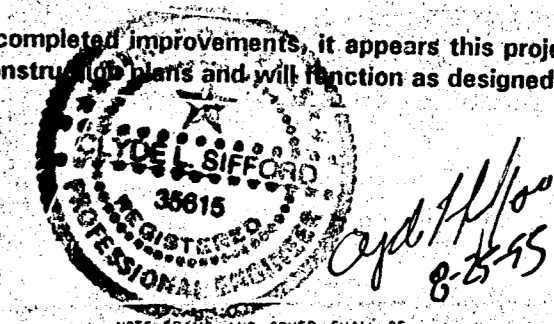


- GENERAL NOTES FOR ROOF DRAINS**
- Unless otherwise noted, all material and construction shall conform to the applicable specifications of the Town of Addison with amendments, the North Central Council of Governments "Standard Specifications for Public Works Construction," Parts II & III, latest edition.
 - All roof drain pipe and fittings will be PVC white schedule 40 pipe sized and installed as noted. Embedment will be Class I (see attached details).
 - All roof drain laterals will be a minimum of 4" in diameter and installed on a grade of not less than 1%.
 - Refer to architects' building plan to verify locations of roof drains prior to installation of roof drains laterals. Most project roof drains will simply drain into paved areas. Roof drain pipes are designed to handle roof drain lateral connections as noted on the plan. Do not connect any other roof drain laterals to the proposed roof drain lines.
 - Minimum compaction adjacent to and above roof drains will be 95% with moisture 1% to 3% wet of optimum under all pavement. Compaction in other areas will be 90%. Lifts will not exceed 6" and results will be obtained by Ramex, hand tamping or as approved in writing by the owner's representative.
 - Refer to Landscape Architect plan for location and connection of pool deck drains (DD & AD) to roof drain line.
 - All cleanouts will be marked storm drain.

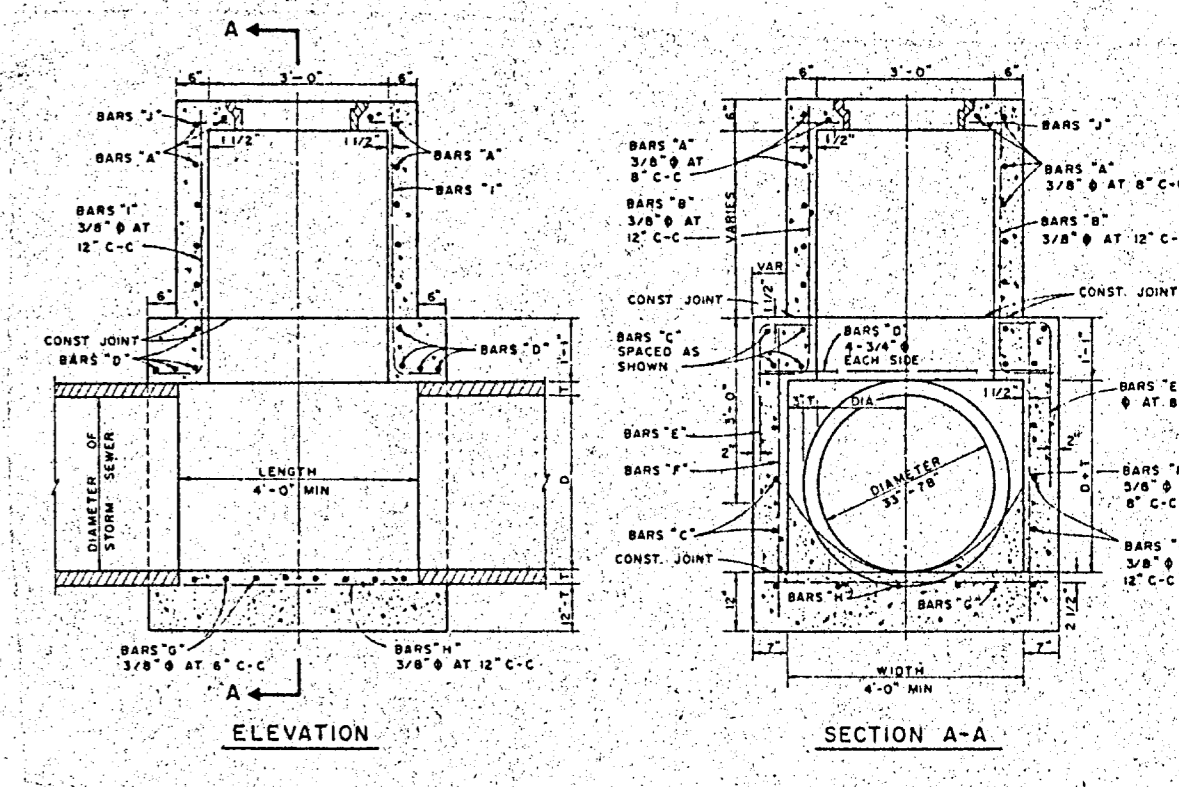
AS BUILTS

Based on visual inspection of the completed improvements, it appears this project was constructed in general conformance with these construction plans and will function as designed.

Clyde L. Sifford, P.E.
THE NELSON CORPORATION
6999 Summerside Drive, Suite 202
Dallas, Texas 75252



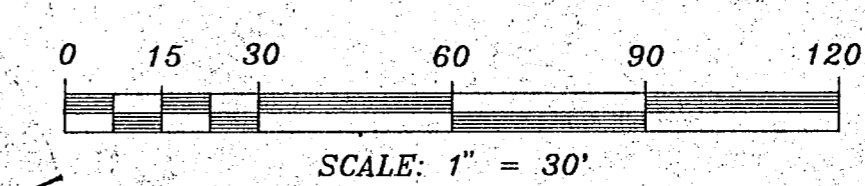
Clyde Sifford
3-14-94



LEGEND

- ROOF DRAIN LINE ———— 6"
- ROOF DRAIN LATERAL ———— 6"
- DOWNSPOUT LOCATION •

BENCHMARKS:
 SQUARE CUT ON CENTERLINE OF 14" INLET AT THE N.E. CORNER OF THE INTERSECTION OF BELTWAY DRIVE AND MARSH LANE. ELEVATION 585.20
 SQUARE CUT IN CENTER OF THIRD INLET WEST OF THE EAST ADDITION LINE OF WATERFORD PARK II AND ON THE NORTH SIDE LES LACS AVENUE. ELEVATION 587.61



ROOF DRAIN PLAN

WATERFORD COURT APARTMENTS

TOWN OF ADDISON, TEXAS

Date: MARCH 7, 1994	Scale: 1" = 30'	Sheet: 10
Drawn By: TNC	Approved By: TNC	Project No.: 86126.10

THE NELSON CORPORATION
 PLANNING • ENGINEERING • SURVEYING
 LANDSCAPE ARCHITECTURE • CONSTRUCTION MANAGEMENT
 6999 SUMMERSIDE DRIVE SUITE 202 • DALLAS, TEXAS 75252 • (214) 380-2605