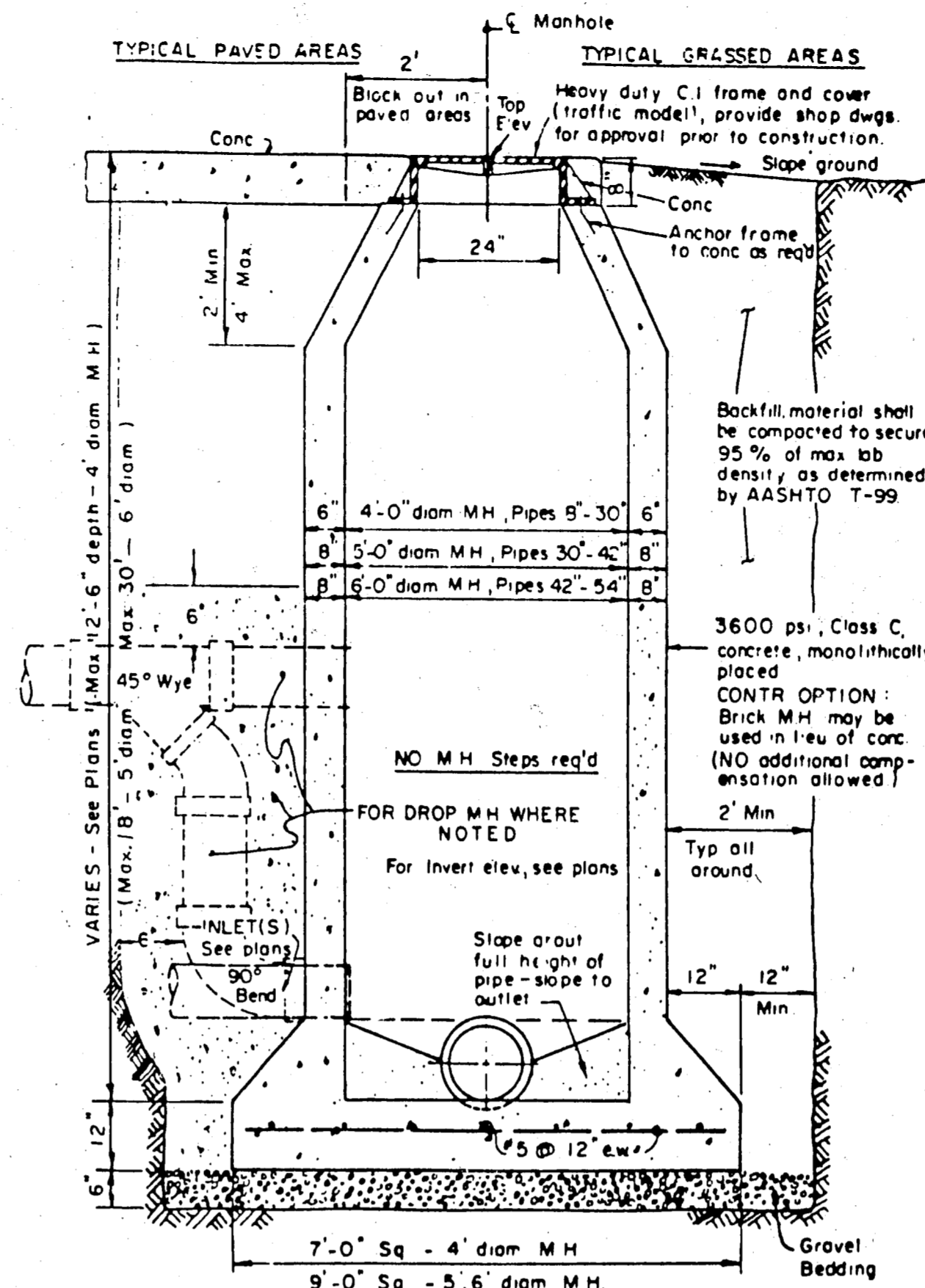
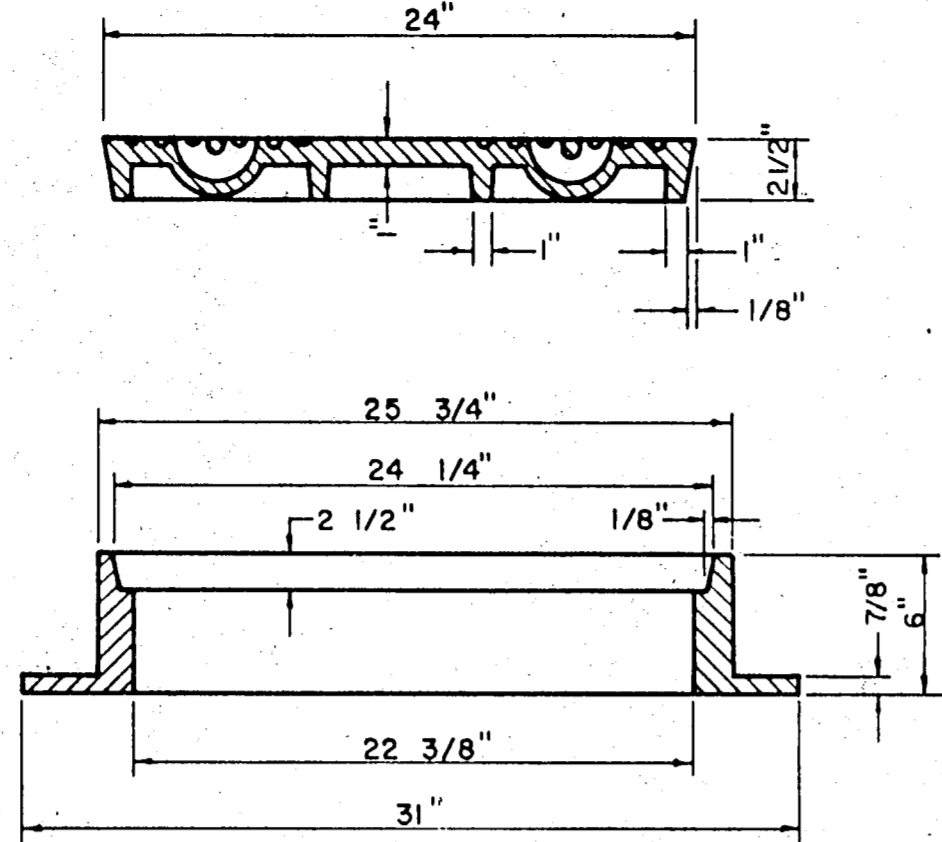


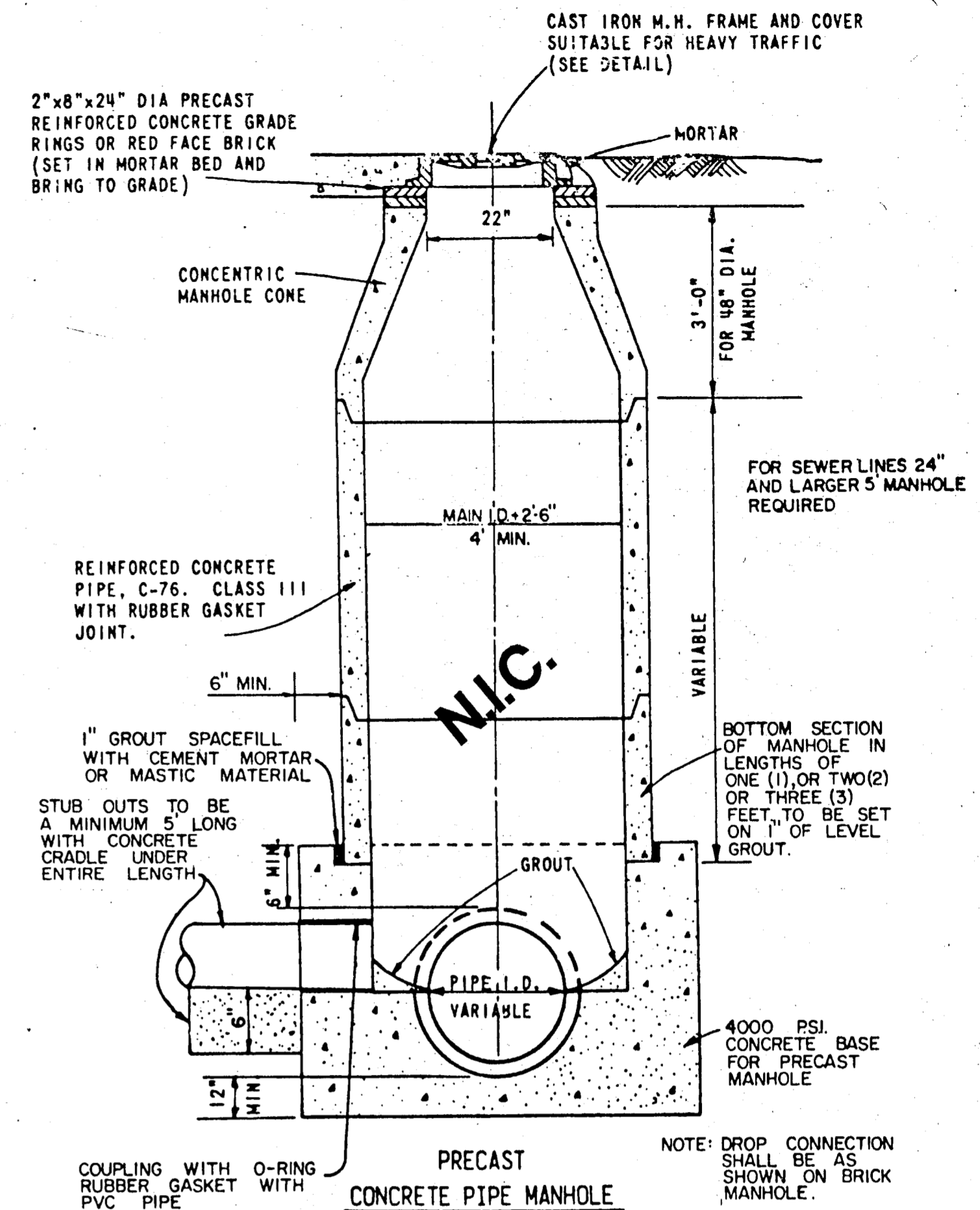
APPROX. WEIGHT RING AND COVER 385 LBS.

CAST IRON GRATE AND FRAME DETAIL



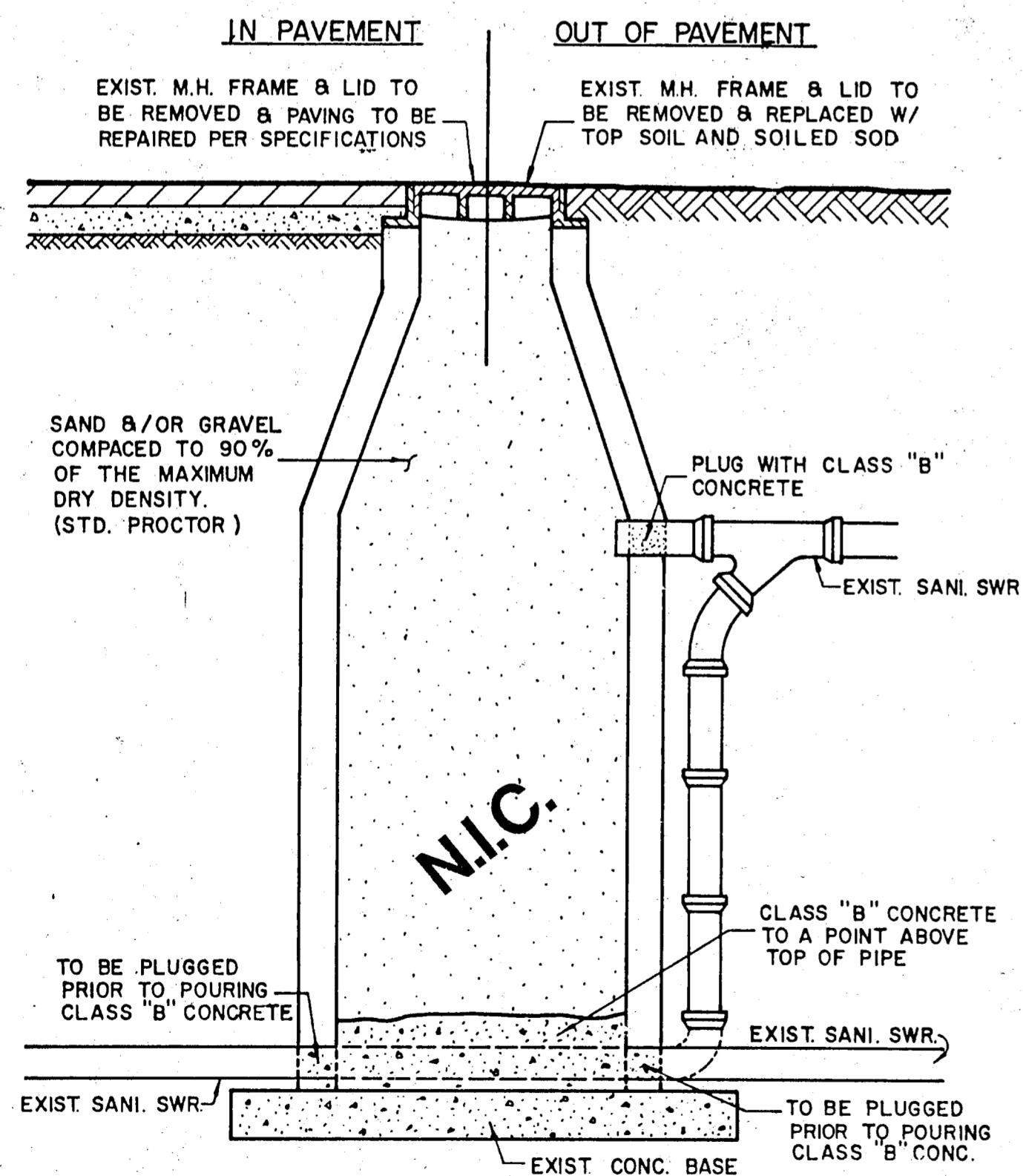
CAST IN PLACE MANHOLE

WHERE DROP M.H. IS REQUIRED, USE INSIDE DROP CONNECTION AS PER TOWN OF ADDISON STANDARDS.

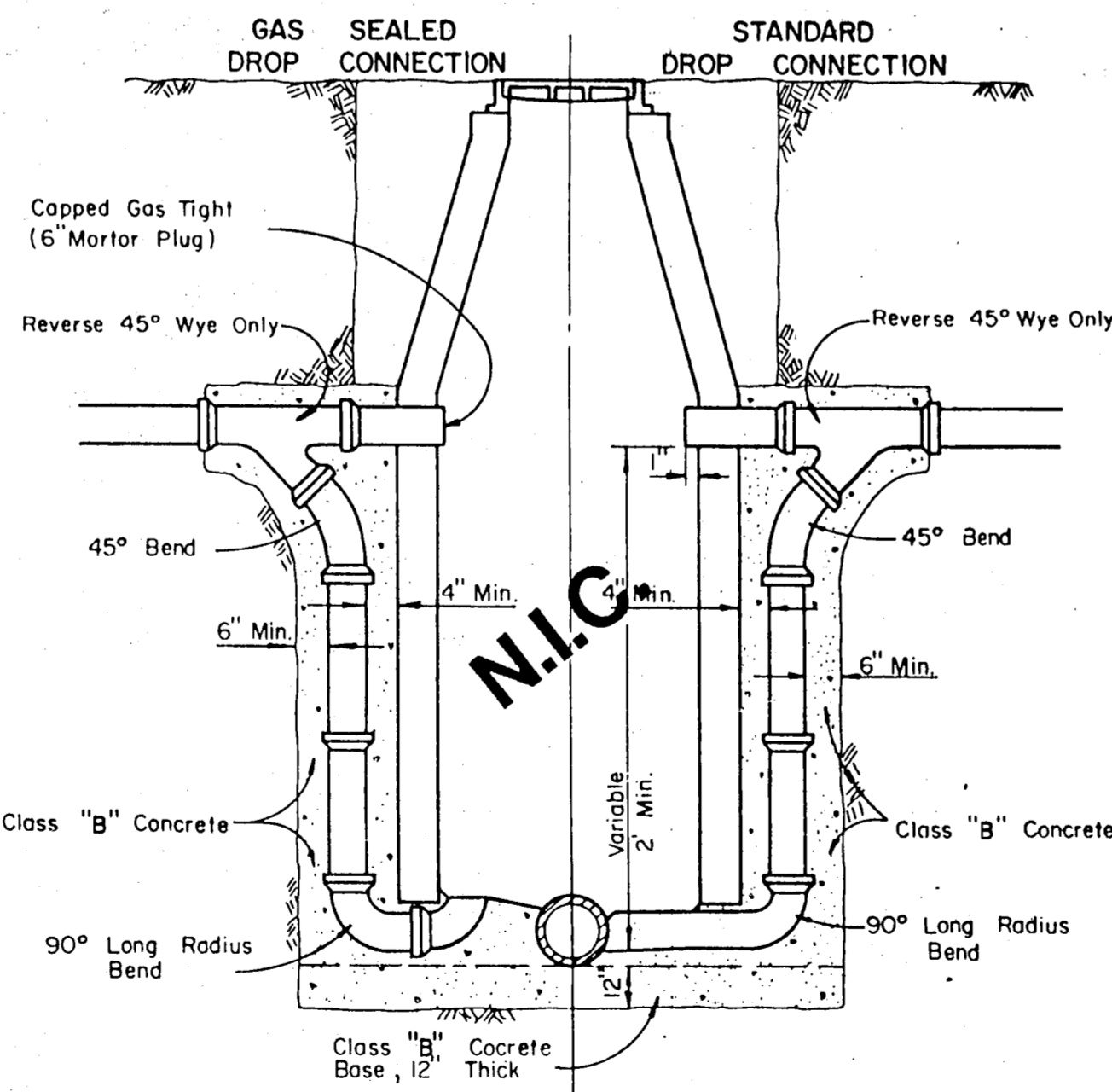


PRECAST MANHOLE

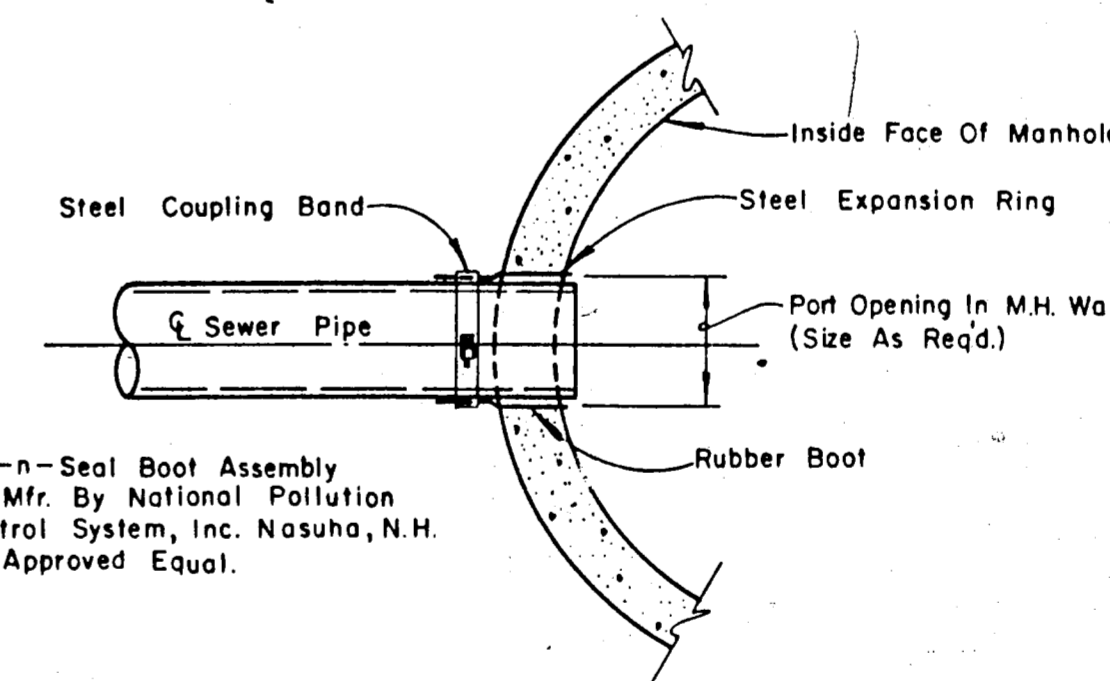
PRECAST MANHOLE



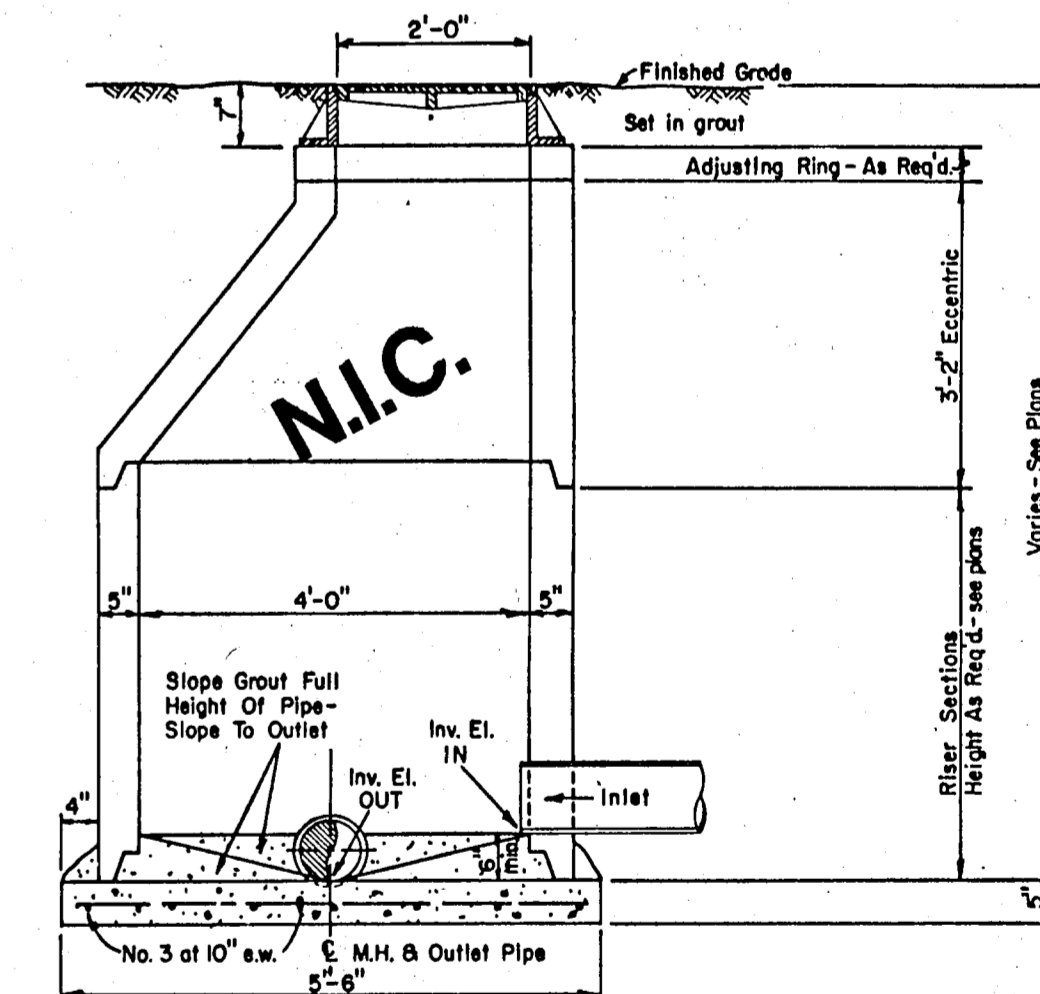
ABANDONMENT OF EXISTING MANHOLE IN AND OUT OF PAVEMENT



DROP CONNECTIONS FOR SANITARY SEWER MANHOLES



TYPICAL SEWER CONNECTION AT MANHOLE



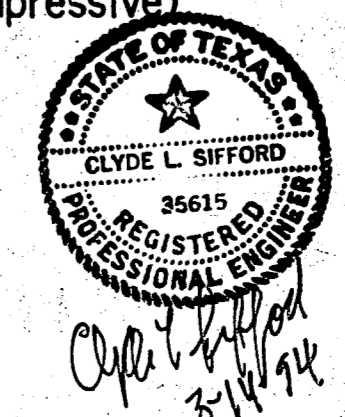
ECCENTRIC MANHOLE DETAIL

NOTE: Contractor To Install Kor-n-Seal Boot Assembly Per Mfr. Recommendations In A Neat And Workman-Like Manner.

AS BUILTS CLASS B Conc. - 2000psi at 28 days (Compressive)

Based on visual inspection of the completed improvements, it appears this project was constructed in general conformance with these construction plans and will function as designed.

Clyde L. Sifford, P.E.
THE NELSON CORPORATION
5899 Summerside Drive, Suite 202
Dallas, Texas 75252



STANDARD CONSTRUCTION DETAILS

**WATERFORD COURT
TOWN OF ADDISON, TEXAS**

Date: NOV., 1993	Scale: AS SHOWN	SHEET 13 OF
Drawn By: TNC	Approved By: TNC	SHEETS

THE NELSON CORPORATION
LAND PLANNING • ENGINEERING • SURVEYING
5999 SUMMERSIDE DRIVE • SUITE 202 • DALLAS, TEXAS 75252 • (214) 380-2605